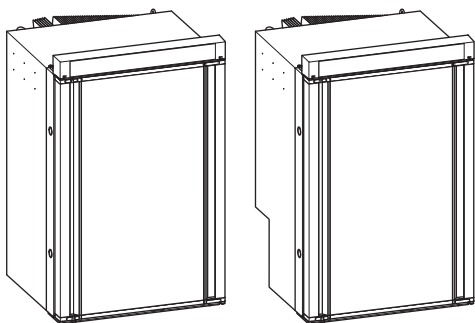


↗ DOMETIC REFRIGERATION 10-SERIES



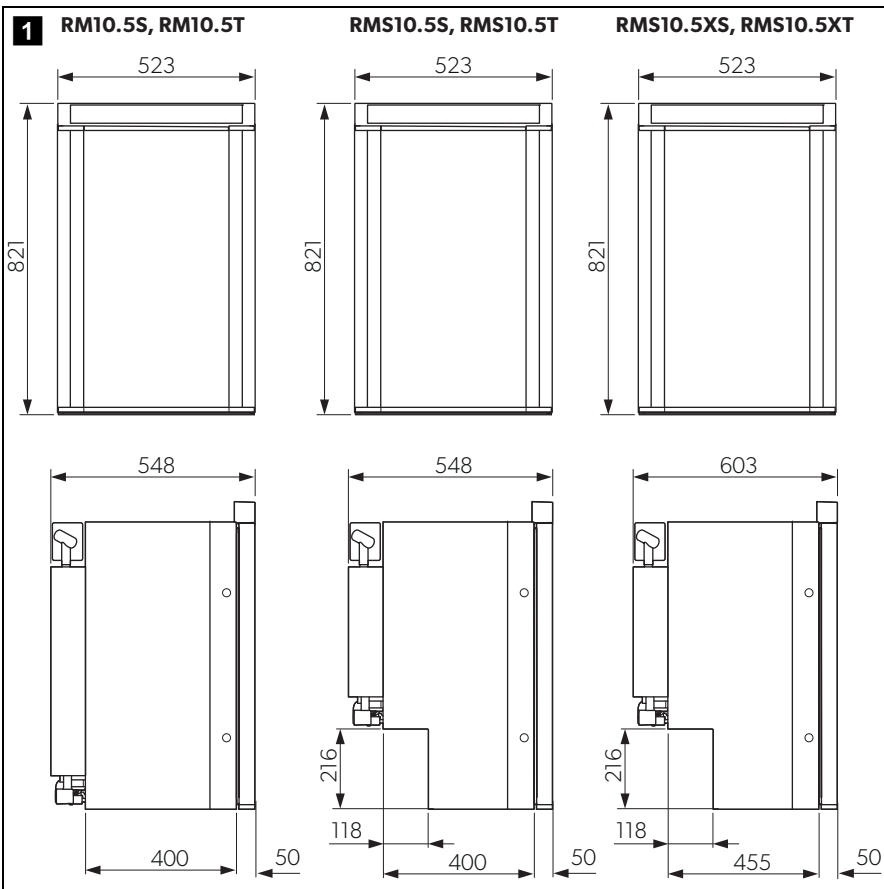
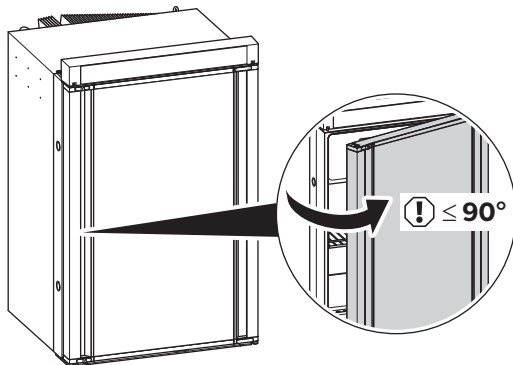
RM10.5(S)(T), RMS10.5(X)(S)(T)

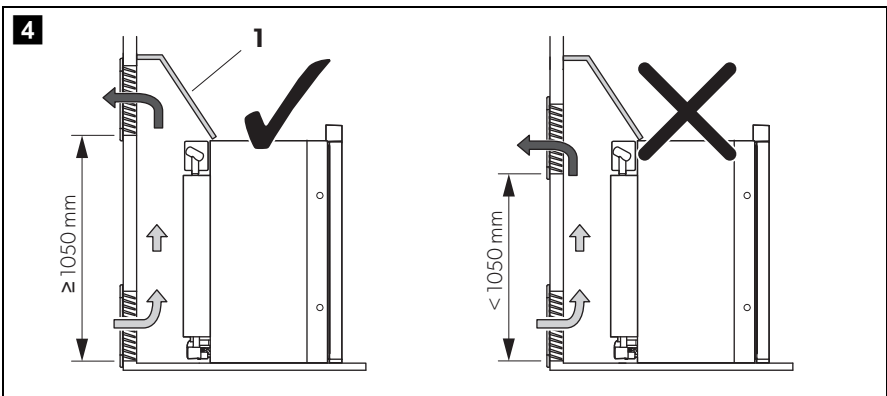
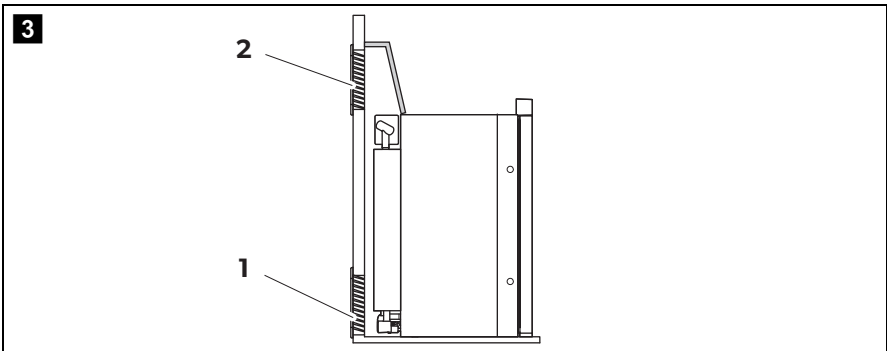
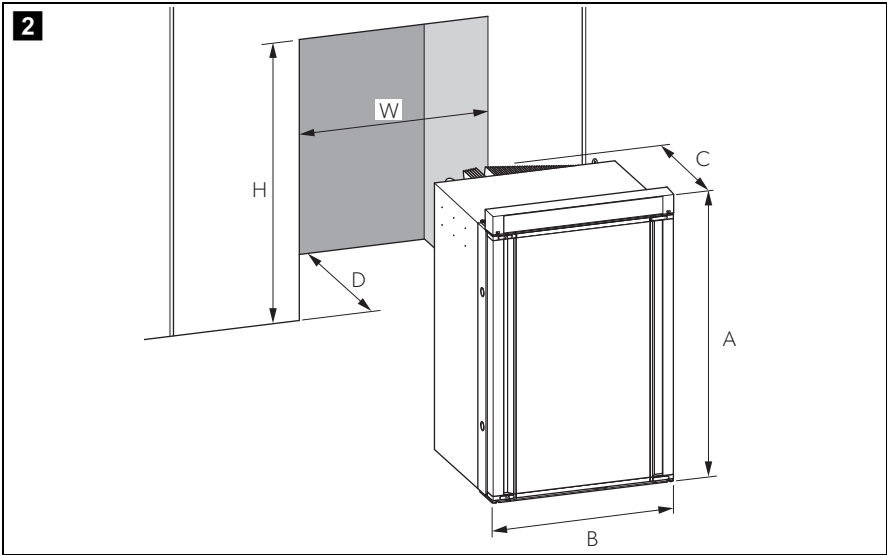
EN	Absorber refrigerator Installation Manual	14
DE	Absorber-Kühlschrank Montageanleitung	29
FR	Réfrigérateur à absorption Instructions de montage	45
ES	Nevera con extractor Instrucciones de montaje	61
PT	Frigorífico de absorção Instruções de montagem	77
IT	Frigorifero ad assorbimento Indicazioni di montaggio	93
NL	Absorptiekoelkast Montagehandleiding	109
DA	Absorber-køleskab Monteringsvejledning	125
SV	Absorptionskylskåp Monteringsanvisning	141

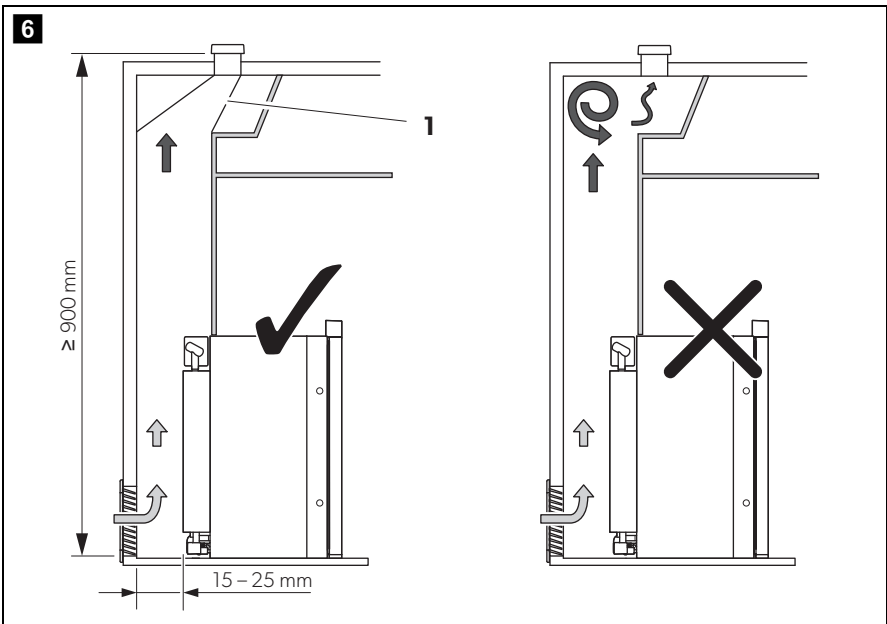
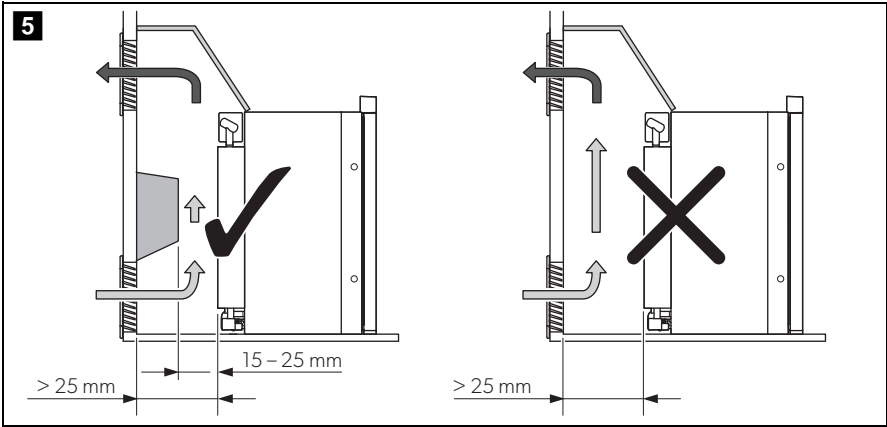
NO	Absorbsjons-kjøleskap Monteringsanvisning	155
FI	Absorptiojääkaappi Asennusohje	169
RU	Абсорбционный холодильник Инструкция по монтажу	184
PL	Lodówka absorpcyjna Instrukcja montażu	200
SK	Absorpčná chladnička Návod na montáž	216
CS	Absorpční lednička Návod k montáži	232
HU	Abszorberes hűtőszekrény Szerelési útmutató	248
SL	Absorpcijski hladilnik Navodilo za montažo	264
EL	Ψυγείο υγραερίου/ρεύματος Οδηγίες τοποθέτησης	279

© 2020 Dometic Group. The visual appearance of the contents of this manual is protected by copyright and design law. The underlying technical design and the products contained herein may be protected by design, patent or be patent pending. The trademarks mentioned in this manual belong to Dometic Sweden AB. All rights are reserved.

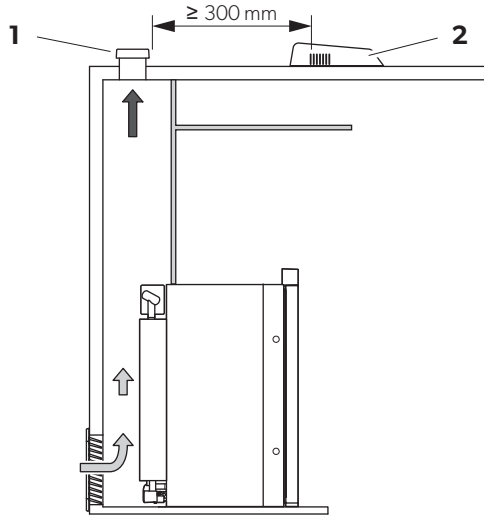
NOTICE

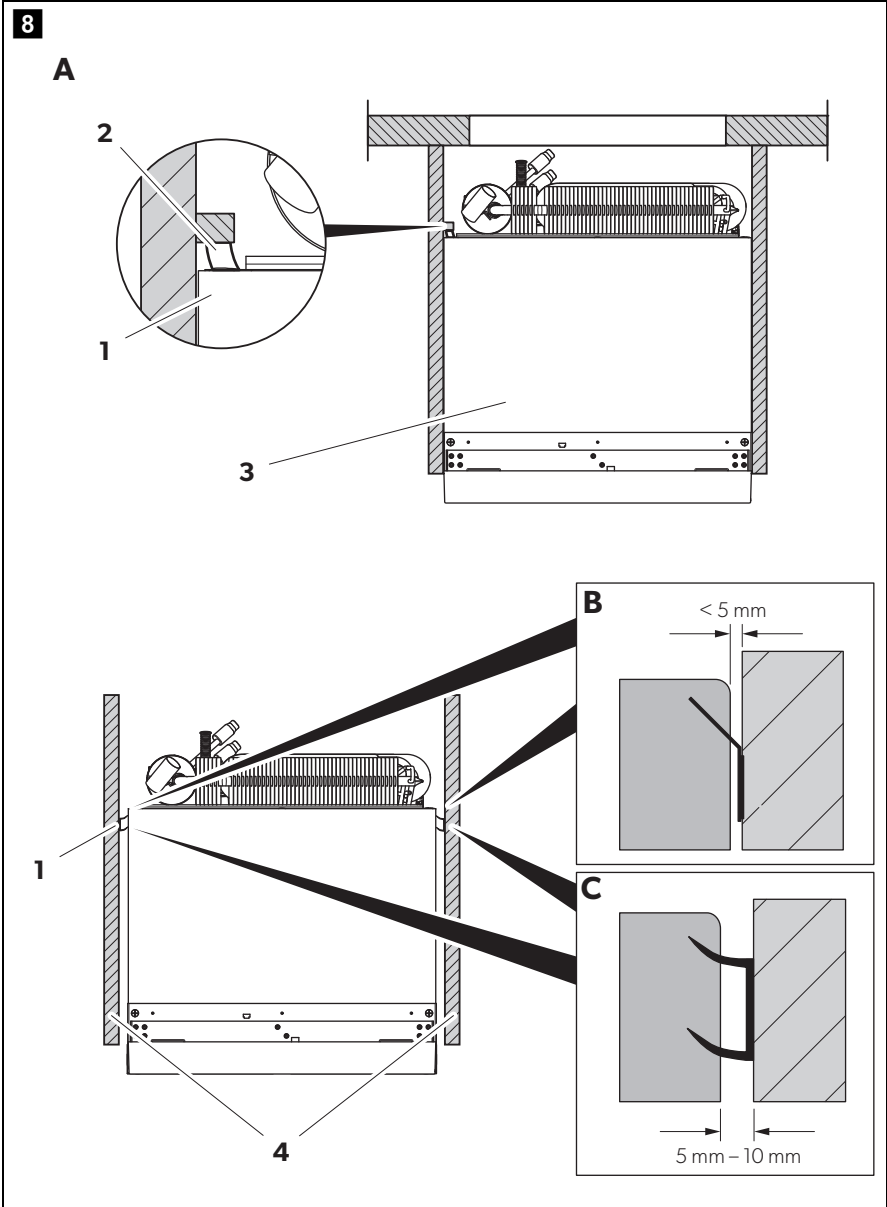


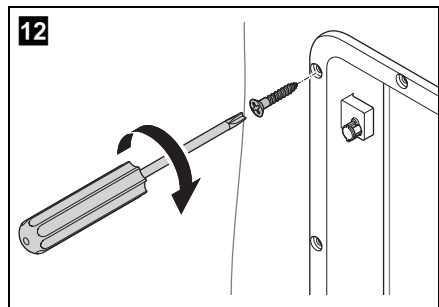
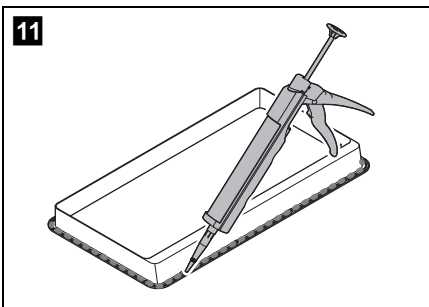
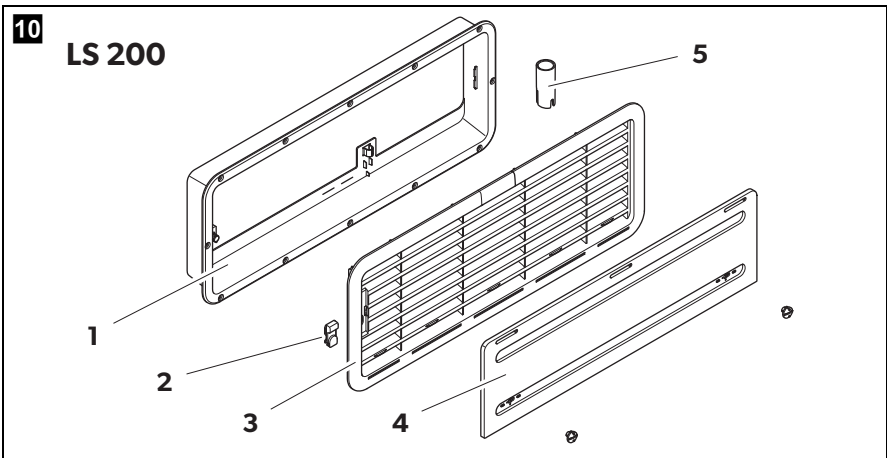
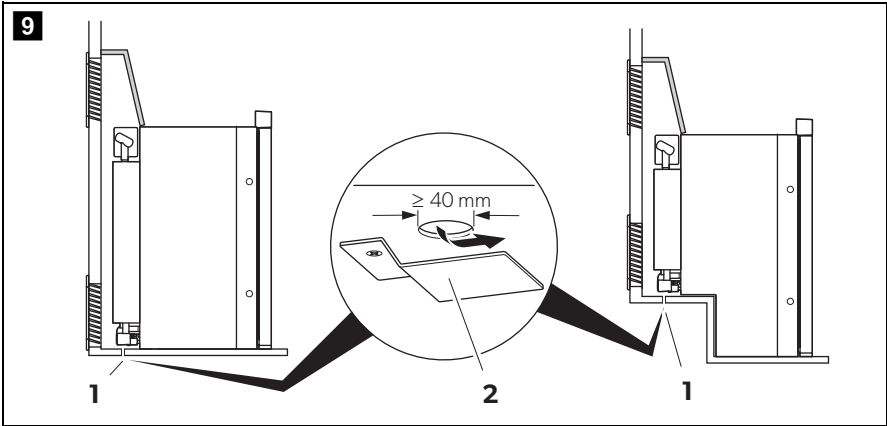


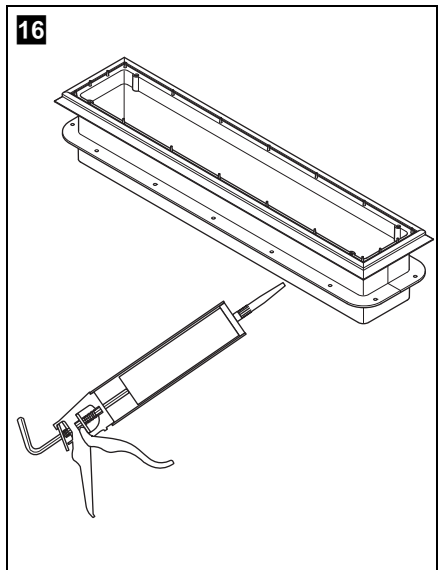
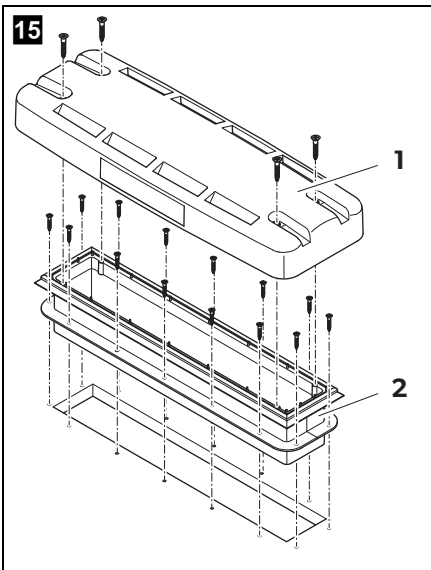
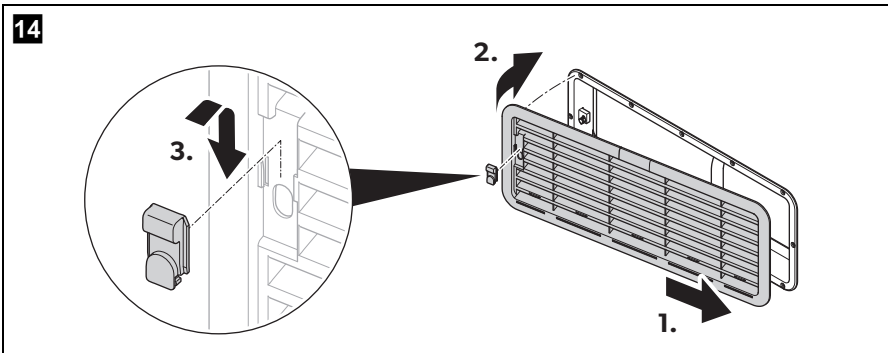
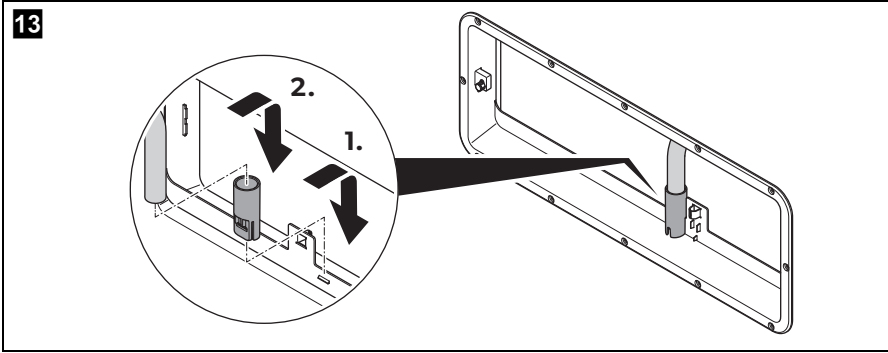


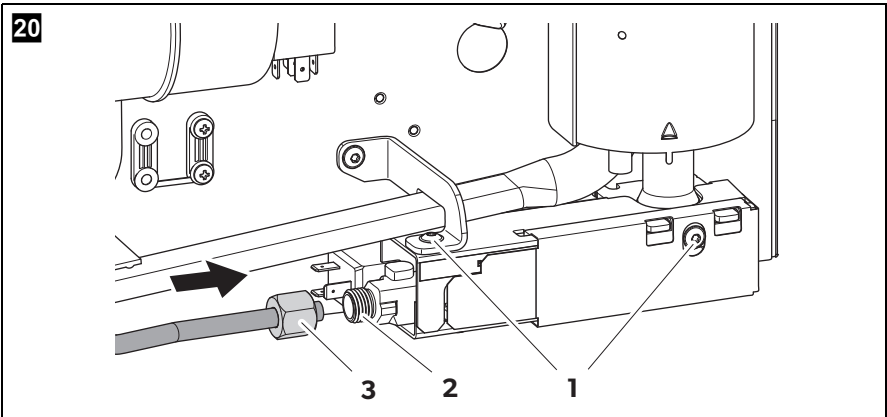
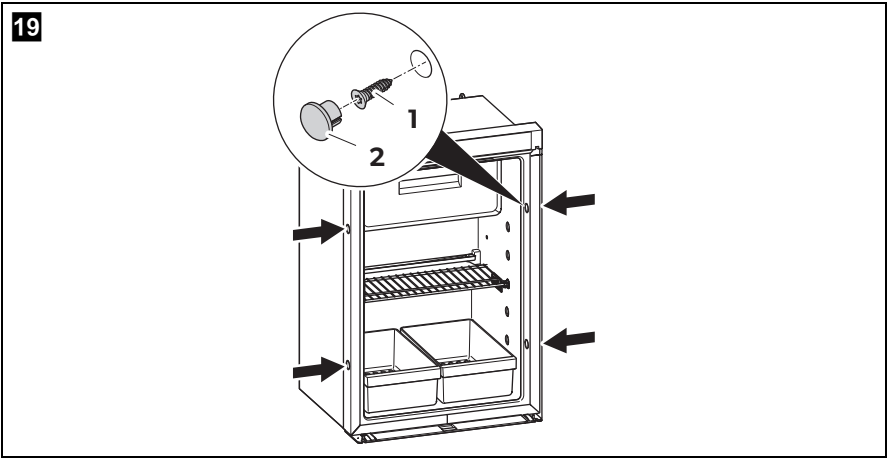
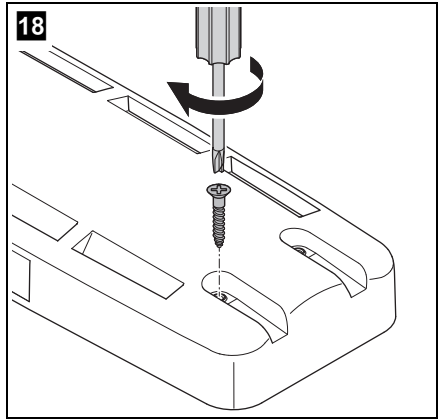
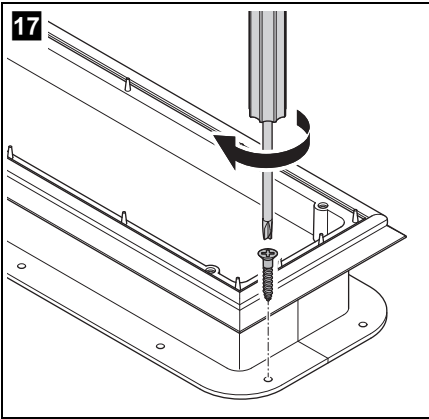
7

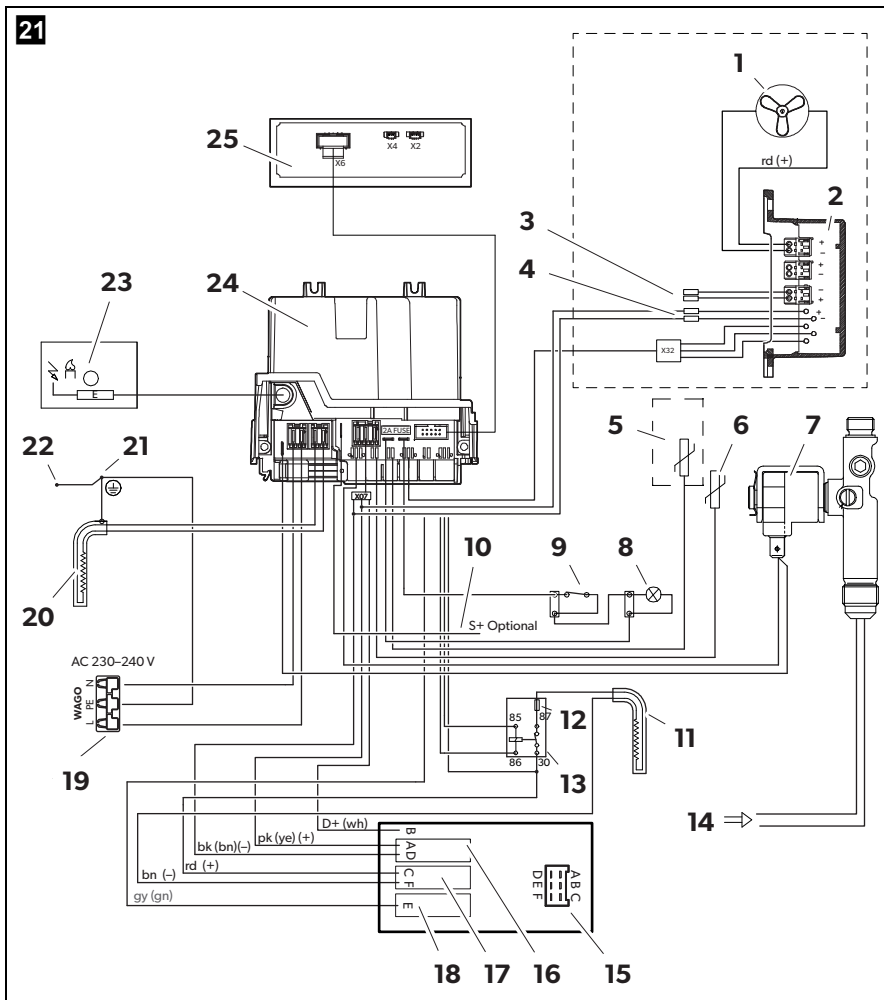








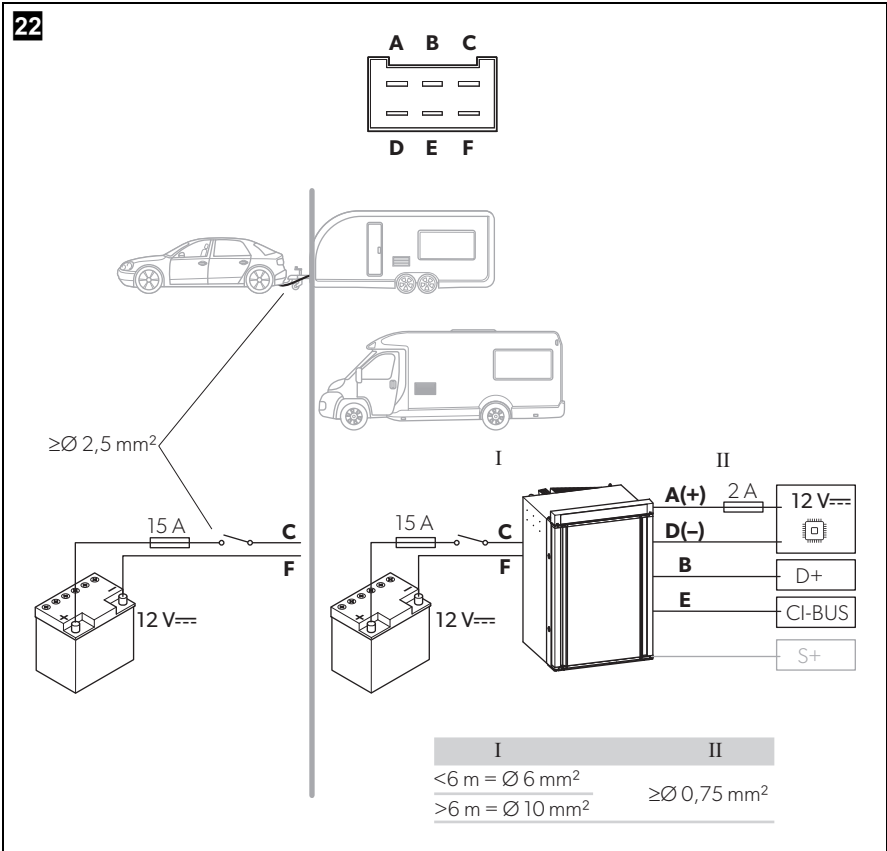




	bk	bn	bu	rd	pk	vt	wh
EN	Black	Brown	Blue	Red	Pink	Violet	White
DE	Schwarz	Braun	Blau	Rot	Pink	Violett	Weiß
FR	Noir	Marron	Bleu	Rouge	Rosa	Violeta	Blanc
ES	Negro	Marrón	Azul	Rojo	Rose	Lila	Blanco
PT	Preto	Castanho	Azul	Vermelho	Cor de rosa	Violeta	Branco
IT	Nero	Marrone	Blu	Rosso	Rosa	Violetto	Bianco

	bk	bn	bu	rd	pk	vt	wh
NL	Zwart	Bruin	Blauw	Rood	Roze	Paars	Wit
DA	Sort	Brun	Blå	Rød	Lysrøde	Violet	Hvid
SV	Svart	Brun	Blå	Röd	Rosa	Violett	Vit
NO	Svart	Brun	Blå	Rød	Rosa	Fiolett	Hvit
FI	Musta	Ruskea	Sininen	Punainen	Pinkki	Violetti	Valkoinen
RU	Черный	Коричневый	Синий	Красный	Розовый	Фиолетовый	Белый
PL	Czarny	Brazowy	Niebieski	Czerwony	Różowy	Fioletowy	Biały
SK	Čierna	Hnedá	Modrá	Červená	Ružová	Fialová	Biela
CS	Černá	Hnědá	Modrá	Červená	Růžová	Fialová	Bílá
HU	Fekete	Barna	Kék	Piros	Rózsaszín	Ibolya	Fehér
SL	Črna	Rjav	Moder	Rdeč	Roza	Vijolična	Bel
EL	Μαύρος	Καφέ	Μπλε	Κόκκινος	ροζ	βιολέτα	Άσπρος

22



Please read this instruction manual carefully before installation and first use, and store it in a safe place. If you pass on the product to another person, hand over this instruction manual along with it.



NOTE

You can find details on the operation in the operating manual.

Table of contents

1	Explanation of symbols	14
2	Safety instructions	15
3	Accessories	17
4	Installing the refrigerator	17
5	Connecting the refrigerator	24
6	Technical data	28

1 Explanation of symbols



WARNING!

Safety instruction: Indicates a hazardous situation that, if not avoided, could result in death or serious injury.



CAUTION!

Safety instruction: Indicates a hazardous situation that, if not avoided, could result in minor or moderate injury.



NOTICE!

Indicates a situation that, if not avoided, can result in property damage.



NOTE

Supplementary information for operating the product.

2 Safety instructions

The manufacturer accepts no liability for damage in the following cases:

- Faulty assembly or connection
- Damage to the product resulting from mechanical influences and incorrect connection voltage
- Alterations to the product without express permission from the manufacturer
- Use for purposes other than those described in the operating manual



WARNING! Failure to obey these warnings could result in death or serious injury.

Explosion hazard

- Never open the absorber unit. It is under high pressure and can cause injury if it is opened.
- **Only** operate the device at the pressure shown on the type plate. Only use pressure controllers with a fixed setting which comply with the national regulations (in Europe EN 12864).

Fire hazard

- Ensure clean and residue-free handling if silicon sealant or similar is used. There is a risk of fire if silicone filaments come into contact with hot parts or naked flames.
- Never use a naked flame to check the device for leaks.
- Only use propane or butane gas (**not** natural gas).

Health hazard

- Do not operate the device if it is visibly damaged.
- If the AC power cable for this device is damaged, it must be replaced by the manufacturer, customer service or a similarly qualified person in order to prevent safety hazards.
- This device may only be repaired by qualified personnel. Inadequate repairs may cause serious hazards.

Risk of asphyxiation

- Dismantle all device doors for the disposal of the old device and leave the shelves in the device to prevent accidental enclosure and suffocation.



CAUTION! Failure to obey these cautions could result in minor or moderate injury.

Electrical shock

- Before starting the device, ensure that the power supply line and the plug are dry.

Risk of crushing

- Do not put your fingers into the hinge.



NOTICE! Damage hazard

- Only hold the device at the body of the device during transport. Never hold the device at the absorber unit, the cooling fins, the gas pipes, the door or the control panel.

- Make sure that the device circuit is not damaged during transportation. The refrigerant in the device circuit is highly flammable.

In the event of any damage to the device circuit (smell of ammonia):

- Switch off the device if applicable.
 - Avoid naked flames and sparks.
 - Air the room well.
- Do not install the device near naked flames or other heat sources (heaters, direct sunlight, gas ovens etc.).
 - **Danger of overheating!**
Always ensure sufficient ventilation so that the heat generated during operation can dissipate. Make sure that the device is sufficiently far away from walls and other objects so that the air can circulate.
 - Check that the voltage specification on the type plate is the same as that of the power supply.
 - Do not open the refrigerant circuit under any circumstances.
 - Only use the AC connection cable supplied to connect the device to the AC mains.
 - Only use cables with a suitable size.
 - Never pull the plug out of the socket by the connection cable.
 - The device may not be exposed to rain.

3 Accessories

Description

Flexible gas piping

Seal for draft-proof installation for gaps of 1 – 5 mm (fig. **8 B**, page 6)

Seal for draft-proof installation for gaps of 5 – 10 mm (fig. **8 C**, page 6)

Winter cover WA 130 for the ventilation grill LS 200

Adapter cable

- WAGO to CEE
- WAGO to UK
- WAGO to JST
- WAGO to MATE-N-LOK

Optional Fan Kit REF-FANKIT

Optional Battery pack Pack R10-BP for stand-alone gas operation

Optional storage kit

4 Installing the refrigerator



CAUTION! Health hazard

To avoid a hazard due to instability of the device, it must be fixed in accordance with the instructions.



You find the instructions manual for changing the door stop and the decorative plate online at:
 "dometic.com/manuals".

The device is suitable for installation in:

- caravans
- motor homes

4.1 Preparing the installation



NOTICE!

- The refrigerator may not be installed in the rear of mobile homes with the door pointing in the direction of travel.
- Use exclusively original Dometic ventilation grills to ensure safe operation.

When installing the refrigerator, note the following:

- Ensure that the floor is solid and level.
Park the vehicle horizontally for this purpose.
- Ensure that the refrigerator is level.
- The refrigerator must be installed so that
 - it is easily accessible for service work
 - easy to de-install and install
 - can be easily removed from the vehicle
- The refrigerator must be installed in a recess so that it stands secure when the vehicle is in motion. Note the following dimensions (fig. **1**, page 3 and fig. **2**, page 4):

	RM10.5(S)(T)	RMS10.5(S)(T)	RMS10.5X(S)(T)
Refrigerator	Overall dimension in mm		
Height (A)	821	821	821
Width (B)	523	523	523
Depth (C) (excludes control knob 5 mm)	548	548	603
Recess	Dimension in mm		
Height (H)	≥824	≥824	≥824
Width (W)	≥525.5	≥525.5	≥525.5
Depth (D)	≥563	≥563	≥618

- The outer wall must be fitted with an air inlet vent (fig. **3** 1, page 4) and an outlet vent (fig. **3** 2, page 4) with ventilation grills so that the heat generated can be easily released to the outside:
 - Air inlet vent: Fit ventilation grill as flush as possible with the base of the installation niche.
 - Outlet vent: fit as far above the refrigerator as possible.
 - The distance between the air inlet and outlet vents must be at least 1050 mm (fig. **4**, page 4).
- Fit a heat conduction plate (fig. **4** 1, page 4) above the refrigerator so that the heat does not accumulate in the vehicle.
- The distance between the refrigerator and the rear wall must be at least 15 mm but no more than 25 mm.
- A distance of more than 25 mm between the refrigerator and rear wall leads to poor performance and increases the power consumption of the refrigerator. Reduce the space behind the refrigerator to create adequate air inlet and outlet ventilation (fig. **5**, page 5). Use a ventilation plate, for example, to do this.
- If the minimum distance between the air inlet and outlet vents cannot be met, a roof vent must be installed instead of the air outlet vent.
 - The roof vent should be installed directly above the back of the refrigerator as far as this is possible. Use an air duct (fig. **6** 1, page 5) if you need to install the roof vent offset; otherwise, heat will accumulate there.
 - The distance between the air inlet vent and the roof vent must be at least 900 mm (fig. **6**, page 5).
 - If a roof air conditioner is provided, the distance between the roof vent (fig. **7** 1, page 6) and the air outlet of the roof air conditioner (fig. **7** 2, page 6) must be at least 300 mm.
- The refrigerator must not be installed at the side of the air inlet and outlet vents as this leads to poor performance and increases the power consumption of the refrigerator.
- The air inlet and outlet vents must not be covered by vehicle parts (such as an open door or by installing accessories such as bicycle racks) while operating.
- Install the refrigerator so that it is protected from excessive heat, as this leads to poor performance and increases the power consumption of the refrigerator.
- The refrigerator must be installed in a draft-proof location.

4.2 Installing the refrigerator in a draft-proof location



WARNING! Fire hazard!

- Do not use flammable materials such as silicone sealants, foam or similar for the draft-proof installation.
- Position the device so that no connection cable is damaged or pinched.
- Do not use multiple sockets or portable power adapters behind the device.

Gas-powered refrigerators in caravans or motor homes must be installed in a draft-free location. This means that the combustion air is not extracted from the interior and the exhaust fumes are prevented from directly entering the living space.

A suitable seal must be fitted between the rear panel of the refrigerator and the interior of the vehicle.

The manufacturer recommends using a flexible seal to ease removal and installation for maintenance purposes.

Select one of the three versions for draft-proof installation (fig. **8**, page 7):

Stop bar behind the fridge (A)

- Glue a flexible sealing lip (**1**) to a stop bar (**2**) behind the refrigerator (**3**).
- Push the refrigerator-oven combination against the stop bar with the flexible sealing lips.
- ✓ The space behind the refrigerator is sealed to the interior of the vehicle.

Side gap distance of up to 5 mm between refrigerator and furniture (B)

- Glue the sealing lips (see chapter “Accessories” on page 17) on the side of the furniture (**4**).
- Push the refrigerator-oven combination against the flexible sealing lips on furniture.
- ✓ The space behind the refrigerator is sealed to the interior of the vehicle.

Side gap distance of 5 mm to 10 mm between refrigerator and furniture (C)

- Glue the double lipped sealing (see chapter “Accessories” on page 17) on the side of the furniture (**4**).

- Push the refrigerator-oven combination against the double lipped sealing on furniture.
- ✓ The space behind the refrigerator is sealed to the interior of the vehicle.

4.3 Making air inlet and outlet vents



NOTE

- Deviations from the inlet and outlet variations shown here must be approved by the manufacturer.
- At high ambient temperatures, the refrigerator can only provide its maximum cooling capacity if the optimum ventilation has been provided.

- Make an air inlet vent and an air outlet vent in the outer wall with the size of 451 mm x156 mm.

When doing so, observe the information, see chapter “Preparing the installation” on page 18.

If the ventilation grill of the air inlet vent cannot be installed flush with the floor of the niche, install an inlet vent in the floor. Any leaking gas can thus flow downwards.

- Make an air inlet vent of at least \varnothing 40 mm in the floor (fig. **9** 1, page 8) behind the refrigerator near the gas burner.
- Shield the outside of the opening with a deflector to prevent sludge or dirt from getting inside while driving (fig. **9** 2, page 8).

If you have to use a roof vent instead of the air outlet vent:

- Cut out a section in the roof. Refer to the roof vent instruction manual for the required dimensions.
When doing so, observe the information in chapter “Preparing the installation” on page 18.

4.4 Installing the ventilation grill



NOTE

Use exclusively original Dometic ventilation grills to ensure safe operation.

No. in fig. 10, page 8	Description
1	Installation frame
2	Ventilation grill
3	Slider
4	Winter cover for the ventilation grill (accessories)
5	Adapter for the condensation drain hose

- Seal the installation frame to make the connection waterproof (fig. 11, page 8).
- Insert the installation frame and screw it down tightly (fig. 12, page 8). Use all the fixing holes for this.
- Install the hose adapter as shown (fig. 13 1, page 9).
- Insert the ventilation grill as shown (fig. 14, page 9).

4.5 Installing condensation drain



NOTE

- Condensation can form inside the refrigerator due to frequent door opening, incorrectly stored food or food that is stored when it is too warm.
- Condensation must be drained with a constant slope.

Install the condensation drain as follows:

- Attach the condensation hose directly to the adapter on the ventilation grill (fig. 13 2, page 9).

4.6 Install the roof vent

No. in fig. 15 , page 9	Description
1	Hood
2	Installation frame

- ▶ Seal the installation frame to make the connection waterproof (fig. **16**, page 9).
- ▶ Insert the installation frame and screw it down tightly (fig. **17**, page 10). Use all the fixing holes for this.
- ▶ Insert the hood and screw it down tightly (fig. **18**, page 10).

4.7 Securing the refrigerator



CAUTION!

Only screw through the receptacles provided, otherwise foamed components, such as cables, can be damaged.



NOTE

Attach the side walls or the attached strips so that the screws are tight, even when under increased loads (while driving).

- ▶ Move the refrigerator into its final location.
- ▶ Fasten the screws (fig. **19** 1, page 10) through the plastic jacket in the sides of the refrigerator, and further into the wall.
- ▶ Put the caps (fig. **19** 2, page 10) onto the screw heads.

5 Connecting the refrigerator

5.1 Connecting to the gas supply



WARNING! Failure to obey these warnings could result in death or serious injury. Health hazard

- This refrigerator may only be connected to the gas supply by a specialist in accordance with the applicable national guidelines and standards.
- A hose connection is **not** permitted.
- Use a metal-sealed screw connection.
- The gas filter (white) in the refrigerator gas connection must not be removed.
- Only use cylinders of propane or butane gas (not natural gas or city gas) with an approved pressure reduction valve and suitable head. Compare the pressure information on the type plate with the pressure information on the pressure regulator on the propane or butane gas cylinder.
- **Only** operate the refrigerator at the pressure shown on the type plate.
- **Only** operate the refrigerator with the type of gas shown on the type plate.
- Please note the pressures which are permitted in your country. Only use pressure controllers with a fixed setting which comply with the national regulations.



NOTE

Optionally, you can use the Dometic flexible gas connection pipe to keep the installation tensionless.

It must be possible to shut off the refrigerator from the gas line separately by means of a shut-off device. The shut-off device must be easily accessible.

- Connect the refrigerator securely by hand to the gas supply (fig. 20, page 10):



WARNING! Explosion hazard

It is very important that you keep the following tightening torques:

Item in fig. 20, page 10	Description
1	Screw M4 (Torx TX20), Tightening torque: 2 Nm
2	Refrigerator gas connection: M14 x 1.5 (d = 8 mm/ISO 8434 (DIN 2353))
3	Gas pipe with ring coupling (size 17), Tightening torque: 25 Nm

- Have a leak test and a flame test performed by an authorized specialist after professional installation.
Ensure you are issued with a certificate of inspection and hand this certificate to the end user for safekeeping.

5.2 Connecting to DC and AC



WARNING! Failure to obey these warnings could result in death or serious injury. Electrocutation hazard

The electrical installation and repairs may only be performed by a specialist in accordance with the applicable national regulations and standards.



NOTE

- The device plug must not be placed directly behind the ventilation grill in order to prevent the air circulation from being impaired and to protect the device plug from splashes of water.
- The device plug of the AC connection cable must not be cut off.
- The connection cables must be laid so that they do not come in contact with hot parts of the unit/burner or with sharp edges.
- Changes to the internal electrical installation or the connection of other electrical components (e.g. extra third party fans) to the internal wiring of the refrigerator will void any claims from the guarantee and product liability.
- The refrigerators RM10.5 and RMS10.5 have a CI bus interface and can be controlled through a compatible central vehicle display.

Circuit diagram of the refrigerator (fig. 21, page 11)

Item in fig. 21, page 11	Description
1	Fan 1 (if options module is available)
2	Options module (optional)
3	DC supply oven (if options module is available)
4	DC supply power module
5	NTC 2: Outside temperature (optional)
6	NTC 1: Fresh food temperature sensor
7	Gas valve
8	Lighting
9	Reed switch
10	S+ (optional)
11	Heating element DC
12	15 A fuse
13	DC relay for heating cartridge
14	Gas inlet
15	DC connection block
16	DC supply cable electronics
17	DC supply cable heating element
18	CI-Bus connection
19	AC power supply
20	Heating element AC
21	Ground
22	AC protection Earth
23	Ignition electrode
24	Power module
25	Display module

DC power**WARNING! Fire hazard**

- The supply line to the heating element must be protected with a 15 A fuse.
- The supply line to the electronics must be protected with a 2 A fuse.

**NOTICE!**

The respective positive and negative supply lines of the DC connections for electronics (fig. **21** 16, page 11) and heating element (fig. **21** 17, page 11) may **not** be joined with one another and carried on a single wire. This can cause electrical interference or damage to electrical components.


Please note the following cable sizes (fig. **22**, page 13):

- Connections heating element:
 - <6 m (in the interior): $\geq 6 \text{ mm}^2$
 - >6 m (in the interior): $\geq 10 \text{ mm}^2$
 - Cable fed via drawbar (caravans only): $\geq 2.5 \text{ mm}^2$
 - Connections electronics: $\geq 0.75 \text{ mm}^2$
 - Connections D+ and S+: $\geq 0.75 \text{ mm}^2$
- Assemble your DC socket as follows (fig. **21**, page 11):
- Connect **A** and **C** to the positive pole of the battery.
 - Connect **D** and **F** to Connect D and F to ground.
 - Connect **B** to the D+ signal.
- The electronics of the refrigerator uses the signal D+ of the alternator to detect the running engine. In automatic mode, the refrigerator selects the most favorable mode available. The refrigerator is only operated with direct current when the vehicle engine is running.
- Connect **E** to the CI-BUS.
- Connect **10** with the S+ signal (optional).
- Protect the supply line **A** with a 2 A fuse in the power distribution box of the vehicle.
- Protect the supply line **C** with a 15 A fuse in the power distribution box of the vehicle.
- Run the supply line **C** via an ignition-controlled relay.
This prevents the battery from completely discharging if the engine is switched off accidentally.

AC power

- Connect the refrigerator to an AC socket using the device plug.

6 Technical data

	RM10.5(S)(T)	RMS10.5(S)(T)	RMS10.5X(S)(T)
Connection voltage:	230 V~ /50 Hz 12 V==		
Capacity			
Gross capacity:	88 l	78 l	92 l
Refrigerator compartment:	78.7 l	69.1 l	80.3 l
Freezer compartment:	9.2 l	9.2 l	12.1 l
Total net capacity:	86 l	76 l	90 l
Excluding freezer compartment			
Gross capacity:	93 l	83 l	98 l
Net capacity:	91 l	81 l	96 l
Power input:	135 W (230 V~) 130 W (12 V==)		
Energy consumption:	2.8 kWh/24 h (230 V~)	2.5 kWh/24 h (230 V~)	3.2 kWh/24 h (230 V~)
Gas consumption:	270 g/24 h		
Gas connecting pressure:	30 mbar		
Climate class:	SN		
Dimensions H x W x D:	821 x 523 x 548 mm		821 x 523 x 603 mm
Weight:	28 kg	27.4 kg	29 kg
Inspection/certification:			

For the current EU Declaration of Conformity for your device, please refer to the respective product page on dometic.com or contact the manufacturer directly (see back page).

Bitte lesen Sie diese Anleitung vor Einbau und Inbetriebnahme sorgfältig durch und bewahren Sie sie auf. Geben Sie sie im Falle einer Weitergabe des Produktes an den Nutzer weiter.



HINWEIS

Hinweise zur Bedienung finden Sie in der Bedienungsanleitung.

Inhaltsverzeichnis

1	Erläuterung der Symbole	29
2	Sicherheitshinweise	30
3	Zubehör	32
4	Kühlschrank einbauen	32
5	Kühlschrank anschließen	39
6	Technische Daten	44

1 Erläuterung der Symbole



WARNUNG!

Sicherheitshinweis auf eine Gefahrensituation, die zum Tod oder zu schwerer Verletzung führen kann, wenn sie nicht vermieden wird.



VORSICHT!

Sicherheitshinweis auf eine Gefahrensituation, die zu einer leichten oder mittelschweren Verletzung führen kann, wenn sie nicht vermieden wird.



ACHTUNG!

Hinweis auf eine Situation, die zu Sachschäden führen kann, wenn sie nicht vermieden wird.



HINWEIS

Ergänzende Informationen zur Bedienung des Produktes.

2 Sicherheitshinweise

Der Hersteller übernimmt in folgenden Fällen keine Haftung für Schäden:

- Montage- oder Anschlussfehler
- Beschädigungen am Produkt durch mechanische Einflüsse und falsche Anschlussspannung
- Veränderungen am Produkt ohne ausdrückliche Genehmigung vom Hersteller
- Verwendung für andere als die in der Anleitung beschriebenen Zwecke



WARNUNG! Nichtbeachtung dieser Sicherheitshinweise kann zum Tod oder zu schweren Verletzungen führen.

Explosionsgefahr

- Öffnen Sie niemals das Absorberaggregat. Es steht unter hohem Druck und kann Verletzungen verursachen, wenn es geöffnet wird.
- Das Gerät darf **ausschließlich** mit dem auf dem Typenschild angegebenen Druck betrieben werden. Verwenden Sie nur fest-eingestellte Druckregler, die den nationalen Vorschriften entsprechen (in Europa EN 12864).

Brandgefahr

- Achten Sie auf eine saubere und rückstandsfreie Verarbeitung, wenn Silikon-Dichtungsmasse o. Ä. verwendet wird. Kommen Silikonfäden mit heißen Teilen oder offenen Flammen in Berührung, besteht Brandgefahr.
- Prüfen Sie das Gerät niemals mit einer offenen Flamme auf Undichtigkeit.
- Verwenden Sie nur Propan- oder Butangas (**kein** Erdgas).

Gesundheitsgefahr

- Wenn das Gerät sichtbare Beschädigungen aufweist, dürfen Sie ihn nicht in Betrieb nehmen.
- Wenn das Wechselstrom-Anschlusskabel dieses Geräts beschädigt wird, muss es durch den Hersteller, seinen Kundendienst oder eine ähnlich qualifizierte Person ersetzt werden, um Gefährdungen zu vermeiden.
- Reparaturen an diesem Gerät dürfen nur von Fachkräften durchgeführt werden. Durch unsachgemäße Reparaturen können erhebliche Gefahren entstehen.

Erstickungsgefahr

- Demontieren Sie alle Gerätetüren bei Entsorgung des Altgerätes und belassen Sie die Ablagen im Gerät, um ein versehentliches Einschließen und Erstickten zu verhindern.

**VORSICHT! Nichtbeachtung dieser Sicherheitshinweise kann zu leichten oder mittelschweren Verletzungen führen.****Stromschlag**

- Achten Sie vor der Inbetriebnahme darauf, dass Zuleitung und Stecker trocken sind.

Quetschgefahr

- Fassen Sie nicht in das Scharnier.

**ACHTUNG! Beschädigungsgefahr**

- Halten Sie das Gerät beim Transport nur am Gerätekorpus fest. Halten Sie das Gerät niemals am Absorberaggregat, den Kühlrippen, den Gasleitungen, der Tür oder der Bedienblende fest.
- Achten Sie beim Transport darauf, den Kühlkreislauf nicht zu beschädigen. Das Kältemittel im Kühlkreislauf ist leicht entflammbar. Bei einer Beschädigung des Kühlkreislaufs (Ammoniakgeruch):
 - Schalten Sie gegebenenfalls das Gerät aus.
 - Vermeiden Sie offenes Feuer und Zündfunken.
 - Lüften Sie den Raum gut.
- Bauen Sie das Gerät nicht in der Nähe von offenen Flammen oder anderen Wärmequellen (Heizung, Gasöfen usw.) ein.
- **Überhitzungsgefahr!**

Achten Sie stets darauf, dass beim Betrieb entstehende Wärme ausreichend abgeführt werden kann. Sorgen Sie dafür, dass das Gerät in ausreichendem Abstand zu Wänden oder Gegenständen steht, sodass die Luft zirkulieren kann.
- Vergleichen Sie die Spannungsangabe auf dem Typenschild mit der vorhandenen Energieversorgung.
- Öffnen Sie auf keinen Fall den Kühlkreislauf.
- Schließen Sie das Gerät nur mit dem zugehörigen Wechselstrom-Anschlusskabel an die Wechselstromsteckdose an.
- Verwenden Sie nur Kabel mit passendem Leitungsquerschnitt.
- Ziehen Sie den Stecker nie am Anschlusskabel aus der Steckdose.
- Das Gerät darf keinem Regen ausgesetzt werden.

3 Zubehör

Bezeichnung

Flexible Gasleitung

Dichtung für zugluftsicheren Einbau bei einem Spalt von 1 – 5 mm (Abb. **8 B**, Seite 6)

Dichtung für zugluftsicheren Einbau bei einem Spalt von 5 – 10 mm (Abb. **8 B**, Seite 6)

Winterabdeckung WA 130 für das Lüftungsgitter LS 200

Adapterkabel

- WAGO zu CEE
- WAGO zu UK
- WAGO zu JST
- WAGO zu MATE-N-LOK

Optionaler Lüftersatz REF-FANKIT

Optionaler Batteriesatz Pack R10-BP für den autarken Gasbetrieb

Optionales Aufbewahrungsset

4 Kühlschranks einbauen



VORSICHT! Gesundheitsgefahr

Um eine Gefährdung durch Instabilität des Gerätes zu vermeiden, muss dieses gemäß den Anweisungen befestigt werden.



Die Anleitung zum Wechseln des Türanschlags und der Dekorplatte finden Sie online unter:
„dometic.com/manuals“.

Das Gerät ist geeignet für den Einbau in:

- Wohnwagen
- Wohnmobilen

4.1 Einbau vorbereiten



ACHTUNG!

- Der Kühlschrank darf nicht im Heck von Wohnmobilen installiert werden, wenn die Tür in Fahrtrichtung zeigt.
- Verwenden Sie ausschließlich Original-Lüftungsgitter von Dometic, um einen sicheren Betrieb zu gewährleisten.

Beachten Sie bei der Montage des Kühlschranks folgende Hinweise:

- Vergewissern Sie sich, dass der Boden fest und eben ist. Stellen Sie das Fahrzeug zu diesem Zweck waagrecht ab.
- Sorgen Sie dafür, dass der Kühlschrank waagrecht ausgerichtet ist.
- Der Kühlschrank muss so installiert werden, dass
 - er für Wartungsarbeiten leicht zugänglich ist
 - er leicht zu deinstallieren und zu installieren ist
 - er leicht aus dem Fahrzeug entfernt werden kann
- Der Kühlschrank muss in eine Nische eingebaut werden, damit er bei Bewegung des Fahrzeugs fest steht. Beachten Sie folgende Abmessungen (Abb. **1**, Seite 3 und Abb. **2**, Seite 4):

	RM10.5(S)(T)	RMS10.5(S)(T)	RMS10.5X(S)(T)
Kühlgerät	Gesamtabmessungen in mm		
Höhe (A)	821	821	821
Breite (B)	523	523	523
Tiefe (C) (ohne Steuerknopf (5 mm))	548	548	603
Aussparung	Abmessungen in mm		
Höhe (H)	≥824	≥824	≥824
Breite (W)	≥525,5	≥525,5	≥525,5
Tiefe (D)	≥563	≥563	≥618

- In der Außenwand müssen eine Belüftungsöffnung (Abb. **3** 1, Seite 4) und eine Entlüftungsöffnung (Abb. **3** 2, Seite 4) mit Lüftungsgitter vorgesehen werden, damit die entstehende Wärme gut nach außen abgegeben werden kann:
 - Belüftungsöffnung: Lüftungsgitter möglichst bündig mit dem Boden der Einbaunische montieren.
 - Entlüftungsöffnung: möglichst weit oberhalb des Kühlschranks.
 - Der Abstand zwischen Belüftungsöffnung und Entlüftungsöffnung muss mindestens 1050 mm betragen (Abb. **4**, Seite 4).
- Sehen Sie oberhalb des Kühlschranks ein Wärmeleitblech vor (Abb. **4** 1, Seite 4), damit sich die Wärme nicht im Fahrzeug staut.
- Der Abstand zwischen Kühlschrank und Rückwand muss mindestens 15 mm, höchstens jedoch 25 mm betragen.
- Ein Abstand von über 25 mm zwischen Kühlschrank und Rückwand führt zu Leistungseinbußen und erhöhtem Energieverbrauch des Kühlschranks. Verkleinern Sie den Hohlraum hinter dem Kühlschrank entsprechend, um eine ausreichende Be- und Entlüftung herzustellen (Abb. **5**, Seite 5). Nutzen Sie hierzu z. B. ein Luftleitblech.
- Falls der Mindestabstand zwischen Belüftungsöffnung und Entlüftungsöffnung nicht eingehalten werden kann, muss statt der Entlüftungsöffnung ein Dachentlüfter verbaut werden.
 - Der Dachentlüfter sollte möglichst direkt über der Rückseite des Kühlschranks angebracht werden. Nutzen Sie einen Luftkanal (Abb. **6** 1, Seite 5), wenn Sie den Dachentlüfter versetzt anbringen müssen, da sonst ein Wärmestau entsteht.
 - Der Abstand zwischen Belüftungsöffnung und Dachentlüfter muss mindestens 900 mm betragen (Abb. **6**, Seite 5).
 - Falls eine Dachklimaanlage vorhanden ist, muss der Abstand zwischen Dachentlüfter (Abb. **7** 1, Seite 6) und Luftauslass der Dachklimaanlage (Abb. **7** 2, Seite 6) mindestens 300 mm betragen.
- Der Kühlschrank darf nicht seitlich zu den Be- und Entlüftungsöffnungen eingebaut werden, da dies zu Leistungseinbußen und erhöhtem Energieverbrauch des Kühlschranks führt.
- Die Belüftungs- und Entlüftungsöffnung dürfen im Betrieb nicht durch Fahrzeugteile abgedeckt werden (z. B. geöffnete Tür oder durch den Anbau von Zubehör wie Fahrradträger).
- Installieren Sie den Kühlschrank geschützt gegen übermäßige Wärmeeinstrahlung, da diese zu Leistungseinbußen und erhöhtem Energieverbrauch des Kühlschranks führt.
- Der Kühlschrank muss an einem zugluftsicheren Ort eingebaut werden.

4.2 Kühlschrank zugdicht einbauen



WARNUNG! Brandgefahr!

- Verwenden Sie zum zugdichten Einbau keine leicht entflammaren Materialien wie Silikon-Dichtungsmassen, Montageschaum oder Ähnliches.
- Positionieren Sie das Gerät so, dass kein Anschlusskabel beschädigt oder eingeklemmt wird.
- Platzieren Sie nicht mehrere Steckdosen oder tragbare Netzteile hinter dem Gerät.

Gasbetriebene Kühlschränke in Wohnwagen oder Wohnmobilen müssen an einem zugluftfreien Ort eingebaut werden. Das bedeutet, dass die Verbrennungsluft nicht dem Innenraum entnommen wird und die Abgase am direkten Eintritt in den Wohnraum gehindert werden.

Zwischen Rückwand des Kühlschranks und dem Innenraum des Fahrzeugs muss eine geeignete Abdichtung vorgesehen werden.

Der Hersteller empfiehlt, eine flexible Dichtung zu verwenden, um den Aus- und Einbau für Wartungszwecke zu vereinfachen.

Wählen Sie eine der drei Versionen für einen zugluftsicheren Einbau (Abb. **8**, Seite 7):

Anschlagleiste hinter dem Kühlschrank (A)

- Kleben Sie eine flexible Dichtlippe **(1)** an eine Anschlagleiste **(2)** hinter dem Kühlschrank **(3)**.
- Schieben Sie die Kühlschrank-Ofen-Kombination gegen die Anschlagleiste mit den flexiblen Dichtlippen.
- ✓ Der Raum hinter dem Kühlschrank ist zum Innenraum des Fahrzeugs hin abgedichtet.

Seitlicher Spaltabstand von bis zu 5 mm zwischen Kühlschrank und Möbelstück (B)

- Kleben Sie die Dichtlippen (siehe Kapitel „Zubehör“ auf Seite 32) an die Seite des Möbelstücks **(4)**.
- Schieben Sie die Kühlschrank-Ofen-Kombination gegen die flexiblen Dichtlippen an dem Möbelstück.
- ✓ Der Raum hinter dem Kühlschrank ist zum Innenraum des Fahrzeugs hin abgedichtet.

Seitlicher Spaltabstand von 5 mm bis 10 mm zwischen Kühlschrank und Möbelstück (C)

- Kleben Sie die doppellippige Dichtung (siehe Kapitel „Zubehör“ auf Seite 32) an die Seite des Möbelstücks (4).
- Schieben Sie die Kühlschrank-Ofen-Kombination gegen die doppellippige Dichtung an dem Möbelstück.
- ✓ Der Raum hinter dem Kühlschrank ist zum Innenraum des Fahrzeugs hin abgedichtet.

4.3 Be- und Entlüftungsöffnungen herstellen



HINWEIS

- Abweichungen von den hier gezeigten Einlass- und Auslassvarianten müssen vom Hersteller genehmigt werden.
- Bei hohen Umgebungstemperaturen kann der Kühlschrank nur dann seine maximale Kühlleistung erbringen, wenn für eine optimale Be- und Entlüftung gesorgt ist.

- Fertigen Sie eine Belüftungs- und eine Entlüftungsöffnung in der Außenwand mit der Größe 451 mm × 156 mm an.
Beachten Sie dabei die Hinweise, siehe Kapitel „Einbau vorbereiten“ auf Seite 33.

Falls das Lüftungsgitter der Belüftungsöffnung nicht bündig zum Boden der Einbaunische eingebaut werden kann, bauen Sie eine Belüftungsöffnung im Fußboden ein. Austretendes Gas kann so nach unten strömen.

- Fertigen Sie hinter dem Kühlschrank im Bereich des Gasbrenners eine Belüftungsöffnung von mindestens Ø 40 mm im Boden an (Abb. 9 1, Seite 8).
- Schirmen Sie die Außenseite der Öffnung mit einem Ablenker ab, damit während der Fahrt kein Schlamm oder Dreck eindringen kann (Abb. 9 2, Seite 8).

Falls Sie statt der Entlüftungsöffnung einen Dachentlüfter nutzen müssen:

- Fertigen Sie einen Rahmenausschnitt im Dach an. Entnehmen Sie das erforderliche Maß der Anleitung des Dachentlüfters.
Beachten Sie dabei die Hinweise in Kapitel „Einbau vorbereiten“ auf Seite 33.

4.4 Lüftungsgitter montieren



HINWEIS

Verwenden Sie ausschließlich Original-Lüftungsgitter von Dometic, um einen sicheren Betrieb zu gewährleisten.

Pos. in Abb. 10 , Seite 8	Bezeichnung
1	Einbaurahmen
2	Lüftungsgitter
3	Schieber
4	Winterabdeckung für das Lüftungsgitter (Zubehör)
5	Adapter für den Kondensatablaufschauch

- Dichten Sie den Einbaurahmen ab, um die Verbindung wasserdicht zu machen (Abb. **11**, Seite 8).
- Setzen Sie den Einbaurahmen ein und schrauben Sie ihn fest (Abb. **12**, Seite 8). Benutzen Sie dafür alle Befestigungsbohrungen.
- Installieren Sie den Schlauchadapter wie abgebildet (Abb. **13** 1, Seite 9).
- Setzen Sie das Lüftungsgitter wie abgebildet ein (Abb. **14**, Seite 9).

4.5 Kondensatablauf installieren



HINWEIS

- Durch häufiges Türöffnen, falsch gelagerte Lebensmittel oder zu warm gelagerte Lebensmittel kann sich im Inneren des Kühlschranks Kondensat bilden.
- Das Kondensat muss mit konstantem Gefälle abgelassen werden.

Installieren Sie den Kondensatablauf wie folgt:

- Schließen Sie den Kondensatablaufschauch direkt an den Adapter am Lüftungsgitter an (Abb. **13** 2, Seite 9).

4.6 Dachentlüfter montieren

Pos. in Abb. 15 , Seite 9	Bezeichnung
1	Haube
2	Einbaurahmen

- ▶ Dichten Sie den Einbaurahmen ab, um die Verbindung wasserdicht zu machen (Abb. **16**, Seite 9).
- ▶ Setzen Sie den Einbaurahmen ein und schrauben Sie ihn fest (Abb. **17**, Seite 10). Benutzen Sie dafür alle Befestigungsbohrungen.
- ▶ Setzen Sie die Haube auf und schrauben Sie sie fest (Abb. **18**, Seite 10).

4.7 Kühlschrank befestigen



VORSICHT!

Schrauben Sie nur durch die dafür vorgesehenen Buchsen, da ansonsten eingeschäumte Bauteile wie Leitungen beschädigt werden können.



HINWEIS

Befestigen Sie die Seitenwände oder die angebrachten Leisten so, dass die Schrauben auch bei erhöhter Beanspruchung (während der Fahrt) fest sitzen.

- ▶ Bringen Sie den Kühlschrank in seine endgültige Lage.
- ▶ Drehen Sie die Schrauben (Abb. **19** 1, Seite 10) durch die Kunststoffbuchse an den Seiten des Kühlschranks und weiter in die Nischenwand.
- ▶ Setzen Sie die Abdeckkappen (Abb. **19** 2, Seite 10) auf die Schraubenköpfe.

5 Kühlschrank anschließen

5.1 An die Gasversorgung anschließen



WARNUNG! Nichtbeachtung dieser Warnungen kann zum Tod oder schwerer Verletzung führen. Gesundheitsgefahr

- Der Kühlschrank darf nur von einer Fachkraft gemäß den geltenden nationalen Vorschriften und Normen an die Gasversorgung angeschlossen werden.
- Ein Schlauchanschluss ist **nicht** zulässig.
- Verwenden Sie eine Schraubverbindung mit Metalldichtung.
- Der Gasfilter (Weiß) im Gasanschluss des Kühlschranks darf nicht entfernt werden.
- Verwenden Sie nur Propan- oder Butangasflaschen (kein Erdgas oder Stadtgas) mit geprüftem Druckreduzierventil und passendem Kopfstück. Vergleichen Sie die Druckangabe auf dem Typenschild mit der Druckangabe auf dem Druckregler der Propan- oder Butangasflasche.
- Der Kühlschrank darf **ausschließlich** mit dem auf dem Typenschild angegebenen Druck betrieben werden.
- Der Kühlschrank darf **ausschließlich** mit der auf dem Typenschild angegebenen Gasart betrieben werden.
- Bitte beachten Sie die in Ihrem Land zugelassenen Drücke. Verwenden Sie nur festeingestellte Druckregler, die den nationalen Vorschriften entsprechen.



HINWEIS

Optional können Sie die flexible Gasanschlussleitung von Dometic verwenden, um die Installation spannungsfrei zu halten.

Der Kühlschrank muss durch eine Absperrereinrichtung in der Gasleitung separat absperrbar sein. Die Absperrereinrichtung muss leicht zugänglich sein.

- Schließen Sie den Kühlschrank fest per Hand an die Gasversorgung an (Abb. **20**, Seite 10):



WARNUNG! Explosionsgefahr

Es ist sehr wichtig, dass Sie die folgenden Anzugsmomente einhalten:

Position in Abb. 20, Seite 10	Bezeichnung
1	Schraube M4 (Torx TX20), Anzugsmoment: 2 Nm
2	Gasanschluss Kühlschrank: M14 × 1,5 (d = 8 mm/ISO 8434 (DIN 2353))
3	Gasleitung mit Ringkupplung (Größe 17), Anzugsmoment: 25 Nm

- Lassen Sie nach der fachgerechten Installation eine Dichtheitsprüfung und eine Flammprobe von einer autorisierten Fachkraft durchführen. Stellen Sie sicher, dass Sie eine Prüfbescheinigung erhalten, und geben Sie diese Bescheinigung dem Endbenutzer zur sicheren Aufbewahrung.

5.2 An Gleichstrom und Wechselstrom anschließen



WARNUNG! Nichtbeachtung dieser Warnungen kann zum Tod oder schwerer Verletzung führen. Gefahr durch Stromschlag

Die elektrische Installation sowie Reparaturen dürfen nur von einer Fachkraft gemäß den geltenden nationalen Vorschriften und Normen ausgeführt werden.



HINWEIS

- Der Gerätestecker darf nicht direkt hinter dem Lüftungsgitter platziert werden, um eine Beeinträchtigung der Luftzirkulation zu verhindern und den Gerätestecker vor Wasserspritzern zu schützen.
- Der Gerätestecker des Wechselstrom-Anschlusskabels darf nicht abgeschnitten werden.
- Die Anschlusskabel müssen so verlegt sein, dass sie nicht mit heißen Teilen des Aggregats/Brenners oder mit scharfen Kanten in Berührung kommen.
- Veränderungen an der internen elektrischen Installation oder der Anschluss anderer elektrischer Komponenten (z. B. fremder Zusatzlüfter) an der internen Verkabelung des Kühlschranks führen zum Erlöschen jeglicher Ansprüche aus Gewährleistung und Produkthaftung!
- Die Kühlschränke RM10.5 und RMS10.5 verfügen über eine CI-Bus-Schnittstelle und können über ein kompatibles zentrales Fahrzeugdisplay gesteuert werden.

Schaltplan des Kühlschranks (Abb. 21, Seite 11)

Position in Abb. 21, Seite 11	Bezeichnung
1	Lüfter 1 (falls Optionsmodul verfügbar ist)
2	Optionsmodul (optional)
3	Gleichstromversorgung Ofen (falls Optionsmodul verfügbar ist)
4	Gleichstromversorgungsmodul
5	NTC 2: Außentemperatur (optional)
6	NTC 1: Temperaturfühler für frische Lebensmittel
7	Gasventil
8	Beleuchtung
9	Reed-Technologie
10	S+ (optional)
11	Heizelement (Gleichstrom)
12	15-A-Sicherung
13	Gleichstromrelais für Heizpatrone

Position in Abb. 21 , Seite 11	Bezeichnung
14	Eingang Gas
15	Gleichstromanschlussblock
16	Gleichstromversorgungskabel Elektronik
17	Gleichstromversorgungskabel Heizelement
18	CI-Bus-Anschluss
19	Wechselstromanschluss
20	Heizelement (Wechselstrom)
21	Ground
22	Wechselstrom-Schutzleiter
23	Zünderlektrode
24	Leistungsmodul
25	Anzeigemodul

Gleichstrom



WARNUNG! Brandgefahr

- Die Versorgungsleitung zum Heizelement muss mit einer 15-A-Sicherung abgesichert sein.
- Die Versorgungsleitung zur Elektronik muss mit einer 2-A-Sicherung abgesichert sein.



ACHTUNG!

Die jeweiligen positiven und negativen Versorgungsleitungen der Gleichstromanschlüsse für Elektronik (Abb. **21** 16, Seite 11) und Heizelement (Abb. **21** 17, Seite 11) dürfen **nicht** miteinander verbunden und auf einem einzigen Draht geführt werden. Es kann sonst zu elektrischer Beeinflussung oder Beschädigung elektrischer Bauteile kommen.

Beachten Sie folgende Leitungsquerschnitte (Abb. **22**, Seite 13):


- Anschlüsse Heizelement:
 - <6 m (im Innenraum): $\geq 6 \text{ mm}^2$
 - >6 m (im Innenraum): $\geq 10 \text{ mm}^2$
 - Kabelzuführung über Deichsel (nur Wohnwagen): $\geq 2,5 \text{ mm}^2$

- Anschlüsse Elektronik: $\geq 0,75 \text{ mm}^2$
- Verbindungen D+ und S+: $\geq 0,75 \text{ mm}^2$
- ▶ Montieren Sie die Gleichstromsteckdose wie folgt (Abb. **21**, Seite 11):
 - Schließen Sie **A** und **C** an den Pluspol der Batterie an.
 - Schließen Sie **D** und **F** an Masse an.
 - Schließen Sie **B** an das D+-Signal an.
Die Elektronik des Kühlschranks nutzt das Signal D+ der Lichtmaschine, um den laufenden Fahrzeugmotor zu erkennen. Der Kühlschrank wählt im automatischen Betriebsmodus die günstigste vorhandene Betriebsart aus. Der Kühlschrank wird nur mit Gleichstrom betrieben, wenn der Fahrzeugmotor läuft.
 - Schließen Sie **E** an den CI-BUS an.
- ▶ Schließen Sie **10** an das S+-Signal an (optional).
- ▶ Sichern Sie die Versorgungsleitung **A** mit einer 2-A-Sicherung im Stromverteilerkasten des Fahrzeugs ab.
- ▶ Sichern Sie die Versorgungsleitung **C** mit einer 15-A-Sicherung im Stromverteilerkasten des Fahrzeugs ab.
- ▶ Verlegen Sie die Versorgungsleitung **C** über ein zündungsgesteuertes Relais. Dadurch wird verhindert, dass sich die Batterie vollständig entlädt, wenn der Motor versehentlich abgestellt wird.

Wechselstrom

- ▶ Schließen Sie den Kühlschrank mit dem Gerätestecker an eine Wechselstromsteckdose an.

6 Technische Daten

	RM10.5(S)(T)	RMS10.5(S)(T)	RMS10.5X(S)(T)
Anschlussspannung:	230 V~ /50 Hz 12 V===		
Kapazität			
Bruttoinhalt:	88 l	78 l	92 l
Kühlfach:	78,7 l	69,1 l	80,3 l
Frosterfach :	9,2 l	9,2 l	12,1 l
Nettoinhalt insgesamt:	86 l	76 l	90 l
Ohne Frosterfach			
Bruttoinhalt:	93 l	83 l	98 l
Nettoinhalt:	91 l	81 l	96 l
Leistungsaufnahme:	135 W (230 V~) 130 W (12 V===)		
Energieverbrauch:	2,8 kWh/24 h (230 V~)	2,5 kWh/24 h (230 V~)	3,2 kWh/24 h (230 V~)
Gasverbrauch:	270 g/24 h		
Gasanschlussdruck:	30 mbar		
Klimaklasse:	SN		
Abmessungen H x B x T:	821 x 523 x 548 mm		821 x 523 x 603 mm
Gewicht:	28 kg	27,4 kg	29 kg
Prüfung/Zertifikat:			

Die aktuelle EU-Konformitätserklärung für Ihr Gerät finden Sie auf der jeweiligen Produktseite auf dometic.com. Wenden Sie sich alternativ dazu direkt an den Hersteller (siehe Rückseite).

Veillez lire attentivement cette notice avant le montage et la mise en service. Veuillez ensuite la conserver. En cas de passer le produit, veuillez le transmettre au nouvel acquéreur.



REMARQUE

Les consignes d'utilisation se trouvent dans le manuel d'utilisation.

Sommaire

1	Signification des symboles	45
2	Consignes de sécurité	46
3	Accessoires	48
4	Installation du réfrigérateur	48
5	Raccordement du réfrigérateur	55
6	Caractéristiques techniques	60

1 Signification des symboles



AVERTISSEMENT !

Consigne de sécurité signalant une situation dangereuse qui peut entraîner la mort ou de graves blessures si elle n'est pas évitée.



ATTENTION !

Consigne de sécurité signalant une situation dangereuse qui peut entraîner des blessures de gravité moyenne ou légère si elle n'est pas évitée.



AVIS !

Remarque signalant une situation qui peut entraîner des dommages matériels si elle n'est pas évitée.



REMARQUE

Informations complémentaires sur l'utilisation du produit.

2 Consignes de sécurité

Le fabricant décline toute responsabilité pour des dommages dans les cas suivants :

- des défauts de montage ou de raccordement
- des sollicitations mécaniques et une tension de raccordement incorrecte ayant endommagé le matériel
- des modifications apportées au produit sans autorisation explicite de la part du fabricant
- une utilisation différente de celle décrite dans la notice



AVERTISSEMENT ! Le non-respect de ces mises en garde peut entraîner des blessures graves, voire mortelles.

Risque d'explosion

- N'ouvrez jamais le module de l'absorbeur. Il se trouve sous haute pression et peut provoquer des blessures si il est ouvert.
- Faites fonctionner le réfrigérateur **uniquement** avec une pression correspondant à celle indiquée sur la plaque signalétique. Utilisez uniquement des régulateurs de pression à réglage fixe correspondant aux prescriptions nationales (en Europe EN 12864).

Risque d'incendie

- Assurez un traitement propre et sans traces lorsque du mastic au silicone ou un produit similaire est utilisé. Tout contact de fils de silicone avec des pièces chaudes ou des flammes nues présente un risque d'incendie.
- Ne contrôlez jamais l'étanchéité du réfrigérateur à l'aide d'une flamme nue.
- Utilisez uniquement du gaz propane ou butane (**pas de** gaz naturel).

Risque pour la santé

- Si le réfrigérateur présente des dégâts visibles, vous ne devez pas le mettre en service.
- Si le câble de raccordement en courant alternatif du réfrigérateur est endommagé, il doit être remplacé par le fabricant, son service après-vente ou une personne de qualification similaire, afin d'éviter tout danger.
- Seul un professionnel est habilité à réparer le réfrigérateur. Toute réparation mal effectuée risquerait d'entraîner de graves dangers.

Risque d'asphyxie

- Démontez toutes les portes du réfrigérateur lors du retraitement d'un ancien réfrigérateur et laissez les tablettes dans le réfrigérateur afin d'éviter tout risque d'enfermement et d'asphyxie accidentels.

**ATTENTION ! Le non-respect de ces mises en garde peut entraîner des blessures légères ou de gravité modérée.****Choc électrique**

- Avant de mettre l'appareil en service, assurez-vous que la ligne d'alimentation électrique et le connecteur sont secs.

Risque d'écrasement

- Ne touchez pas la charnière.

**AVIS ! Risque d'endommagement**

- Lors du transport, ne fixez le réfrigérateur que par le corps du réfrigérateur. Ne le fixez jamais au module de l'absorbeur, aux ailettes de refroidissement, aux conduites de gaz, à la porte ou au panneau de commande.
- Lors du transport, veillez à ne pas endommager le circuit frigorifique. Le réfrigérant du circuit frigorifique s'enflamme facilement. En cas d'endommagement du circuit frigorifique (odeur d'ammoniaque) :
 - Le cas échéant, éteignez le réfrigérateur.
 - Évitez tout feu ouvert et toute étincelle.
 - Aérez bien la pièce.
- Ne montez pas le réfrigérateur près de flammes nues ou d'autres sources de chaleur (chauffage, fours à gaz, etc.).
- **Risque de surchauffe !**
Veillez toujours à ce que la chaleur produite lors du fonctionnement puisse se dissiper suffisamment. Veillez à ce que le réfrigérateur se trouve à distance suffisante des murs ou des objets, de sorte que l'air puisse circuler.
- Vérifiez que la tension indiquée sur la plaque signalétique correspond à l'alimentation électrique dont vous disposez.
- N'ouvrez jamais le circuit frigorifique.
- Pour raccorder le réfrigérateur au courant alternatif, veuillez utiliser exclusivement la prise de courant correspondante.
- Utilisez uniquement des câbles de la section appropriée.

- Ne tirez jamais sur le câble de raccordement pour sortir la fiche de la prise.
- Le réfrigérateur ne doit pas être exposé à la pluie.

3 Accessoires

Description

Conduites de gaz flexibles

Joints pour une installation à l'épreuve des courants d'air en cas d'écarts de 1 – 5 mm (fig. **8 B**, page 6)

Joints pour une installation à l'épreuve des courants d'air en cas d'écarts de 5 – 10 mm (fig. **8 C**, page 6)

Couvercle d'hivernage WA 130 pour la grille de ventilation LS 200

Câble adaptateur

- WAGO > CEE
- WAGO > UK
- WAGO > JST
- WAGO > MATE-N-LOK

Kit de ventilateur optionnel REF-FANKIT

Bloc de piles optionnel R10-BP pour fonctionnement autonome au gaz

Kit de rangement optionnel

4 Installation du réfrigérateur



ATTENTION ! Risque pour la santé

Pour éviter tout risque dû à l'instabilité de l'appareil, celui-ci doit être fixé conformément aux instructions.



Vous trouverez le manuel d'instructions pour le remplacement de la butée de porte et de la façade en ligne, sous :
« dometic.com/manuals ».

L'appareil est conçu pour le montage dans :

- des caravanes
- des camping-cars

4.1 Préparation au montage



AVIS !

- Le réfrigérateur ne doit pas être installé à l'arrière des caravanes avec la porte orientée dans le sens de la marche.
- Utilisez uniquement des grilles de ventilation Dometic d'origine pour garantir un fonctionnement en toute sécurité.

Tenez compte des remarques suivantes lors du montage du réfrigérateur :

- Veillez à ce que le sol soit solide et plat.
Garez le véhicule horizontalement à cet effet.
- Assurez-vous que le réfrigérateur est de niveau.
- Le réfrigérateur doit être installé de sorte
 - à être facilement accessible pour les travaux de maintenance
 - à pouvoir être installé et désinstallé facilement
 - à pouvoir être retiré sans trop d'effort du véhicule
- Le réfrigérateur doit être encastré afin qu'il soit stable lorsque le véhicule se déplace. Pour ce faire, tenez compte des dimensions suivantes (fig. **1**, page 3 et fig. **2**, page 4) :

	RM10.5(S)(T)	RMS10.5(S)(T)	RMS10.5X(S)(T)
Réfrigérateur	Dimensions hors tout en mm		
Hauteur (A)	821	821	821
Largeur (B)	523	523	523
Profondeur (C) (à l'exception du bouton de commande, 5 mm)	548	548	603
Encastrement	Dimensions en mm		
Hauteur (H)	≥824	≥824	≥824
Largeur (W)	≥525,5	≥525,5	≥525,5
Profondeur (D)	≥563	≥563	≥618

- La paroi extérieure doit comporter une ouverture de ventilation (fig. **3** 1, page 4) et une ouverture d'aération (fig. **3** 2, page 4) équipée d'une grille d'aération, afin que la chaleur formée puisse être évacuée correctement vers l'extérieur :
 - Ouverture de ventilation : Installez la grille d'aération aussi affleurée que possible à la base de la niche d'installation.
 - Ouverture d'aération : aussi loin que possible au-dessus du réfrigérateur.
 - La distance entre l'ouverture d'aération et l'ouverture d'échappement d'air doit être d'au moins 1050 mm (fig. **4**, page 4).
- Prévoyez un déflecteur de chaleur au-dessus du réfrigérateur (fig. **4** 1, page 4) afin que la chaleur ne s'accumule pas dans le véhicule.
- La distance entre le réfrigérateur et le mur arrière doit être d'au moins 15 mm et d'au plus 25 mm.
- Une distance de plus de 25 mm entre le réfrigérateur et la paroi arrière conduit à de mauvaises performances et à une consommation d'énergie accrue du réfrigérateur. Par conséquent, réduisez la cavité derrière le réfrigérateur pour produire une ventilation et un échappement suffisants (fig. **5**, page 5). Pour ce faire, utilisez par exemple un déflecteur d'air.
- Si la distance minimale entre l'ouverture d'aération et l'ouverture de ventilation ne peut être respectée, un ventilateur de toit doit être installé à la place de l'ouverture de ventilation.
 - Le ventilateur de toit doit être situé, autant que possible, directement au-dessus de la paroi arrière du réfrigérateur. Utilisez un canal d'air (fig. **6** 1, page 5) si vous avez besoin d'installer le ventilateur de toit de manière décalée, car sinon la chaleur s'accumule.
 - La distance entre l'ouverture d'aération et le ventilateur de toit doit être d'au moins 900 mm (fig. **6**, page 5).
 - Si un climatiseur de toit existe, la distance entre le ventilateur de toit (fig. **7** 1, page 6) et la sortie d'air du climatiseur de toit (fig. **7** 2, page 6) doit être d'au moins 300 mm.
- Le réfrigérateur ne doit pas être installé latéralement par rapport aux ouvertures d'aération et de ventilation, car cela entraînerait une baisse des performances et une augmentation de la consommation d'énergie du réfrigérateur.
- L'ouverture d'aération et l'ouverture de ventilation ne doivent pas être recouvertes par des pièces du véhicule pendant le fonctionnement (p. ex. porte ouverte ou accessoires, comme porte-vélos).
- Installez le réfrigérateur à l'abri d'un rayonnement excessif de chaleur, car cela conduit sinon à des pertes de la performance et augmente la consommation d'énergie du réfrigérateur.
- Le réfrigérateur doit être encastré sans passage d'air.

4.2 Encastrement du réfrigérateur sans passage d'air



AVERTISSEMENT ! Risque d'incendie !

- Pour l'encastrement hermétique, n'utilisez pas de matériaux facilement inflammables comme les mastics en silicone, mousse de montage, etc.
- Placez l'appareil de sorte qu'aucun câble de raccordement ne soit endommagé ou écrasé.
- N'utilisez pas de multiprises ou d'adaptateurs portables placés derrière l'appareil.

Les réfrigérateurs fonctionnant au gaz dans des caravanes ou camping-cars doivent être encastres hermétiquement. Cela signifie que l'air nécessaire à la combustion n'est pas pris dans l'habitacle et que les gaz d'échappement ne pénètrent pas directement dans l'espace habitable.

Un colmatage adapté doit être prévu entre l'arrière du réfrigérateur et l'intérieur du véhicule.

Le fabricant recommande d'utiliser un joint flexible afin de simplifier le démontage et le montage à des fins de maintenance.

Sélectionnez l'une des trois versions pour une installation à l'épreuve des courants d'air (fig. **8**, page 7) :

Barre de butée derrière le réfrigérateur (A)

- Fixez une lèvre d'étanchéité flexible (**1**) sur une barre de butée (**2**) derrière le réfrigérateur (**3**).
- Poussez le réfrigérateur-four contre la barre de butée avec les lèvres d'étanchéité flexibles.
- ✓ L'espace se trouvant derrière le réfrigérateur est hermétiquement solidaire de l'habitacle.

Distance d'écart latéral de jusqu'à 5 mm entre le réfrigérateur et le mobilier (B)

- Collez les lèvres d'étanchéité (voir chapitre « Accessoires », page 48) sur le côté du mobilier (**4**).
- Poussez la combinaison réfrigérateur-four contre les lèvres d'étanchéité flexibles sur le mobilier.
- ✓ L'espace se trouvant derrière le réfrigérateur est hermétiquement solidaire de l'habitacle.

Distance d'écart latéral de 5 mm à 10 mm entre le réfrigérateur et le mobilier (C)

- ▶ Collez la double lèvre d'étanchéité (voir chapitre « Accessoires », page 48) sur le côté du mobilier (4).
- ▶ Poussez la combinaison réfrigérateur-four contre la double lèvre d'étanchéité sur le mobilier.
- ✓ L'espace se trouvant derrière le réfrigérateur est hermétiquement solidaire de l'habitacle.

4.3 Fabrication des ouvertures de ventilation et d'aération



REMARQUE

- Les écarts par rapport aux variations d'entrée et de sortie indiquées ici doivent être approuvés par le fabricant.
- En cas de températures ambiantes élevées, le réfrigérateur ne peut fournir sa puissance frigorifique maximale que si l'aération et la ventilation sont optimales.

- ▶ Pratiquez une ouverture d'aération et de ventilation dans la paroi extérieure de 451 mm x 156 mm.

Ce faisant, respectez les consignes, voir chapitre « Préparation au montage », page 49.

Si la grille d'aération de l'ouverture d'aération ne peut pas être montée au même niveau que le plancher de l'alcôve, prévoir en plus une ouverture d'aération dans le plancher du véhicule. Toute fuite de gaz peut ainsi s'écouler vers le bas.

- ▶ Pratiquez une ouverture d'aération d'au moins \varnothing 40 mm dans le plancher (fig. 9 1, page 8) derrière le réfrigérateur, dans la zone du brûleur.
- ▶ Protégez l'extérieur de l'ouverture avec un déflecteur pour que ni boue ni salissures ne puissent y pénétrer pendant le trajet (fig. 9 2, page 8).

Si vous avez besoin d'utiliser un ventilateur de toit au lieu de l'ouverture d'aération :

- ▶ Faites une découpe du cadre dans le toit. Pour connaître les mesures requises, consultez les instructions de la ventilation de toit.
Ce faisant, respectez les consignes, voir chapitre « Préparation au montage », page 49.

4.4 Montage de la grille de ventilation



REMARQUE

Utilisez uniquement des grilles de ventilation Dometic d'origine pour garantir un fonctionnement en toute sécurité.

Pos. dans fig. 10, page 8	Description
1	Cadre de montage
2	Grille d'aération
3	Glissière
4	Couvercle d'hivernage pour la grille de ventilation (accessoires)
5	Adaptateur pour le tuyau d'évacuation de la condensation

- Scellez le cadre d'installation pour rendre la connexion étanche (fig. 11, page 8).
- Insérez le cadre de montage et vissez-le (fig. 12, page 8). Utilisez tous les trous de fixation pour cela.
- Installez l'adaptateur de tuyau comme indiqué (fig. 13 1, page 9).
- Introduisez la grille d'aération comme indiqué (fig. 14, page 9).

4.5 Installation de l'évacuation de condensation



REMARQUE

- De la condensation peut se former à l'intérieur du réfrigérateur en raison de l'ouverture fréquente de la porte, d'aliments stockés de manière incorrecte ou d'aliments stockés lorsqu'il fait trop chaud.
- La condensation doit être évacuée avec une pente constante.

Installez l'évacuation de condensation comme suit :

- Fixez le tuyau de condensation directement sur le raccord prévu sur la grille de ventilation (fig. 13 2, page 9).

4.6 Montage du ventilateur de toit

Pos. dans fig. 15, page 9	Description
1	Capot
2	Cadre de montage

- Scellez le cadre d'installation pour rendre la connexion étanche (fig. 16, page 9).
- Insérez le cadre de montage et vissez-le (fig. 17, page 10). Utilisez tous les trous de fixation pour cela.
- Placez le capot par dessus et vissez-le (fig. 18, page 10).

4.7 Fixation du réfrigérateur



ATTENTION !

Vissez toujours à travers les douilles prévues ; dans le cas contraire, les composants en mousse et les câbles, entre autres, pourraient être endommagés.



REMARQUE

Fixez les parois latérales ou les plinthes de telle sorte que les vis soient bien serrées, même sous une charge accrue (pendant la conduite).

- Placez le réfrigérateur à son emplacement définitif.
- Vissez les vis (fig. 19 1, page 10) dans les six douilles en plastique des parois latérales du réfrigérateur puis dans la niche murale.
- Placez les bouchons (fig. 19 2, page 10) sur les têtes des vis.

5 Raccordement du réfrigérateur

5.1 Raccordement à l'alimentation en gaz



AVERTISSEMENT ! Le non-respect de ces mises en garde peut entraîner des blessures graves, voire mortelles. Risque pour la santé

- Seul un spécialiste est habilité à raccorder le réfrigérateur à l'alimentation au gaz, conformément aux directives et normes nationales en vigueur.
- Il est **interdit** d'utiliser un raccord pour tuyaux.
- Utilisez un raccord à vis métallique.
- Le filtre à gaz (blanc) du raccordement de gaz du réfrigérateur ne doit pas être retiré.
- Utilisez uniquement des bouteilles de gaz propane ou butane (pas de gaz naturel ou gaz de ville) dont la vanne de réduction de pression a été contrôlée et un embout correspondant. Vérifiez que les données inscrites sur le régulateur de pression de la bouteille de propane ou de butane correspondent aux données inscrites sur la plaque signalétique.
- Faites fonctionner le réfrigérateur **uniquement** avec une pression correspondant à celle indiquée sur la plaque signalétique.
- Faites fonctionner le réfrigérateur **uniquement** avec le type de gaz correspondant à celui indiqué sur la plaque signalétique.
- Veuillez tenir compte des pressions autorisées dans votre pays. Utilisez uniquement des régulateurs de pression à réglage fixe correspondant aux prescriptions nationales.



REMARQUE

Vous pouvez aussi utiliser le tube-raccord de gaz flexible Dometic pour conserver l'installation hors tension.

Le réfrigérateur doit pouvoir être séparé de la conduite de gaz par un dispositif de blocage. Le dispositif de blocage doit être facile d'accès.

- Branchez le réfrigérateur de manière fixe et libre de tension à l'alimentation en gaz (fig. 20, page 10) :



AVERTISSEMENT ! Risque d'explosion

Il est très important que vous respectiez les couples de serrage suivants :

Élément dans fig. 20, page 10	Description
1	Vis M4 (Torx TX20), Couple de serrage : 2 Nm
2	Raccordement du gaz du réfrigérateur : M14 x 1,5 (d = 8 mm/ISO 8434 (DIN 2353))
3	Tuyau de gaz avec accouplement à bague (taille 17), Couple de serrage : 25 Nm

- Faites effectuer un test de fuite et un test de flamme par un spécialiste autorisé après une installation professionnelle.
Faites vous remettre un certificat de ce test et remettez-le à l'utilisateur final pour qu'il le conserve en lieu sûr.

5.2 Raccordement au CC et CA



AVERTISSEMENT ! Le non-respect de ces mises en garde peut entraîner des blessures graves, voire mortelles. Risque d'électrocution

L'installation électrique et les réparations doivent être effectuées par un spécialiste, en conformité avec les règlements et les normes nationales applicables.



REMARQUE

- Le connecteur de l'appareil ne doit pas être placé directement derrière la grille d'aération afin de ne pas compromettre la circulation d'air et de protéger le connecteur de l'appareil des projections d'eau.
- Le connecteur de l'appareil au courant alternatif ne doit pas être coupé.
- Les câbles de raccordement doivent être posés de telle sorte qu'ils ne sont pas en contact avec les parties chaudes de l'unité / du brûleur ou avec des arêtes vives.
- Des modifications de l'installation électrique interne ou le raccordement d'autres composants électriques (p. ex. ventilateur supplémentaire d'un autre fabricant) au câblage interne du réfrigérateur annulent toute réclamation issue de la garantie et de la responsabilité du fabricant.
- Les réfrigérateurs RM10.5 et RMS10.5 possèdent une interface de bus CI et peuvent être contrôlés par un écran central compatible du véhicule.

Schéma de câblage du réfrigérateur (fig. 21, page 11)

Élément dans fig. 21, page 11	Description
1	Ventilateur 1 (si le module d'options est disponible)
2	Module d'options (en option)
3	Four alimentation CC (si le module d'options est disponible)
4	Module d'options alimentation CC
5	NTC 2: Température extérieure (en option)
6	NTC 1: Sonde de température pour les aliments frais
7	Vanne du gaz
8	Éclairage
9	Contacteur Reed
10	S+ (en option)
11	Élément de chauffage CC
12	Fusible 15 A

Élément dans fig. 21, page 11	Description
13	Relais CC pour cartouche chauffante
14	Entrée gaz
15	Bloc de connexion CC
16	Électronique câble alimentation CC
17	Élément chauffant câble alimentation CC
18	Raccordement bus CI
19	Raccordement au courant alternatif
20	Élément de chauffage CA
21	Terre
22	Terre protection CA
23	Électrode d'allumage
24	Module de puissance
25	Module d'affichage

Source d'alimentation CC



AVERTISSEMENT ! Risque d'incendie

- La ligne d'alimentation vers l'élément de chauffage doit être protégée par un fusible de 15 A.
- La ligne d'alimentation vers l'électronique doit être protégée par un fusible de 2 A.



AVIS !

Les lignes d'alimentation positive et négative des connexions CC pour l'électronique (fig. 21 16, page 11) et l'élément de chauffage (fig. 21 17, page 11) ne doivent **pas** être raccordées ensemble sur un seul fil. Cela peut provoquer des interférences électriques ou endommager des composants électriques.



Respectez les sections de câbles suivantes (fig. **22**, page 13) :

- Raccordement de l'élément chauffant :
 - <6 m (à l'intérieur) : $\geq 6 \text{ mm}^2$
 - >6 m (à l'intérieur) : $\geq 10 \text{ mm}^2$
 - Câble sur timon (caravanes uniquement) : $\geq 2,5 \text{ mm}^2$
 - Raccordement électronique : $\geq 0,75 \text{ mm}^2$
 - Raccordements D+ et S+ : $\geq 0,75 \text{ mm}^2$
- Montez votre prise de courant continu comme suit (fig. **21**, page 11) :
- Raccordez **A** et **C** au pôle positif de la batterie.
 - Raccordez **D** et **F** à la masse.
 - Raccordez **B** au signal D+.
L'électronique du réfrigérateur utilise le signal D+ de la dynamo afin de reconnaître la marche du moteur du véhicule. En mode automatique, le réfrigérateur sélectionne le mode le plus favorable. Le réfrigérateur ne fonctionne avec du courant continu que lorsque le moteur du véhicule est en marche.
 - Raccordez **E** au bus Cl.
- Raccordez **10** au signal S+ (en option).
- Protégez la ligne d'alimentation **A** avec un fusible 2 A dans le répartiteur du véhicule.
- Protégez la ligne d'alimentation **C** avec un fusible 15 A dans le répartiteur du véhicule.
- Faites passer la ligne d'alimentation **C** par un relais à commande d'allumage. Ceci évite une décharge complète de la batterie lorsque le moteur est éteint accidentellement.

Source d'alimentation CA

- Connectez le réfrigérateur à une prise CA à l'aide du connecteur de l'appareil.

6 Caractéristiques techniques

	RM10.5(S)(T)	RMS10.5(S)(T)	RMS10.5X(S)(T)
Tension de raccordement :	230 V~ /50 Hz 12 V===		
Capacité			
Capacité brute :	88 l	78 l	92 l
Compartment réfrigérateur :	78,7 l	69,1 l	80,3 l
Compartment congélateur :	9,2 l	9,2 l	12,1 l
Capacité nette totale :	86 l	76 l	90 l
À l'exclusion du compartiment congélateur			
Capacité brute :	93 l	83 l	98 l
Capacité nette :	91 l	81 l	96 l
Alimentation électrique :	135 W (230 V~) 130 W (12 V===)		
Consommation électrique :	2,8 kWh/24 h (230 V~)	2,5 kWh/24 h (230 V~)	3,2 kWh/24 h (230 V~)
Consommation de gaz :	270 g/24 h		
Pression de raccordement de gaz :	30 mbar		
Classe climatique :	SN		
Dimensions h x L x l :	821 x 523 x 548 mm		821 x 523 x 603 mm
Poids :	28 kg	27,4 kg	29 kg
Contrôle/certification :	 		

Pour la déclaration de conformité UE actuelle pour votre appareil, veuillez vous reporter à la page produit correspondante sur dometic.com ou contacter directement le fabricant (voir la dernière page).

Lea detenidamente estas instrucciones antes de llevar a cabo la instalación y puesta en funcionamiento, y consérvelas en un lugar seguro. En caso de vender o entregar el producto a otra persona, entregue también estas instrucciones.



NOTA

Podrá encontrar más detalles sobre el funcionamiento en las instrucciones de uso.

Índice

1	Explicación de los símbolos	61
2	Indicaciones de seguridad	62
3	Accesorios.	64
4	Montaje de la nevera	64
5	Conectar la nevera	71
6	Datos técnicos.	76

1 Explicación de los símbolos



¡ADVERTENCIA!

Aviso de seguridad sobre una situación de peligro que, si no se evita, puede causar la muerte o heridas graves.



¡ATENCIÓN!

Aviso de seguridad sobre una situación de peligro que, si no se evita, puede causar heridas leves o de consideración.



¡AVISO!

Aviso sobre una situación que, si no se evita, puede causar daños materiales.



NOTA

Información complementaria para el manejo del producto.

2 Indicaciones de seguridad

El fabricante declina toda responsabilidad ante daños ocurridos en los siguientes casos:

- errores de montaje o de conexión
- desperfectos en el producto debidos a influencias mecánicas y una tensión de conexión incorrecta
- modificaciones realizadas en el producto sin el expreso consentimiento del fabricante
- utilización del aparato para fines distintos a los descritos en las instrucciones



¡ADVERTENCIA! El incumplimiento de estas advertencias podría acarrear la muerte o lesiones graves.

Peligro de explosión

- No abra nunca el grupo absorbedor. Está bajo alta presión y puede causar lesiones si se abre.
- **Solo** está permitido usar la nevera con la presión indicada en la placa de características. Utilice solo presostatos fijos que cumplan las disposiciones nacionales (en Europa EN 12864).

Peligro de incendio

- Asegúrese de trabajar de forma segura y limpia cuando se emplea pasta para juntas de silicona o similares. Si hilos de silicona entran en contacto con piezas calientes o fuego abierto, existe peligro de incendio.
- No compruebe nunca la hermeticidad de la nevera con fuego abierto.
- Utilice solo gas propano o butano (**no** gas natural).

Riesgo para la salud

- No ponga la nevera en funcionamiento si presenta desperfectos visibles.
- Si se daña el cable de conexión de corriente alterna de esta nevera, el fabricante, su servicio de atención al cliente o una persona cualificada debe reemplazarlo para evitar así posibles peligros.
- Solo personal especializado está autorizado a realizar reparaciones en la nevera. Una reparación incorrecta entraña riesgos considerables.

Riesgo de asfixia

- Desmonte las puertas de la nevera al desechar la nevera usada y deje las repisas en la nevera para evitar un cierre involuntario y la asfixia.



¡ATENCIÓN! El incumplimiento de estas precauciones podría acarrear lesiones moderadas o leves.

Descargas eléctricas

- Antes de la puesta en funcionamiento, asegúrese de que el cable de alimentación y la clavija de enchufe estén secos.

Peligro de aplastamiento

- No introduzca la mano en el área de acción de la bisagra.



¡AVISO! Peligro de ocasionar daños materiales

- Durante el transporte, sujete la nevera solo por su cuerpo. No sujete nunca la nevera por el grupo absorbedor, las aletas de refrigeración, los conductos de gas, la puerta o el panel de mando.
- Al transportarla, asegúrese de no dañar el circuito de refrigeración. El refrigerante del circuito de refrigeración es muy inflamable. En caso de daños en el circuito de refrigeración (olor a amoníaco):
 - Si es necesario, desconecte la nevera.
 - Evite las llamas abiertas y las chispas.
 - Ventile bien la habitación.
- No monte la nevera cerca de fuego abierto ni de otras fuentes de calor (calefacción, estufas de gas, etc.).
- **¡Peligro de sobrecalentamiento!** Asegúrese de que quede garantizada en todo momento una evacuación adecuada del calor que se genera durante el funcionamiento. Asegúrese también de que la nevera guarde la suficiente distancia respecto a paredes u objetos, de forma que el aire pueda circular.
- Compare el valor de tensión indicado en la placa de características con el suministro de energía existente.
- No abra nunca el circuito de refrigeración.
- Conecte la nevera a la red de corriente alterna solo con el cable de conexión de corriente alterna correspondiente.
- Utilice únicamente cables que tengan la sección adecuada.
- No desenchufe nunca el cable de conexión tirando de él.
- La nevera no debe quedar expuesta a la lluvia.

3 Accesorios

Descripción

Tubería de gas flexible

Sello para montaje a prueba de corrientes para huecos de 1 – 5 mm (fig. **8 B**, página 6)

Sello para montaje a prueba de corrientes para huecos de 5 – 10 mm (fig. **8 C**, página 6)

Cubierta de invierno WA 130 para la rejilla de ventilación LS 200

Cable adaptador

- WAGO a CEE
- WAGO a UK
- WAGO a JST
- WAGO a MATE-N-LOK

Kit de ventilador opcional Kit REF-FANKIT

Paquete de baterías opcional Pack R10-BP para el modo autónomo con gas

Kit de almacenamiento opcional

4 Montaje de la nevera



¡ATENCIÓN! Riesgo para la salud

Para evitar peligros causados por la inestabilidad del aparato, este deberá fijarse tal como se indica en las instrucciones.



Podrá encontrar online el manual de instrucciones para el cambio del tope de la puerta y la placa decorativa en:
"dometic.com/manuals".

El aparato es adecuado para su instalación en:

- caravanas
- autocaravanas

4.1 Preparación del montaje



¡AVISO!

- No monte la nevera en la parte trasera de una autocaravana con la puerta apuntando en el sentido de la marcha.
- Utilice exclusivamente rejillas de ventilación originales Dometic para asegurar un funcionamiento seguro.

Durante el montaje de la nevera, tenga en cuenta las siguientes indicaciones:

- Asegúrese de que el suelo sea sólido y nivelado.
Con este fin, aparque el vehículo en posición horizontal.
- Asegúrese de que la nevera esté nivelada.
- La nevera debe estar instalada de forma que
 - resulte fácilmente accesible para trabajos de mantenimiento
 - resulte fácil de instalar y desinstalar
 - pueda retirarse fácilmente del vehículo
- La nevera se debe instalar empotrada para que no se desplace con el movimiento del vehículo. Para ello tenga en cuenta las siguientes medidas (fig. **1**, página 3 y fig. **2**, página 4):

	RM10.5(S)(T)	RMS10.5(S)(T)	RMS10.5X(S)(T)
Nevera	Dimensión total en mm		
Altura (A)	821	821	821
Anchura (B)	523	523	523
Profundidad (C) (no incluye el regulador giratorio de 5 mm)	548	548	603
Hueco	Dimensión en mm		
Altura (H)	≥824	≥824	≥824
Anchura (W)	≥525,5	≥525,5	≥525,5
Profundidad (D)	≥563	≥563	≥618

- En la pared exterior se debe practicar una abertura de entrada de aire (fig. **3** 1, página 4) y una de salida (fig. **3** 2, página 4) con rejillas de ventilación para extraer el calor generado:
 - Abertura de entrada de aire: Coloque la rejilla de entrada de aire lo más a ras posible de la base del nicho de montaje.
 - Abertura de salida de aire: Encájela lo más por encima posible de la nevera.
 - La distancia entre las aberturas de entrada y salida de aire debe ser, como mínimo, de 1050 mm (fig. **4**, página 4).
- Coloque una chapa deflectora de calor encima de la nevera (fig. **4** 1, página 4) para que el calor no se acumule en el vehículo.
- La distancia entre la nevera y la pared trasera debe tener un mínimo de 15 mm y un máximo de 25 mm.
- Una distancia superior a 25 mm entre la nevera y la pared trasera causa una merma de potencia y un consumo de energía más elevado de la nevera. Reduzca el espacio trasero de la nevera para crear una ventilación óptima de entrada y salida (fig. **5**, página 5). Para ello utilice, por ejemplo, una placa de ventilación.
- Si no es posible llegar a la distancia mínima entre la abertura de entrada y la abertura de salida en la pared, se instalará una salida de ventilación de techo en vez de la abertura de salida de la pared.
 - La salida de ventilación de techo se instalará, en la medida de lo posible, directamente encima de la parte posterior de la nevera. Utilice un conducto de aire (fig. **6** 1, página 5) si instala una salida de ventilación de techo, ya que, de lo contrario, se acumulará el calor en la zona.
 - La distancia entre la abertura de ventilación y la salida de ventilación del techo debe ser de al menos 900 mm (fig. **6**, página 5).
 - Si se dispone de un equipo de aire acondicionado de techo, la distancia entre la salida de ventilación del techo (fig. **7** 1, página 6) y la salida de aire del equipo de aire acondicionado de techo (fig. **7** 2, página 6) debe ser de al menos 300 mm.
- No está permitido instalar la nevera a los lados de las aberturas de aireación y ventilación, ya que causaría una merma de potencia y un consumo de energía elevado de la nevera.
- No está permitido que las aberturas de entrada y salida de aire queden cubiertas durante el funcionamiento por piezas del vehículo (por ejemplo, una puerta abierta o un portabicicletas).
- Instale la nevera protegida contra una radiación exagerada de calor, ya que podría causar mermas de potencia y un consumo de energía elevado de la nevera.
- La nevera debe montarse en una zona protegida de las corrientes de aire.

4.2 Montaje de la nevera en un lugar protegido de corrientes de aire



¡ADVERTENCIA! ¡Peligro de incendio!

- Para el montaje protegido frente a corrientes de aire no se deben utilizar materiales fácilmente inflamables como pasta de silicona para juntas, espuma de montaje o similares.
- Coloque el aparato de forma que ningún cable de conexión no resulte dañado ni se quede pillado.
- No utilice múltiples enchufes ni adaptadores de potencia portátiles detrás del dispositivo.

En caravanas o autocaravanas, las neveras a gas deben instalarse en zonas no expuestas a corrientes de aire. Esto significa que el aire de combustión no se toma del habitáculo y se impide que los gases de escape entren en el espacio habitable.

Entre la pared trasera de la nevera y el habitáculo del vehículo debe haber un sellado adecuado.

El fabricante recomienda utilizar una junta flexible para facilitar el desmontaje y montaje a efectos de mantenimiento.

Seleccione una de las tres versiones de montaje protegido de corrientes de aire (fig. **8**, página 7):

Barra de detención detrás de la nevera (A)

- Pegue un labio de junta flexible **(1)** a una barra de detención **(2)** detrás de la nevera **(3)**.
- Deslice la combinación nevera-horno contra la barra de detención con los labios de junta flexibles.
- ✓ El espacio detrás de la nevera está sellado hacia el interior del vehículo.

Distancia de la ranura lateral de hasta 5 mm entre la nevera y el mueble (B)

- Pegue los labios de junta (véase capítulo "Accesorios" en la página 64) en el lateral del mobiliario **(4)**.
- Empuje la combinación de nevera-horno contra los labios de junta flexibles en el mobiliario.
- ✓ El espacio detrás de la nevera está sellado hacia el interior del vehículo.

Distancia de la ranura lateral de 5 mm a 10 mm entre la nevera y el mueble (C)

- Pegue el sellado de doble labio (véase capítulo “Accesorios” en la página 64) en el lateral del mobiliario (4).
- Empuje la combinación de nevera-horno contra el sellado de doble labio en el mobiliario.
- ✓ El espacio detrás de la nevera está sellado hacia el interior del vehículo.

4.3 Realización de aberturas de entrada y salida de aire



NOTA

- Las diferencias con respecto a las variaciones de entrada y salida de aire indicadas aquí deberán estar aprobadas por el fabricante.
- En el caso de una temperatura ambiente elevada, la nevera solo puede rendir al máximo si se garantiza una ventilación óptima.

- Practique una abertura de ventilación y de desaireación en la pared exterior con unas dimensiones de 451 mm x 156 mm.

Para ello, tenga en cuenta las indicaciones anteriores, véase capítulo “Preparación del montaje” en la página 65.

Si la rejilla de ventilación de la abertura de entrada de aire no se puede instalar a ras de suelo del nicho, instale una abertura de entrada en el suelo. De esta manera, las fugas de gas fluirán hacia abajo.

- Practique una abertura de ventilación de al menos Ø 40 mm en el suelo (fig. 9 1, página 8) detrás de la nevera, en el área del quemador de gas.
- Proteja la parte exterior de la abertura con una cubierta para que no entre barro ni suciedad durante los desplazamientos (fig. 9 2, página 8).

Si utiliza una salida de ventilación de techo en vez de la salida de pared:

- Practique un corte del bastidor del techo. Consulte las dimensiones requeridas en las instrucciones del ventilador de techo. Al hacerlo, tenga en cuenta la información indicada en capítulo “Preparación del montaje” en la página 65.

4.4 Montaje de la rejilla de ventilación



NOTA

Utilice exclusivamente rejillas de ventilación originales Dometic para asegurar un funcionamiento seguro.

N.º en fig. 10 , página 8	Descripción
1	Marco de montaje
2	Rejilla de ventilación
3	Corredera
4	Cubierta de invierno para la rejilla de ventilación (accesorios)
5	Adaptador para el tubo de drenaje del agua de condensación

- Selle el marco de montaje para impermeabilizarlo (fig. **11**, página 8).
- Introduzca el marco de montaje y atorníllelo con fuerza (fig. **12**, página 8). Utilice para ello los orificios de fijación.
- Instale el adaptador del tubo tal como se indica (fig. **13** 1, página 9).
- Inserte la rejilla de ventilación como se indica (fig. **14**, página 9).

4.5 Montaje del desagüe de condensación



NOTA

- En la nevera se puede formar condensación debido a la apertura frecuente de la puerta, alimentos mal almacenados o comida guardada cuando todavía está caliente.
- La condensación debe desaguar con una pendiente constante.

Monte el desagüe de condensación de la siguiente manera:

- Conecte el tubo de condensación directamente al adaptador en la rejilla de ventilación (fig. **13** 2 página 9).

4.6 Montaje del extractor de techo

N.º en fig. 15 , página 9	Descripción
1	Cubierta
2	Marco de montaje

- ▶ Selle el marco de montaje para impermeabilizarlo (fig. **16**, página 9).
- ▶ Introduzca el marco de montaje y atorníllelo con fuerza (fig. **17**, página 10). Utilice para ello los orificios de fijación.
- ▶ Coloque la cubierta y atorníllela con fuerza (fig. **18**, página 10).

4.7 Fijar la nevera



¡ATENCIÓN!

Atornille solo a través de los receptáculos previstos para ello, ya que, de lo contrario, pueden dañarse los componentes protegidos con espuma, como los cables.



NOTA

Sujete las paredes laterales o los listones instalados de forma que los tornillos estén fijos incluso en caso de mucha carga (durante la conducción).

- ▶ Ponga la nevera en su posición final.
- ▶ Apriete los tornillos (fig. **19** 1, página 10) a través de las cubierta de plástico en los lados de la nevera y hasta el interior de la pared.
- ▶ Coloque las tapas (fig. **19** 2, página 10) en las cabezas de los tornillos.

5 Conectar la nevera

5.1 Conexión a la alimentación de gas



¡ADVERTENCIA! El incumplimiento de estas advertencias podría acarrear la muerte o lesiones graves. Riesgo para la salud

- La conexión de la nevera al suministro de gas debe ser realizada por personal especializado conforme a las disposiciones y estándares vigentes en cada país.
- La conexión de manguera **no** está permitida.
- Utilice una conexión roscada de cierre metálico.
- El filtro del gas (blanco) de la conexión de gas de la nevera no se puede extraer.
- Utilice solo bombonas de gas propano o butano (no gas natural ni gas ciudad) equipadas con una válvula homologada de reducción de la presión y un cabezal adecuado. Compare la indicación de presión en la placa de características con la indicación de presión del regulador de gas la bombona de gas butano o propano.
- **Solo** está permitido usar la nevera con la presión indicada en la placa de características.
- **Solo** está permitido usar la nevera con el tipo de gas indicado en la placa de características.
- Tenga en cuenta las presiones autorizadas en su país. Utilice solo presostatos fijos que cumplan las normativas nacionales.



NOTA

De forma opcional, puede utilizar la tubería flexible para la conexión de gas de Dometic con el objetivo de mantener la instalación sin tensión.

La nevera se debe poder bloquear independientemente con un dispositivo de bloqueo en la tubería de gas. Se debe poder acceder de forma sencilla al dispositivo de cierre.

- Conecte la nevera a la alimentación de gas de forma fija y sin tensiones (fig. 20, página 10):



¡ADVERTENCIA! Peligro de explosión

Es muy importante mantener los siguientes pares de apriete:

Elemento en la fig. 20, página 10	Descripción
1	Tornillo M4 (torx TX20), Par de apriete: 2 Nm
2	Conexión de gas de la nevera: M14 x 1,5 (d = 8 mm/ISO 8434 (DIN 2353))
3	Tubo de gas con acoplamiento de anillo (tamaño 17), Par de apriete: 25 Nm

- Después de la instalación profesional, solicite a un especialista una prueba de fugas y de llama.
Asegúrese de que le expidan un certificado de inspección, y entréguelo al usuario final para que lo guarde.

5.2 Conexión a corriente continua y alterna



¡ADVERTENCIA! El incumplimiento de estas advertencias podría acarrear la muerte o lesiones graves. Riesgo de electrocución

La instalación eléctrica y las correspondientes reparaciones deben ser realizadas por personal especializado de acuerdo con las normativas y estándares vigentes en cada país.

**NOTA**

- El enchufe del aparato no puede estar justo detrás de la rejilla de ventilación para no perjudicar la circulación del aire y proteger el enchufe de salpicaduras de agua.
- No está permitido cortar el enchufe del cable de conexión de corriente alterna.
- El cable de conexión debe estar tendido de manera que no entre en contacto con piezas calientes del grupo/quemador o con bordes afilados.
- Las modificaciones de la instalación eléctrica interna o de la conexión con otros componentes eléctricos (por ejemplo, ventiladores adicionales externos) al cableado de la nevera causa la pérdida de todos los derechos de la garantía legal y frente a la responsabilidad del fabricante.
- Las neveras RM10.5 y RMS10.5 disponen de una interfaz de bus CI que se puede controlar mediante la pantalla central compatible del vehículo.

Esquema de conexiones de la nevera (fig. 21, página 11)

Elemento en la fig. 21, página 11	Descripción
1	Ventilador 1 (si el módulo de opciones está disponible)
2	Módulo de opciones (opcional)
3	Alimentación de corriente continua para horno (si el módulo de opciones está disponible)
4	Módulo de alimentación de corriente continua
5	NTC 2: temperatura exterior (opcional)
6	NTC 1: Sensor de temperatura de alimentos frescos
7	Válvula de gas
8	Iluminación
9	Interruptor de lengüeta
10	S+ (opcional)
11	Elemento calefactor CC
12	Fusible de 15 A

Elemento en la fig. 21, página 11	Descripción
13	Relé de corriente continua para el cartucho de calefacción
14	Entrada de gas
15	Bloque de conexión de corriente continua
16	Cable alimentación de corriente continua para sistemas electrónicos
17	Cable de alimentación de corriente continua para el elemento calefactor
18	Conexión bus CI
19	Conexión de corriente alterna
20	Elemento calefactor CA
21	Masa
22	Protección de corriente alterna de tierra
23	Electrodo de encendido
24	Módulo de corriente
25	Módulo de pantalla

Corriente continua



¡ADVERTENCIA! Peligro de incendio

- El cable de suministro del elemento calefactor debe estar protegido por un fusible de 15 A.
- El cable de suministro de la electrónica debe estar protegido por un fusible de 2 A.



¡AVISO!

Las líneas de alimentación positiva y negativa respectivas de las conexiones de corriente continua para sistemas electrónicos (fig. 21 16, página 11) y el elemento calefactor (fig. 21 17, página 11) **no** pueden unirse entre sí y conducirse por un mismo cable. De lo contrario, se pueden producir influencias eléctricas o daños en los componentes.


Tenga en cuenta las siguientes secciones del cableado (fig. **22**, página 13):

- Conexiones del elemento calefactor:
 - <6 m (en el interior): $\geq 6 \text{ mm}^2$
 - >6 m (en el interior): $\geq 10 \text{ mm}^2$
 - Cable con suministro vía remolque (solo caravanas): $\geq 2,5 \text{ mm}^2$
 - Conexiones del sistema electrónico: $\geq 0,75 \text{ mm}^2$
 - Conexiones D+ y S+: $\geq 0,75 \text{ mm}^2$
- Monte su enchufe de corriente continua como se explica a continuación (fig. **21**, página 11):
- Conecte **A** y **C** al polo positivo de la batería.
 - Conecte **D** y **F** a tierra.
 - Conecte **B** a la señal D+.
- El sistema electrónico de la nevera utiliza la señal D+ del alternador para detectar si el motor está en marcha. La nevera selecciona en modo automático el modo de funcionamiento más favorable de los disponibles. La nevera solo se alimenta con corriente continua cuando el motor del vehículo está en marcha.
- Conecte **E** al BUS CI.
- Conecte **10** a la señal S+ (opcional).
- Proteja la línea de alimentación **A** con un fusible de 2 A en la caja de distribución del vehículo.
- Proteja la línea de alimentación **C** con un fusible de 15 A en la caja de distribución del vehículo.
- Tienda la línea de alimentación de potencia **C** mediante un relé controlado por ignición.
- Esto evita que la batería se descargue completamente si el motor se desconecta de forma accidental.

Corriente alterna

- Conecte la nevera a una caja de enchufe de corriente alterna mediante el enchufe del aparato.

6 Datos técnicos

	RM10.5(S)(T)	RMS10.5(S)(T)	RMS10.5X(S)(T)
Tensión de conexión:	230 V~ /50 Hz 12 V===		
Capacidad			
Capacidad bruta:	88 l	78 l	92 l
Compartimento refrigerador:	78,7 l	69,1 l	80,3 l
Congelador:	9,2 l	9,2 l	12,1 l
Capacidad neta total:	86 l	76 l	90 l
Excluyendo el congelador			
Capacidad bruta:	93 l	83 l	98 l
Capacidad neta:	91 l	81 l	96 l
Potencia de entrada:	135 W (230 V~) 130 W (12 V===)		
Consumo de energía:	2,8 kWh/24 h (230 V~)	2,5 kWh/24 h (230 V~)	3,2 kWh/24 h (230 V~)
Consumo de gas:	270 g/24 h		
Presión de conexión de gas:	30 mbares		
Clase climática:	SN		
Dimensiones H x A x P:	821 x 523 x 548 mm		821 x 523 x 603 mm
Peso:	28 kg	27,4 kg	29 kg
Inspección/certificados:			

Para la declaración de conformidad UE actual de su aparato, diríjase a la página de producto correspondiente en dometic.com o póngase en contacto directamente con el fabricante (véase dorso).

Por favor, leia atentamente este manual antes da montagem e colocação em funcionamento do aparelho e guarde-o em local seguro. Em caso de transmissão do produto, entregue o manual ao novo utilizador.



OBSERVAÇÃO

Encontra informações detalhadas sobre a operação no respetivo manual de instruções.

Índice

1	Explicação dos símbolos	77
2	Indicações de segurança	78
3	Acessórios	80
4	Montar o frigorífico	80
5	Conectar o frigorífico	87
6	Dados técnicos	92

1 Explicação dos símbolos



AVISO!

Indicação de segurança sobre uma situação de perigo que pode levar à morte ou a ferimentos graves se não for evitada.



PRECAUÇÃO!

Indicação de segurança sobre uma situação de perigo que pode levar a ferimentos ligeiros ou moderados se não for evitada.



NOTA!

Indicação sobre uma situação que leva a danos materiais se não for evitada.



OBSERVAÇÃO

Informações complementares sobre a operação do produto.

2 Indicações de segurança

O fabricante não se responsabiliza por danos nos seguintes casos:

- Erros de montagem ou de conexão
- Danos no produto resultantes de influências mecânicas e tensão de conexão incorreta
- Alterações ao produto sem autorização expressa do fabricante
- Utilização para outras finalidades que não as descritas no manual de instruções



AVISO! O incumprimento destes avisos poderá resultar em morte ou ferimentos graves.

Perigo de explosão

- Nunca abra o agregado de absorção. Este encontra-se sob pressão e pode originar ferimentos durante a abertura.
- O frigorífico deve ser operado **exclusivamente** com a pressão indicada na chapa de características. Utilize apenas um regulador de pressão com ajuste fixo em conformidade com as normas nacionais (na Europa EN 12864).

Perigo de incêndio

- Sempre que utilizar massa de vedação à base de silicone, ou afins, garanta um processamento limpo e sem resíduos. Se os fios de silicone entrarem em contacto com componentes quentes ou chamas abertas, existe perigo de incêndio.
- Nunca verificar o frigorífico quanto a fugas com uma chama aberta.
- Utilize apenas gás propano ou butano (**nunca** gás natural).

Risco para a saúde

- Se o frigorífico apresentar danos visíveis, não pode ser colocado em funcionamento.
- Se o cabo de conexão da corrente alternada do frigorífico se danificar, tem de ser substituído pelo fabricante, pelo seu serviço de assistência técnica ou por uma pessoa com qualificações equivalentes, de forma a evitar perigos.
- As reparações neste frigorífico só podem ser realizadas por técnicos especializados. As reparações inadequadas podem originar perigos substanciais.

Risco de asfixia

- Para eliminação do frigorífico usado, desmonte todas as portas, deixe as prateleiras no seu interior, para evitar que alguém fique preso no seu interior ou possa, eventualmente, asfixiar.

**PRECAUÇÃO! O incumprimento destas advertências poderá resultar em ferimentos ligeiros ou moderados.****Eletrocussão**

- Antes da colocação em funcionamento, certifique-se de que o cabo de alimentação e a ficha estão secos.

Perigo de esmagamento

- Não toque na dobradiça.

**NOTA! Perigo de danos**

- Durante o transporte, pegue no frigorífico apenas pelo corpo de transporte. Nunca pegue no frigorífico pelo agregado de absorção, pelas aletas de refrigeração, pelos tubos de gás, pela porta ou pela guarnição de comando.
- Durante o transporte, tenha atenção para não danificar o circuito de refrigeração. O líquido refrigerante no circuito de refrigeração é facilmente inflamável.

Em caso de dano no circuito de refrigeração (odor a amoníaco):

- Caso necessário, desligar o frigorífico.
 - Evite chamas abertas ou faíscas causadoras de incêndio.
 - Ventile bem o espaço.
- Não monte o frigorífico na proximidade de chamas abertas ou outras fontes de calor (aquecimento, fogões a gás, etc.).
 - **Perigo de sobreaquecimento!**
Tenha sempre atenção para que o calor gerado durante o funcionamento seja dissipado adequadamente. Certifique-se de que o frigorífico está posicionado a uma distância suficiente de paredes ou objetos de modo a que o ar possa circular livremente.
 - Compare a indicação da tensão na placa de especificações com a alimentação de energia existente.
 - Não abra, em caso algum, o circuito de refrigeração.
 - Ligue o frigorífico à tomada de corrente alternada apenas com o respetivo cabo de conexão.
 - Utilize apenas cabos com a secção transversal correspondente.

- Nunca retire a ficha da tomada elétrica puxando pelo cabo de conexão.
- O frigorífico não pode ser exposto à chuva.

3 Acessórios

Designação

Tubagem de gás flexível

Vedante para uma montagem protegida de correntes de ar para juntas de 1 – 5 mm (fig. **8 B**, página 6)

Vedante para uma montagem protegida de correntes de ar para juntas de 5 – 10 mm (fig. **8 C**, página 6)

Cobertura de inverno WA 130 para a grelha de ventilação LS 200

Cabo adaptador

- WAGO para CEE
- WAGO para UK
- WAGO para JST
- WAGO para MATE-N-LOK

Kit ventilador opcional REF-FANKIT

Conjunto de pilhas opcional R10-BP para o funcionamento a gás independente

Kit de armazenamento opcional

4 Montar o frigorífico



PRECAUÇÃO! Risco para a saúde

Para evitar riscos devido à instabilidade do aparelho, este tem de ser fixado de acordo com as instruções.



Para mudar o batente da porta e a placa decorativa, consulte o manual de instruções online em:
"dometic.com/manuals".

O aparelho é adequado para a montagem em:

- caravanas
- autocaravanas

4.1 Preparar a montagem



NOTA!

- O frigorífico não pode ser montado na traseira de autocaravanas com a porta virada para o sentido da marcha.
- Use exclusivamente grelhas de ventilação originais da Dometic para garantir um funcionamento seguro.

Durante a montagem do frigorífico, tenha em conta as seguintes indicações:

- Assegure-se de que o piso é sólido e plano.
Para isso, estacione o veículo horizontalmente.
- Assegure-se de que o frigorífico está nivelado.
- O frigorífico tem de ser montado de modo a facilitar
 - o acesso para os trabalhos de assistência
 - a desmontagem e a montagem
 - a remoção do veículo
- O frigorífico tem de ser instalado num nicho de modo a permanecer seguro durante a deslocação do veículo. Ter em consideração as seguintes dimensões (fig. **1**, página 3 e fig. **2**, página 4):

	RM10.5(S)(T)	RMS10.5(S)(T)	RMS10.5X(S)(T)
Frigorífico	Dimensões totais em mm		
Altura (A)	821	821	821
Largura (B)	523	523	523
Profundidade (C) (excluindo o botão de controlo de 5 mm)	548	548	603
Nicho	Dimensões em mm		
Altura (H)	≥824	≥824	≥824
Largura (W)	≥525,5	≥525,5	≥525,5
Profundidade (D)	≥563	≥563	≥618

- A parede exterior tem de ser equipada com uma abertura de entrada de ar (fig. **3** 1, página 4) e uma abertura de saída de ar (fig. **3** 2, página 4) com grelhas de ventilação, por forma que o calor gerado possa ser conduzido facilmente para o exterior:
 - Abertura de entrada de ar: coloque a grelha de ventilação de forma tão alinhada quanto possível com a base do nicho de montagem.
 - Abertura de saída de ar: colocada o mais acima possível do frigorífico.
 - A distância entre as aberturas de entrada e saída de ar tem de ser de, no mínimo, 1050 mm (fig. **4**, página 4).
- Instale um defletor térmico (fig. **4** 1, página 4) por cima do frigorífico para que o calor não fique acumulado no interior do veículo.
- A distância entre o frigorífico e a parede traseira tem de ser de, pelo menos, 15 mm, mas não mais do que 25 mm.
- Uma distância superior a 25 mm entre o frigorífico e a parede traseira leva à perda de potência e ao aumento do consumo de energia do frigorífico. Reduza o espaço livre atrás do frigorífico de modo a obter uma entrada e uma saída de ar adequadas (fig. **5**, página 5). Para isso, utilize, por exemplo, um defletor de ar.
- Se não for possível manter a distância mínima entre a entrada e a saída de ar, será necessário instalar um ventilador de tejadilho em vez da abertura de saída de ar.
 - O ventilador de tejadilho deverá ser instalado o mais diretamente possível acima da parte traseira do frigorífico. Utilize uma conduta de ar (fig. **6** 1, página 5) se tiver de instalar o ventilador de tejadilho de modo deslocado; caso contrário, o calor pode acumular-se aí.
 - A distância entre a abertura de entrada de ar e o ventilador de tejadilho tem de ser de, pelo menos, 900 mm (fig. **6**, página 5).
 - Se o tejadilho estiver equipado com um sistema de ar condicionado, a distância entre o ventilador de tejadilho (fig. **7** 1, página 6) e a saída de ar do sistema de ar condicionado no tejadilho (fig. **7** 2, página 6) tem de ser de, pelo menos, 300 mm.
- O frigorífico não pode ser montado no lado das aberturas de entrada e saída de ar, pois tal provocará uma perda de potência e o aumento do consumo de energia do frigorífico.
- As aberturas de entrada e saída de ar não podem ficar tapadas por partes do veículo (uma porta aberta ou acessórios montados, como porta-bicicletas, p. ex.) durante o funcionamento.
- Instale o frigorífico de modo a protegê-lo de calor excessivo, pois este provocará um desempenho fraco e aumentará o consumo de energia do frigorífico.
- O frigorífico tem de ser instalado num local protegido de correntes de ar.

4.2 Montar o frigorífico num local protegido de correntes de ar



AVISO! Perigo de incêndio!

- Para uma montagem protegida de correntes de ar, não utilize materiais inflamáveis tais como massa vedante à base de silicone, espuma ou semelhantes.
- Posicione o aparelho de modo que nenhum cabo de conexão seja danificado ou fique esmagado.
- Não use tomadas múltiplas nem adaptadores de energia portáteis por trás do aparelho.

Os frigoríficos operados a gás em caravanas ou autocaravanas têm de ser instalados num local protegido de correntes de ar. Isto significa que o ar de combustão não é extraído do interior, impedindo-se, assim, a entrada direta dos gases de exaustão no habitáculo.

Entre a parede traseira do frigorífico e o espaço interior do veículo há que instalar uma vedação adequada.

O fabricante recomenda a utilização de uma vedação flexível, de modo a facilitar a montagem e desmontagem para fins de manutenção.

Selecione uma das três versões para a montagem protegida de correntes de ar (fig. **8**, página 7):

Barra de encosto por trás do frigorífico (A)

- ▶ Cole um lábio de vedação flexível (**1**) à barra de encosto (**2**) por trás do frigorífico (**3**).
- ▶ Empurre o combinado frigorífico/forno contra a barra de encosto com os lábios de vedação flexíveis.
- ✓ O espaço por trás do frigorífico está vedado para o interior do veículo.

Distância da junta lateral até 5 mm entre o frigorífico e os móveis (B)

- ▶ Cole os lábios de vedação (ver capítulo “Acessórios” na página 80) no lado dos móveis (**4**).
- ▶ Empurre o combinado frigorífico/forno contra os lábios de vedação flexíveis nos móveis.
- ✓ O espaço por trás do frigorífico está vedado para o interior do veículo.

Distância da junta lateral de 5 a 10 mm entre o frigorífico e os móveis (B)

- ▶ Cole a vedação de lábio duplo (ver capítulo “Acessórios” na página 80) no lado dos móveis (4).
- ▶ Empurre o combinado frigorífico/forno contra a vedação de lábio duplo nos móveis.
- ✓ O espaço por trás do frigorífico está vedado para o interior do veículo.

4.3 Criar aberturas de entrada e saída de ar**OBSERVAÇÃO**

- Os desvios às variações da entrada e saída de ar aqui representados têm de ser aprovados pelo fabricante.
- Em caso de temperaturas ambiente extremas, o frigorífico só consegue atingir a sua potência de refrigeração máxima se tiver sido providenciada uma ventilação ideal.

- ▶ Faça aberturas de entrada e saída de ar na parede exterior com uma dimensão de 451 mm x 156 mm.

Para isso, tenha em atenção as indicações, ver capítulo “Preparar a montagem” na página 81.

Se a grelha de ventilação da abertura de entrada de ar não puder ser instalada de forma alinhada com o piso do nicho, instale uma abertura de entrada de ar no chão. Eventuais fugas de gás poderão, assim, fluir para baixo.

- ▶ Faça uma abertura de entrada de ar no chão de, no mínimo, $\varnothing 40$ mm (fig. **9** 1, página 8) por trás do frigorífico, ao lado do queimador a gás.
- ▶ Resguarde o exterior da abertura com um defletor de modo a evitar a entrada de resíduos ou sujidades durante a viagem (fig. **9** 2, página 8).

Se tiver de usar um ventilador de tejadilho em vez da abertura de saída de ar:

- ▶ Faça um recorte no tejadilho. Consulte as dimensões necessárias no manual do ventilador de tejadilho.
Ao fazê-lo, tenha em atenção as informações no capítulo “Preparar a montagem” na página 81.

4.4 Instalar a grelha de ventilação



OBSERVAÇÃO

Use exclusivamente grelhas de ventilação originais da Dometic para garantir um funcionamento seguro.

N.º na fig. 10, página 8	Designação
1	Armação de montagem
2	Grelha de ventilação
3	Patilha deslizante
4	Cobertura de inverno para a grelha de ventilação (acessórios)
5	Adaptador para a mangueira de escoamento da água de condensação

- ▶ Vede a armação de montagem para tornar a conexão estanque (fig. 11, página 8).
- ▶ Insira a armação de montagem e aparafuse-a firmemente (fig. 12, página 8). Para tal, utilize todos os orifícios de fixação.
- ▶ Instale o adaptador da mangueira conforme ilustrado (fig. 13 1, página 9).
- ▶ Insira a grelha de ventilação conforme ilustrado (fig. 14, página 9).

4.5 Instalar o dreno de condensação



OBSERVAÇÃO

- É possível que se forme condensação no interior do frigorífico devido a uma abertura frequente da porta, ao armazenamento incorreto de géneros alimentícios ou ao armazenamento de géneros alimentícios ainda quentes.
- A condensação tem de ser drenada com uma inclinação constante.

Instale o dreno da seguinte forma:

- ▶ Insira a mangueira de condensação diretamente no adaptador na grelha de ventilação (fig. 13 2 página 9).

4.6 Montar o ventilador de tejadilho

N.º na fig. 15, página 9	Designação
1	Cobertura
2	Armação de montagem

- ▶ Vede a armação de montagem para tornar a conexão estanque (fig. 16, página 9).
- ▶ Insira a armação de montagem e aparafuse-a firmemente (fig. 17, página 10). Para tal, utilize todos os orifícios de fixação.
- ▶ Insira a cobertura e aparafuse-a bem (fig. 18, página 10).

4.7 Fixar o frigorífico



PRECAUÇÃO!

Aparafuse apenas através dos orifícios previstos para o efeito, caso contrário, os componentes com espuma, tais como cabos, podem ficar danificados.



OBSERVAÇÃO

Fixe as paredes laterais ou os frisos instalados de modo que os parafusos fiquem bem apertados, mesmo sob cargas elevadas (durante viagens).

- ▶ Mova o frigorífico para a sua localização final.
- ▶ Fixe os parafusos (fig. 19 1, página 10) através da anilha de plástico nas paredes laterais do frigorífico até alcançar a parede.
- ▶ Coloque as tampas (fig. 19 2, página 10) nas cabeças dos parafusos.

5 Conectar o frigorífico

5.1 Ligar à alimentação de gás



AVISO! O incumprimento destes avisos poderá resultar em morte ou ferimentos graves. Risco para a saúde

- Este frigorífico só pode ser ligado à alimentação de gás por um técnico qualificado, de acordo com as regulamentações e normas nacionais em vigor.
- **Não** é permitida a ligação através de uma mangueira.
- Utilize uma conexão de parafuso selada com metal.
- O filtro de gás (branco) na conexão de gás do frigorífico não pode ser removido.
- Utilize apenas botijas de gás propano ou butano (nunca gás natural ou gás de cidade) com uma válvula redutora de pressão aprovada e uma peça de topo adequada. Compare a indicação da pressão na chapa de características com a indicação da pressão no regulador de pressão da botija de gás propano ou butano.
- Coloque o frigorífico em funcionamento **exclusivamente** com a pressão indicada na chapa de características.
- Coloque o frigorífico em funcionamento **exclusivamente** com o tipo de gás indicado na chapa de características.
- Respeite as pressões permitidas no seu país. Utilize apenas um regulador de pressão com ajuste fixo em conformidade com as normas nacionais.



OBSERVAÇÃO

Opcionalmente, pode usar o tubo flexível de ligação de gás da Dometic para manter a instalação isenta de tensão.

O frigorífico tem de poder ser desconectado da linha de gás separadamente através de um dispositivo de corte. O dispositivo de desconexão tem de ser facilmente acessível.

- ▶ Ligue o frigorífico manualmente e de forma segura à alimentação de gás (fig. 20, página 10):



AVISO! Perigo de explosão

É muito importante respeitar os seguintes binários de aperto:

Posição na fig. 20, página 10	Designação
1	Parafuso M4 (Torx TX20), Binário de aperto: 2 Nm
2	Conexão de gás do frigorífico: M14 x 1,5 (d = 8 mm/ISO 8434 (DIN 2353))
3	Tubo de gás com anel de acoplamento (tamanho 17), Binário de aperto: 25 Nm

- ▶ Solicite a execução de um teste de fugas e de um teste de chamas por um especialista autorizado depois de efetuada uma montagem profissional. Solicite um comprovativo de inspeção e entregue este comprovativo ao consumidor final, que o deverá conservar.

5.2 Ligar à corrente contínua (CC) e corrente alternada (CA)



AVISO! O incumprimento destes avisos poderá resultar em morte ou ferimentos graves. Risco de eletrocussão

A instalação elétrica e as reparações só podem ser realizadas por um técnico de acordo com as regulamentações e normas nacionais em vigor.



OBSERVAÇÃO

- A ficha do aparelho não pode ser colocada diretamente atrás da grelha de ventilação para evitar que a circulação do ar seja de alguma forma limitada e para proteger a ficha do aparelho contra salpicos de água.
- A ficha do aparelho do cabo de conexão de corrente alternada não pode ser cortada.
- Os cabos de conexão têm de ser instalados de modo a não tocarem em peças quentes do agregado/queimador nem em arestas afiadas.
- Alterações na instalação elétrica interna ou a conexão de outros componentes elétricos (p. ex., ventiladores adicionais de terceiros) à cablagem interna do frigorífico levam à anulação de qualquer direito relacionado com a garantia e responsabilidade pelo produto.
- Os frigoríficos RM 10.5 e RMS 10.5 dispõem de uma interface de bus CI e podem ser controlados através de um monitor do veículo central compatível.

Esquema de ligações do frigorífico (fig. 21, página 11)

Posição na fig. 21, página 11	Designação
1	Ventilador 1 (se o módulo de opções estiver disponível)
2	Módulo de opções (opcional)
3	Fonte de alimentação de corrente contínua para o forno (se o módulo de opções estiver disponível)
4	Fonte de alimentação de corrente contínua para o módulo de alimentação
5	NTC 2: temperatura exterior (opcional)
6	NTC 1: Sensor de temperatura de alimentos frescos
7	Válvula de gás
8	Iluminação
9	Interruptor Reed
10	S+ (opcional)
11	Elemento de aquecimento de corrente contínua

Posição na fig. 21, página 11	Designação
12	Fusível de 15 A
13	Relé de corrente contínua para o cartucho de aquecimento
14	Entrada de gás
15	Bloco de conexão de corrente contínua
16	Cabo de alimentação de corrente contínua para o sistema eletrónico
17	Cabo de alimentação de corrente contínua para o elemento de aquecimento
18	Ligação bus CI
19	Conexão de corrente alternada
20	Elemento de aquecimento de corrente alternada
21	Terra
22	Proteção de corrente alternada de terra
23	Eléctrodo de ignição
24	Módulo de alimentação
25	Módulo de indicação

Alimentação por corrente contínua



AVISO! Perigo de incêndio

- A linha de alimentação até ao elemento de aquecimento tem de estar protegida por um fusível de 15 A.
- A linha de alimentação até ao sistema eletrónico tem de estar protegida por um fusível de 2 A.



NOTA!

As respetivas linhas de alimentação positiva e negativa das conexões de corrente contínua para o sistema eletrónico (fig. 21 16, página 11) e para o elemento de aquecimento (fig. 21 17, página 11) **não** podem ser unidas e instaladas num único fio. Tal poderá causar interferências elétricas ou danos nos componentes elétricos.

Tenha em atenção as seguintes dimensões dos cabos (fig. **22**, página 13):

- Conexões do elemento de aquecimento:
 - < 6 m (no interior): $\geq 6 \text{ mm}^2$
 - > 6 m (no interior): $\geq 10 \text{ mm}^2$
 - Cabo alimentado pela lança de tração (apenas caravanas): $\geq 2,5 \text{ mm}^2$
- Conexões do sistema eletrónico: $\geq 0,75 \text{ mm}^2$
- Conexões D+ e S+: $\geq 0,75 \text{ mm}^2$

► Monte a sua tomada de corrente contínua conforme indicado em seguida (fig. **21**, página 11):

- Ligue **A** e **C** ao polo positivo da bateria.
- Ligue **D** e **F** a terra.
- Ligue **B** ao sinal D+.

O sistema eletrónico do frigorífico usa o sinal D+ do alternador para reconhecer que o motor do veículo está a trabalhar. No modo automático, o frigorífico seleciona o modo de funcionamento mais favorável. O frigorífico funciona exclusivamente com corrente contínua quando o motor do veículo está a trabalhar.

- Ligue **E** ao bus Cl.

► Ligue **10** ao sinal S+ (opcional).

► Proteja a linha de alimentação **A** com um fusível de 2 A no distribuidor do veículo.

► Proteja a linha de alimentação **C** com um fusível de 15 A no distribuidor do veículo.


► Passe a linha de alimentação **C** por um relé controlado pela ignição.

Isto evita que a bateria se descarregue completamente se o motor for inadvertidamente desligado.

Alimentação por corrente alternada

► Ligue o frigorífico a uma tomada CA utilizando a ficha do aparelho.

6 Dados técnicos

	RM10.5(S)(T)	RMS10.5(S)(T)	RMS10.5X(S)(T)
Tensão de conexão:	230 V~ /50 Hz 12 V===		
Volume			
Volume bruto:	88 l	78 l	92 l
Compartimento do frigorífico:	78,7 l	69,1 l	80,3 l
Congelador:	9,2 l	9,2 l	12,1 l
Capacidade líquida total:	86 l	76 l	90 l
Exceto congelador			
Volume bruto:	93 l	83 l	98 l
Volume líquido:	91 l	81 l	96 l
Potência de entrada:	135 W (230 V~) 130 W (12 V===)		
Consumo de energia:	2,8 kWh/24 h (230 V~)	2,5 kWh/24 h (230 V~)	3,2 kWh/24 h (230 V~)
Consumo de gás:	270 g/24 h		
Pressão da conexão de gás:	30 mbar		
Classe de climatização:	SN		
Dimensões A x L x P:	821 x 523 x 548 mm		821 x 523 x 603 mm
Peso:	28 kg	27,4 kg	29 kg
Inspeção/certificação:			

Para consultar a Declaração de Conformidade UE atual para o seu aparelho, aceda à página do produto em questão em dometic.com ou entre diretamente em contacto com o fabricante (ver verso).

Prima di effettuare il montaggio e la messa in funzione leggere accuratamente questo manuale di istruzioni, conservarlo e in caso di trasmissione del prodotto, consegnarlo all'utente successivo.



NOTA

Per indicazioni sul funzionamento, consultare il manuale di istruzioni.

Indice

1	Spiegazione dei simboli	93
2	Istruzioni per la sicurezza	94
3	Accessori	96
4	Montaggio del frigorifero	96
5	Collegamento del frigorifero	103
6	Specifiche tecniche.	108

1 Spiegazione dei simboli



AVVERTENZA!

Indicazione di sicurezza che segnala una situazione di pericolo che se non evitata può provocare morte o gravi lesioni.



ATTENZIONE!

Indicazione di sicurezza che segnala una situazione di pericolo che se non evitata può provocare lesioni lievi o di gravità media.



AVVISO!

Indicazione di una situazione che se non evitata può provocare danni materiali.



NOTA

Informazioni integranti relative all'impiego del prodotto.

2 Istruzioni per la sicurezza

Il produttore non si assume nessuna responsabilità per danni nei seguenti casi:

- errori di montaggio o di allacciamento
- danni al prodotto dovuti a influenze meccaniche o a un'errata tensione di allacciamento
- modifiche al prodotto senza esplicita autorizzazione del produttore
- impiego per altri fini rispetto a quelli descritti nel manuale di istruzioni



AVVERTENZA! La mancata osservanza di queste avvertenze potrebbe causare la morte o lesioni gravi.

Pericolo di esplosione

- Non aprire mai il gruppo di assorbimento perché è sotto alta pressione e può causare lesioni se aperto.
- Il frigorifero deve essere azionato **esclusivamente** con la pressione indicata sulla targhetta. Utilizzare solo regolatori di pressione, a regolazione fissa, che rispettino le norme nazionali (in Europa EN 12864).

Pericolo di incendio

- Durante l'applicazione di mastice al silicone o simili far attenzione a non lasciare residui, perché se i filamenti di silicone entrano in contatto con fiamme libere c'è il rischio che prendano fuoco.
- Non usare mai fiamme libere per controllare eventuali difetti di tenuta del frigorifero.
- Impiegare solo propano o butano (**non** metano).

Pericolo per la salute

- Se il frigorifero presenta danni visibili, non metterlo in funzione.
- Se il cavo di collegamento per la corrente alternata di questo frigorifero viene danneggiato, per evitare pericoli, farlo sostituire dal produttore, dal suo servizio assistenza clienti o da personale con la qualifica necessaria.
- Il frigorifero può essere riparato solo da personale specializzato. Possono insorgere gravi pericoli in seguito a riparazioni non eseguite in maniera corretta.

Rischio di asfissia

- Per lo smaltimento, smontare tutte le porte del frigorifero e lasciare i piani d'appoggio al suo interno per impedire che qualcuno possa involontariamente chiudersi dentro e soffocare.



ATTENZIONE! La mancata osservanza di queste precauzioni potrebbe causare lesioni lievi o moderate.

Scossa elettrica

- Prima della messa in funzione, assicurarsi che la linea di alimentazione e la spina siano asciutte.

Pericolo di schiacciamento

- Non mettere le dita nella cerniera.



AVVISO! Pericolo di danni

- Fissare il frigorifero durante il trasporto solo utilizzando la struttura centrale. Non tenerlo fermo mai per il gruppo di assorbimento, le alette di raffreddamento, i tubi del gas, la porta o la copertura con i comandi.
- Prestare attenzione durante il trasporto a non danneggiare il circuito di raffreddamento. Il refrigerante nel circuito di raffreddamento è facilmente infiammabile.
In caso di danneggiamento del circuito di raffreddamento (odore di ammoniaca):
 - Disattivare eventualmente il frigorifero.
 - Evitare fiamme libere e scintille.
 - Areare bene l'ambiente.
- Non montare il frigorifero nelle vicinanze di fiamme libere o altre fonti di calore (riscaldamento, forni a gas, ecc.).
- **Pericolo di surriscaldamento!**
Assicurarsi sempre che il calore generato durante il funzionamento fuoriesca sufficientemente. Fare in modo che la distanza fra il frigorifero e le pareti o altri oggetti sia tale da permettere all'aria di circolare liberamente.
- Confrontare i dati della tensione riportati sulla targhetta con quelli delle prese e degli attacchi disponibili.
- Non aprire in nessun caso il circuito di raffreddamento.
- Collegare il frigorifero alla presa di corrente alternata usando esclusivamente il cavo previsto per l'allacciamento alla corrente alternata.
- Utilizzare solo cavi con una sezione corrispondente.
- Non estrarre mai la spina dalla presa tirando il cavo di collegamento.
- Non esporre il frigorifero alla pioggia.

3 Accessori

Descrizione

Tubo flessibile del gas

Guarnizione per il montaggio indipendente dall'aria circostante per fessure di 1 – 5 mm (fig. **8 B**, pagina 6)

Guarnizione per il montaggio indipendente dall'aria circostante per fessure di 5 – 10 mm (fig. **8 C**, pagina 6)

Copertura invernale WA 130 per la griglia di ventilazione LS200

Cavo adattatore

- WAGO a CEE
- WAGO a UK
- WAGO a JST
- WAGO a MATE-N-LOK

Kip REF-FANKIT per ventola opzionale

Pacco batterie opzionale Pack R10-BP per funzionamento autonomo a gas

Kit di stoccaggio opzionale

4 Montaggio del frigorifero



ATTENZIONE! Pericolo per la salute

Per evitare pericoli a causa dell'instabilità dell'apparecchio, fissarlo secondo le istruzioni.



Il manuale di istruzioni per la sostituzione del fermaporta e del pannello decorativo sono disponibili online all'indirizzo: "dometic.com/manuals".

L'apparecchio è adatto per essere installato in:

- caravan
- motorhome

4.1 Operazioni preliminari al montaggio



AVVISO!

- Il frigorifero non può essere installato nella parte posteriore dei caravan con la porta rivolta in direzione di marcia.
- Al fine di garantire un funzionamento sicuro, utilizzare esclusivamente griglie di ventilazione originali Dometic.

Durante il montaggio del frigorifero, prestare attenzione alle seguenti indicazioni:

- Assicurarsi che il pavimento sia solido e piano.
A tal fine parcheggiare il veicolo in piano.
- Assicurarsi che il frigorifero sia in piano.
- Il frigorifero deve essere installato in modo da
 - essere facilmente accessibile per i lavori di manutenzione
 - permettere uno smontaggio e montaggio facili
 - essere rimosso facilmente dal veicolo
- Il frigorifero deve essere montato in una nicchia affinché rimanga sicuro quando il veicolo è in movimento. Osservare le seguenti dimensioni (fig. **1**, pagina 3 e fig. **2**, pagina 4):

	RM10.5(S)(T)	RMS10.5(S)(T)	RMS10.5X(S)(T)
Frigorifero	Dimensione complessive in mm		
Altezza (A)	821	821	821
Larghezza (B)	523	523	523
Profondità (C) (esclude la manopola 5 mm)	548	548	603
Recesso	Dimensioni in mm		
Altezza (H)	≥824	≥824	≥824
Larghezza (W)	≥525,5	≥525,5	≥525,5
Profondità (D)	≥563	≥563	≥618

- La parete esterna deve essere provvista di un'apertura di ventilazione (fig. **3** 1, pagina 4) e di una di sfiato (fig. **3** 2, pagina 4) con griglie di ventilazione per permettere al calore generato di essere rilasciato facilmente all'esterno:
 - Apertura di ventilazione: Inserire la griglia di ventilazione il più possibile a livello del pavimento della nicchia di montaggio.
 - Apertura di sfiato: montarla il più in alto possibile, sopra il frigorifero.
 - La distanza tra l'apertura di ventilazione e quella di sfiato deve essere di almeno 1050 mm (fig. **4**, pagina 4).
- Sul lato superiore del frigorifero, predisporre un deflettore di calore in lamiera (fig. **4** 1, pagina 4), affinché il calore non ristagni nel veicolo.
- La distanza tra il frigorifero e la parete posteriore deve essere di almeno 15 mm ma non superiore a 25 mm.
- Una distanza superiore a 25 mm tra il frigorifero e la parete posteriore porta a una riduzione delle prestazioni e a un aumento del consumo energetico del frigorifero. Ridurre lo spazio dietro il frigorifero in modo da consentire aerazione e sfiato (fig. **5**, pagina 5). A tal fine utilizzare ad esempio un deflettore.
- Se la distanza minima tra l'apertura di ventilazione e quella di sfiato non può essere rispettata, al posto dell'apertura di sfiato deve essere montato uno sfiato-toio a tetto.
 - Lo sfiato-toio a tetto deve essere montato direttamente sopra il lato posteriore del frigorifero. Per montare lo sfiato-toio a tetto in posizione sfalsata, utilizzare una condotta d'aria (fig. **6** 1, pagina 5) poiché altrimenti può verificarsi un accumulo di calore.
 - La distanza tra l'apertura di ventilazione e lo sfiato-toio a tetto deve essere di almeno 900 mm (fig. **6**, pagina 5).
 - Se è presente un climatizzatore a tetto, la distanza tra lo sfiato-toio a tetto (fig. **7** 1, pagina 6) e l'uscita dell'aria del climatizzatore (fig. **7** 2, pagina 6) deve essere di almeno 300 mm.
- Il frigorifero non deve essere montato accanto alle aperture di ventilazione e di sfiato poiché questo potrebbe ridurne le prestazioni e aumentarne il consumo energetico.
- Durante il funzionamento, l'apertura di ventilazione e quella di sfiato non devono essere coperte da parti del veicolo (ad es. da una porta aperta o da accessori come il portabiciclette).
- Installare il frigorifero in modo tale che sia protetto da un'eccessiva esposizione a fonti di calore, poiché queste ne causerebbero una riduzione delle prestazioni e un aumento del consumo energetico.
- Il frigorifero deve essere montato in modo da essere indipendente dall'aria circostante.

4.2 Montaggio del frigorifero indipendente dall'aria circostante



AVVERTENZA! Pericolo di incendio!

- Per il montaggio indipendente dall'aria circostante non utilizzare materiali facilmente infiammabili, come mastici al silicone, schiuma per montaggio o materiali simili.
- Posizionare l'apparecchio in modo che nessun cavo di collegamento venga danneggiato o schiacciato.
- Non utilizzare prese multiple o adattatori di alimentazione portatili dietro il dispositivo.

I frigoriferi con funzionamento a gas integrati in caravan o motorhome devono essere montati in posizione indipendente dall'aria circostante. Questo significa che l'aria di combustione non viene prelevata dall'abitacolo e i gas di scarico non possono entrare direttamente nella cellula abitativa.

Fra la parete posteriore del frigorifero e l'abitacolo del veicolo deve essere prevista una tenuta adatta.

Al fine di facilitare le operazioni di smontaggio e montaggio in fase di manutenzione, il produttore raccomanda di utilizzare una guarnizione flessibile.

Selezionare una delle tre versioni per il montaggio indipendente dall'aria circostante (fig. **8**, pagina 7):

Barra di bloccaggio dietro il frigorifero (A)

- Incollare un labbro di tenuta flessibile (**1**) alla barra di bloccaggio (**2**) dietro il frigorifero (**3**).
- Spingere il gruppo frigorifero-forno contro la barra di arresto con i labbri di tenuta flessibili.
- ✓ Lo spazio dietro il frigorifero è sigillato all'interno del veicolo.

Fessura laterale non superiore a 5 mm fra il frigorifero e il mobile (B)

- Incollare i labbri di tenuta (vedi capitolo "Accessori" a pagina 96) sul lato del mobile (**4**).
- Spingere il gruppo frigorifero-forno contro i labbri di tenuta flessibili sul mobile.
- ✓ Lo spazio dietro il frigorifero è sigillato all'interno del veicolo.

Fessura laterale compresa tra 5 mm e 10° mm fra il frigorifero e il mobile (C)

- ▶ Incollare la guarnizione a doppio labbro (vedi capitolo “Accessori” a pagina 96) sul lato del mobile (4).
- ▶ Spingere il gruppo frigorifero-forno contro la guarnizione a doppio labbro sul mobile.
- ✓ Lo spazio dietro il frigorifero è sigillato all'interno del veicolo.

4.3 Creazione delle aperture di ventilazione e di sfiato



NOTA

- Eventuali modifiche alle aperture di ventilazione e di sfiato qui descritte devono essere approvate dal produttore.
- A temperature ambiente elevate, il frigorifero può raggiungere la sua massima capacità di raffreddamento solo se provvisto di una ventilazione ottimale.

- ▶ Creare un'apertura di ventilazione e una di sfiato nella parete esterna di misura 451 mm x156 mm.

Durante questa operazione, attenersi alle indicazioni, vedi capitolo “Operazioni preliminari al montaggio” a pagina 97.

Se la griglia di ventilazione dell'apertura di ventilazione non può essere montata a filo con il pavimento della nicchia di montaggio, montare l'apertura di ventilazione nel pavimento: eventuali fuoriuscite di gas possono così defluire verso il basso.

- ▶ Dietro il frigorifero, in prossimità del bruciatore, realizzare nel pavimento (fig. 9 1, pagina 8) un'apertura di ventilazione di almeno 40 mm di Ø.
- ▶ Schermare l'esterno dell'apertura con un deflettore, affinché durante la marcia non possano penetrarvi fango o sporcizia (fig. 9 2, pagina 8).

Se al posto dell'apertura di sfiato si deve utilizzare uno sfiatatoio a tetto:

- ▶ Preparare un'apertura sul tetto. Per le corrette dimensioni, consultare il manuale di istruzioni dello sfiatatoio a tetto.
Per l'operazione, attenersi alle indicazioni, vedi capitolo “Operazioni preliminari al montaggio” a pagina 97.

4.4 Montaggio della griglia di ventilazione



NOTA

Al fine di garantire un funzionamento sicuro, utilizzare esclusivamente griglie di ventilazione originali Dometic.

N. nella fig. 10 , pagina 8	Descrizione
1	Telaio di montaggio
2	Griglia di ventilazione
3	Fermo
4	Copertura invernale per la griglia di ventilazione (accessorio)
5	Adattatore per il tubo di scarico della condensa

- Sigillare il telaio di montaggio affinché il collegamento sia a tenuta stagna (fig. **11**, pagina 8).
- Inserire il telaio di montaggio e serrarlo (fig. **12**, pagina 8). A tale scopo utilizzare tutti i fori di fissaggio.
- Installare l'adattatore del tubo flessibile come mostrato in figura (fig. **13** 1, pagina 9).
- Inserire la griglia di ventilazione come raffigurato (fig. **14**, pagina 9).

4.5 Montaggio dello scarico dell'acqua di condensa



NOTA

- All'interno del frigorifero può formarsi acqua di condensa per effetto di frequenti aperture della porta, di generi alimentari conservati scorrettamente o di generi alimentari riposti nel frigorifero quando sono ancora troppo caldi.
- La condensa deve essere fatta defluire per mezzo di una pendenza costante.

Installare lo scarico dell'acqua di condensa nel seguente modo.

- Fissare il tubo flessibile dell'acqua di condensa direttamente all'adattatore sulla griglia di ventilazione (fig. **13** 2 pagina 9).

4.6 Montaggio dello sfiatatoio a tetto

N. nella fig. 15 , pagina 9	Descrizione
1	Calotta
2	Telaio di montaggio

- ▶ Sigillare il telaio di montaggio affinché il collegamento sia a tenuta stagna (fig. **16**, pagina 9).
- ▶ Inserire il telaio di montaggio e serrarlo (fig. **17**, pagina 10). A tale scopo utilizzare tutti i fori di fissaggio.
- ▶ Inserire la calotta e serrarla (fig. **18**, pagina 10).

4.7 Fissaggio del frigorifero



ATTENZIONE!

Forare sempre attraverso le apposite boccole, altrimenti vi è il rischio di danneggiare componenti schiumati, come cavi e simili.



NOTA

Fissare le pareti laterali o i listelli applicati, in modo tale che le viti restino in posizione anche in caso di aumento del carico (durante la marcia del veicolo).

- ▶ Spostare il frigorifero nella sua posizione definitiva.
- ▶ Avvitare le viti (fig. **19** 1, pagina 10) attraverso le sei boccole in plastica nelle pareti laterali del frigorifero e quindi nella parete della nicchia.
- ▶ Posizionare i cappucci di protezione (fig. **19** 2, pagina 10) sulle teste delle viti.

5 Collegamento del frigorifero

5.1 Collegamento all'alimentazione del gas



AVVERTENZA! La mancata osservanza di queste avvertenze potrebbe causare la morte o lesioni gravi. Pericolo per la salute

- Il frigorifero può essere collegato all'alimentazione del gas solo da uno specialista in conformità alle prescrizioni e alle norme vigenti nazionali.
- Un raccordo del flessibile **non** è consentito.
- Utilizzare un collegamento a vite sigillato in metallo.
- Il filtro del gas (bianco) nel raccordo del gas del frigorifero non deve essere rimosso.
- Impiegare solo bombole di gas propano o butano (non metano, né gas di città) con valvola di riduzione della pressione certificata e con un cappuccio appropriato. Confrontare i dati della pressione riportati sulla targhetta con quelli indicati sul regolatore di pressione della bombola di gas propano o butano.
- Far funzionare il frigorifero **esclusivamente** con la pressione indicata sulla targhetta.
- Far funzionare il frigorifero **esclusivamente** con il tipo di gas indicato sulla targhetta.
- Osservare i valori della pressione autorizzati nel proprio Paese. Utilizzare solo regolatori di pressione a regolazione fissa che rispettino le norme nazionali.



NOTA

Come opzione è possibile utilizzare il tubo di collegamento flessibile del gas Dometic per evitare tensioni durante il montaggio.

Il frigorifero deve poter essere bloccato separatamente mediante un dispositivo di blocco nel tubo del gas. Il dispositivo di blocco deve essere facilmente accessibile.

- Collegare il frigorifero all'alimentazione del gas (fig. **20**, pagina 10) in modo fisso e privo di tensione:



AVVERTENZA! Pericolo di esplosione

È molto importante mantenere le seguenti coppie di serraggio:

Posizione nella fig. 20 , pagina 10	Descrizione
1	Vite M4 (Torx TX20), Coppia di serraggio: 2 Nm
2	Collegamento del gas del frigorifero: M14 x 1,5 (d = 8 mm/ISO 8434 (DIN 2353))
3	Tubo del gas con accoppiamento ad anello (dimensione 17) Coppia di serraggio: 25 Nm

- Al termine dell'installazione, far eseguire da un esperto autorizzato un controllo della tenuta e una prova con la fiamma.
Far emettere una certificazione di tale verifica e consegnarla all'utente finale per la conservazione.

5.2 Allacciamento alla corrente continua e alternata



AVVERTENZA! La mancata osservanza di queste avvertenze potrebbe causare la morte o lesioni gravi. Pericolo di scosse elettriche

L'installazione elettrica e le riparazioni possono essere eseguite solo da personale specializzato in conformità alle prescrizioni e alle norme vigenti nazionali.

**NOTA**

- La spina dell'apparecchio non deve essere posizionata direttamente dietro la griglia di ventilazione: in questo modo si evita di ostacolare la circolazione dell'aria e si protegge la spina dagli spruzzi d'acqua.
- La spina dell'apparecchio del cavo di collegamento a corrente alternata non deve essere tagliata.
- I cavi di collegamento devono essere posati in maniera tale che non entrino in contatto con parti calde del gruppo refrigerante/bruciatore o con bordi taglienti.
- Eventuali modifiche all'installazione elettrica interna o il collegamento di altri componenti elettrici (ad es. una ventola esterna aggiuntiva) al cablaggio interno del frigorifero fanno decadere qualsiasi richiesta di garanzia o responsabilità del produttore.
- I frigoriferi RML10.5 ed RML10.5 sono dotati di interfaccia CI-BUS e possono essere controllati per mezzo di un display centrale del veicolo compatibile.

Schema elettrico del frigorifero (fig. 21, pagina 11)

Posizione nella fig. 21, pagina 11	Descrizione
1	Ventola 1 (se il modulo opzioni è disponibile)
2	Modulo opzioni (opzionale)
3	Alimentazione CC forno (se il modulo opzioni è disponibile)
4	Modulo alimentazione CC
5	NTC 2: temperatura esterna (optional)
6	NTC 1: Sensore di temperatura dei cibi freschi
7	Valvola del gas
8	Illuminazione
9	Interruttore Reed
10	S+ (opzionale)
11	Elemento riscaldante CC
12	Fusibile da 15 A
13	Relè CC per cartuccia di riscaldamento

Posizione nella fig. 21, pagina 11	Descrizione
14	Ingresso gas
15	Blocco di collegamento CC
16	Cavo alimentazione CC elettronica
17	Cavo alimentazione CC elemento riscaldante
18	Connessione CI-Bus
19	Collegamento per corrente alternata
20	Elemento riscaldante CA
21	Terra
22	Protezione terra CA
23	Elettrodo di accensione
24	Modulo di alimentazione
25	Modulo display

Corrente continua



AVVERTENZA! Pericolo di incendio

- L'alimentazione dell'elemento riscaldante deve essere provvista di fusibile da 15 A.
- L'alimentazione del sistema elettronico deve essere provvista di fusibile da 2 A.



AVVISO!

Le rispettive linee di alimentazione positiva e negativa dei collegamenti di corrente continua per il sistema elettronico (fig. 21 16, pagina 11) e l'elemento riscaldante (fig. 21 17, pagina 11) **non** devono essere collegate insieme e trasportate su un unico filo. Ciò potrebbe causare un'interferenza elettrica o il danneggiamento dei componenti elettrici.

Osservare le seguenti sezioni del cavo: (fig. 22, pagina 13):



- Connessioni elemento riscaldante:
 - <6 m (all'interno): $\geq 6 \text{ mm}^2$
 - >6 m (all'interno): $\geq 10 \text{ mm}^2$
 - Cavi condotti attraverso il timone (solo caravan): $\geq 2,5 \text{ mm}^2$

- Elettronica di collegamento: $\geq 0,75 \text{ mm}^2$
- Collegamenti D+ e S+: $\geq 0,75 \text{ mm}^2$
- Montare la presa a corrente continua come segue (fig. **21**, pagina 11):
 - Collegare **A** e **C** al polo positivo della batteria.
 - Collegare **D** e **F** e collegare D e F a massa.
 - Collegare **B** al segnale D+.
Per riconoscere se il motore del veicolo è in funzione l'elettronica del frigorifero utilizza il segnale D+ dell'alternatore. In modalità di funzionamento automatico il frigorifero seleziona la modalità di funzionamento più economica. Il frigorifero funziona a corrente continua solo se il motore del veicolo è acceso.
 - Collegare **E** al CI-BUS.
- Collegare **10** con il segnale S+ (opzionale).
- Proteggere la linea di alimentazione **A** con un fusibile 2 A nel distributore principale del veicolo.
- Proteggere la linea di alimentazione **C** con un fusibile 15 A nel distributore principale del veicolo.
- Portare l'alimentazione **C** attraverso un relè comandato dal blocchetto dell'accensione.
In questo modo si evita che la batteria si scarichi completamente se il motore viene spento accidentalmente.

Corrente alternata

- Collegare il frigorifero a una presa CA utilizzando la spina dell'apparecchio.

6 Specifiche tecniche

	RM10.5(S)(T)	RMS10.5(S)(T)	RMS10.5X(S)(T)
Tensione di allacciamento:	230 V~ /50 Hz 12 V==		
Capienza			
Volume interno:	88 l	78 l	92 l
Vano frigorifero:	78,7 l	69,1 l	80,3 l
Cella freezer:	9,2 l	9,2 l	12,1 l
Capienza totale netta:	86 l	76 l	90 l
Esclusa la cella freezer			
Volume interno:	93 l	83 l	98 l
Capacità netta:	91 l	81 l	96 l
Ingresso alimentazione:	135 W (230 V~) 130 W (12 V==)		
Consumo energetico:	2,8 kWh/24 h (230 V~)	2,5 kWh/24 h (230 V~)	3,2 kWh/24 h (230 V~)
Consumo di gas:	270 g/24 h		
Pressione di collegamento del gas:	30 mbar		
Classe climatica:	SN		
Dimensioni H x B x T:	821 x 523 x 548 mm		821 x 523 x 603 mm
Peso:	28 kg	27,4 kg	29 kg
Ispezione/certificazione:	 		

Per consultare l'attuale dichiarazione di conformità UE del dispositivo, visitare la pagina del prodotto in questione sul sito dometic.com, oppure contattare direttamente il produttore (vedi retro).

Lees deze handleiding voor de montage en de ingebruikname zorgvuldig door en bewaar hem. Geef de handleiding bij het doorgeven van het product aan de gebruiker.

**INSTRUCTIE**

Instructies voor bediening vindt u in de gebruiksaanwijzing.

Inhoudsopgave

1	Verklaring van de symbolen	109
2	Veiligheidsaanwijzingen	110
3	Toebehoren	112
4	Koelkast monteren	112
5	Koelkast aansluiten	119
6	Technische gegevens	124

1 Verklaring van de symbolen

**WAARSCHUWING!**

Veiligheidsaanwijzing met betrekking tot een gevaarlijke situatie die kan leiden tot ernstig letsel of de dood, als deze niet wordt vermeden.

**VOORZICHTIG!**

Veiligheidsaanwijzing met betrekking tot een gevaarlijke situatie die kan leiden tot licht of gemiddeld letsel, als deze niet wordt vermeden.

**LET OP!**

Aanwijzing met betrekking tot een situatie die kan leiden tot materiële schade, als deze niet wordt vermeden.

**INSTRUCTIE**

Meer informatie over de bediening van het product.

2 Veiligheidsaanwijzingen

De fabrikant kan in de volgende gevallen niet aansprakelijk worden gesteld voor schade:

- montage- of aansluitfouten
- beschadiging van het product door mechanische invloeden en verkeerde aansluitspanning
- veranderingen aan het product zonder uitdrukkelijke toestemming van de fabrikant
- gebruik voor andere dan de in de handleiding beschreven toepassingen



WAARSCHUWING! Niet in acht nemen van deze waarschuwingen kan leiden tot ernstig letsel of de dood.

Explosiegevaar

- Open het absorptieaggregaat nooit. Het staat onder hoge druk en kan letsel veroorzaken, als het wordt geopend.
- De koelkast mag **uitsluitend** met de op het typeplaatje aangegeven druk worden gebruikt. Gebruik alleen vast ingestelde drukregelaars die voldoen aan de nationale voorschriften (in Europa EN 12864).

Brandgevaar

- Let op een schone en restloze verwerking, als siliconenafdichtmassa en dergelijke wordt gebruikt. Bij contact van siliconendraden met hete delen of open vuur bestaat brandgevaar.
- De koelkast nooit met open vuur op lekkage controleren.
- Gebruik uitsluitend propaan- of butaangas (**geen** aardgas).

Gevaar voor de gezondheid

- Als de koelkast zichtbaar is beschadigd, mag hij niet in gebruik worden genomen.
- Als de wisselstroomaansluitkabel van deze koelkasten wordt beschadigd, moet deze om gevaar uit te sluiten worden vervangen door de fabrikant, diens klantenservice of een gelijkwaardig gekwalificeerd persoon.
- Reparaties aan deze koelkast mogen uitsluitend door vakmonteurs worden uitgevoerd. Door niet-vakkundige reparaties kunnen grote gevaren ontstaan.

Verstikkingsgevaar

- Demonteer bij de afvoer van de oude koelkast alle koelkastdeuren, en laat de aflegplaten in de koelkast om onbedoeld naar binnen klimmen door kinderen en stikken te voorkomen.

**VOORZICHTIG! Niet in acht nemen van deze voorzichtigheidsaanwijzingen kan leiden tot licht of gemiddeld letsel.****Elektrische schok**

- Let er voor de ingebruikneming op dat toevoerleiding en stekker droog zijn.

Beknellingsgevaar

- Grijp niet in de scharnier.

**LET OP! Gevaar voor beschadiging**

- Houd de koelkast tijdens transport alleen aan de koelkastbehuizing vast. Houd de koelkast nooit aan absorptieaggregaat, koelribben, gasleidingen, deur of bedienpaneel vast.
- Voorkom beschadiging van het koelcircuit tijdens transport. Het koudemiddel in het koelcircuit is licht ontvlambaar. Bij een beschadiging van het koelcircuit (ammoniakgeur):
 - Schakel de koelkast eventueel uit.
 - Vermijd open vuur en ontstekingsvonken.
 - Ventileer de ruimte goed.
- Plaats het product niet in de buurt van open vuur of andere warmtebronnen (verwarming, gasovens etc.).
- **Oververhittingsgevaar!** Let er altijd op dat de warmte die bij het gebruik ontstaat goed afgevoerd kan worden. Zorg ervoor dat de koelkast op voldoende afstand tot wanden en voorwerpen staat, zodat de lucht kan circuleren.
- Vergelijk de spanning op het typeplaatje met de aanwezige energievoorziening.
- Open in geen geval het koelcircuit.
- Sluit de koelkast uitsluitend met de bijbehorende wisselstroomaansluitkabel aan op de wisselstroomcontactdoos.
- Gebruik alleen kabels met passende kabeldiameter.
- Trek de stekker nooit aan de aansluitkabel uit het stopcontact.
- De koelkast mag niet aan regen worden blootgesteld.

3 Toebehoren

Beschrijving

Flexibele gasleiding

Afdichting voor tochtvrije montage voor openingen van 1 – 5 mm (afb. **8 B**, pagina 6)

Afdichting voor tochtvrije montage voor openingen van 5 – 10 mm (afb. **8 C**, pagina 6)

Winterafdekking WA 130 voor het ventilatierooster LS 200

Adapterkabel

- WAGO naar CEE
- WAGO naar UK
- WAGO naar JST
- WAGO naar MATE-N-LOK

Optionele ventilatorset REF-FANKIT

Optioneel accupack Pack R10-BP voor standalone-gasbedrijf

Optionele opslagset

4 Koelkast monteren



VOORZICHTIG! Gevaar voor de gezondheid

Om gevaar door instabiliteit van het toestel te voorkomen, moet het volgens de instructies worden bevestigd.



De handleiding voor het wijzigen van de deurstop en de decoplaat vindt u online op:
„dometic.com/manuals”.

Het toestel is bedoeld voor installatie in:

- caravans
- campers

4.1 De montage voorbereiden



LET OP!

- De koelkast mag niet worden geïnstalleerd aan de achterzijde van een camper met de deur in rijrichting.
- Gebruik voor veilig gebruik alleen originele Dometic ventilatieroosters.

Neem bij de montage van de koelkast volgende aanwijzingen in acht:

- Zorg ervoor dat de vloer horizontaal en stevig is.
Parkeer het voertuig hiervoor horizontaal.
- Zorg ervoor dat de koelkast waterpas is.
- De koelkast moet zodanig worden geïnstalleerd dat
 - deze eenvoudig toegankelijk is voor onderhoudswerk
 - deze eenvoudig kan worden gedemonteerd en gemonteerd
 - deze eenvoudig uit het voertuig kan worden verwijderd
- De koelkast moet in een nis worden ingebouwd, zodat hij bij beweging van het voertuig veilig staat. Neem de volgende afmetingen in acht (afb. **1**, pagina 3 en afb. **2**, pagina 4):

	RM10.5(S)(T)	RMS10.5(S)(T)	RMS10.5X(S)(T)
Koelkast	Algemene afmetingen in mm		
Hoogte (A)	821	821	821
Breedte (B)	523	523	523
Diepte (C) (exclusief regelknop 5 mm)	548	548	603
Nis	Afmetingen in mm		
Hoogte (H)	≥824	≥824	≥824
Breedte (W)	≥525,5	≥525,5	≥525,5
Diepte (D)	≥563	≥563	≥618

- In de buitenwand moeten een beluchtingsopening (afb. **3** 1, pagina 4) en een ontluichtingsopening (afb. **3** 2, pagina 4) met ventilatierooster voorhanden zijn om de warmte die ontstaat goed naar buiten te kunnen leiden:
 - Beluchtingsopening: Breng het rooster zo veel mogelijk in lijn met de basis van de installatienis aan.
 - Ontluichtingsopening: zo ver mogelijk boven de koelkast.
 - De afstand tussen beluchtingsopening en ontluichtingsopening moet minstens 1050 mm bedragen (afb. **4**, pagina 4).
- Monteer boven de koelkast een warmtegeleideplaat (afb. **4** 1, pagina 4) zodat zich geen warmte in het voertuig verzamelt.
- De afstand tussen de koelkast en achterwand moet minstens 15 mm maat niet meer dan 25 mm bedragen.
- Een afstand van meer dan 25 mm tussen koelkast en achterwand leidt tot vermogensverlies en een verhoogd energieverbruik van de koelkast. Verklein de holle ruimte achter de koelkast zodanig dat voldoende be- en ontluichting is gegarandeerd (afb. **5**, pagina 5). Gebruik hiervoor bijvoorbeeld een luchtgeleidingsplaat.
- Indien de minimumafstand tussen beluchtingsopening en ontluichtingsopening niet kan worden aangehouden, moet in plaats van de ontluichtingsopening een dakontluichting worden ingebouwd.
 - De dakontluichting moet indien mogelijk direct boven de achterzijde van de koelkast worden aangebracht. Gebruik een luchtkanaal (afb. **6** 1, pagina 5) indien u de dakontluichting verschoven moet aanbrengen, omdat anders warmteophoping ontstaat.
 - De afstand tussen de beluchtingsopening en dakontluichting moet minstens 900 mm bedragen (afb. **6**, pagina 5).
 - Als een dakairco voorhanden is, moet de afstand tussen de dakontluchter (afb. **7** 1, pagina 6) en de luchtafvoer van de dakairco (afb. **7** 2, pagina 6) minstens 300 mm bedragen.
- De koelkast mag niet zijdelings ten opzichte van de be- en ontluichtingsopeningen worden ingebouwd, omdat dit leidt tot vermogensverlies en een verhoogd energieverbruik van de koelkast.
- De be- en ontluichtingsopeningen mogen tijdens gebruik niet door voertuigdelen worden afgedekt (bijvoorbeeld geopende deur of door de aanbouw van toebehoren zoals fietsdrager).
- Installeer de koelkast beschermd tegen overmatige warmte-instraling, omdat dit leidt tot vermogensverlies en verhoogd energieverbruik van de koelkast.
- De koelkast moet tochtvrij worden gemonteerd.

4.2 Koelkast tochtvrij inbouwen



WAARSCHUWING! Brandgevaar!

- Gebruik voor de tochtvrije inbouw geen licht ontvlambaar materiaal zoals silicone-afdichtmassa, montageschuim en dergelijke.
- Positioneer het apparaat zodanig dat geen verbindingskabel is beschadigd of geknikt.
- Gebruik geen meervoudige aansluitingen of draagbare adapters achter het apparaat.

Koelkasten op gas in caravans of campers moeten op een tochtvrije plek worden ingebouwd. Dit betekent dat de verbrandingslucht niet uit de binnenruimte wordt genomen en de afvoergassen niet direct in de woonruimte kunnen dringen.

Tussen de achterwand van de koelkast en de binnenruimte van het voertuig moet een geschikte afdichting worden aangebracht.

De fabrikant raadt aan om een flexibele afdichting te gebruiken om in- en uitbouwen voor onderhoud te vereenvoudigen.

Kies een van de drie versies voor tochtvrije installatie (afb. **8**, pagina 7):

Stopbalk achter de koelkast (A)

- Lijm een flexibele afdichtlip (**1**) op een lijst (**2**) achter de koelkast (**3**).
- Duw de koelkast-ovencombinatie bij montage tegen de lijst met de flexibele afdichtlippen.
- ✓ De ruimte achter de koelkast is verzegeld aan het voertuiginterieur.

Afstand zijruimte van maximaal 5 mm tussen koelkast en meubilair (B)

- Lijm de afdichtlippen (zie hoofdstuk „Toebehoren“ op pagina 112) op de zijkant van het meubilair (**4**).
- Duw de koelkast-ovencombinatie tegen de flexibele afdichtlippen op het meubilair.
- ✓ De ruimte achter de koelkast is verzegeld aan het voertuiginterieur.

Afstand zijruimte van 5 mm tot 10 mm tussen koelkast en meubilair (C)

- Lijm de afdichting met dubbele lippen (zie hoofdstuk „Toebehoren“ op pagina 112) op de zijkant van het meubilair (**4**).
- Duw de koelkast-ovencombinatie tegen de flexibele afdichting met dubbele lippen op het meubilair.

- ✓ De ruimte achter de koelkast is verzegeld aan het voertuiginterieur.

4.3 Be- en ontluuchtingsopeningen maken



INSTRUCTIE

- Afwijkingen van de hier afgebeelde in- en uitlaatvarianties moeten door de fabrikant worden toegestemd.
- Bij hoge omgevingstemperatuur functioneert de koelkast alleen optimaal, als de be- en ontluuchting optimaal is.

- Maak een be- en ontluuchtingsopening in de buitenwand van 451 mm x156 mm.

Neem hierbij de aanwijzingen in acht, zie hoofdstuk „De montage voorbereiden“ op pagina 113.

Indien het ventilatierooster van de beluchtingsopening niet in een lijn met de ondergrond van de inbouwnis kan worden ingebouwd, moet een beluchtingsopening in de ondergrond worden ingebouwd. Lekkend gas kan dan omlaag stromen.

- Maak achter de koelkast bij de gasbrander een beluchtingsopening van minstens Ø 40 mm in de ondergrond (afb. **9** 1, pagina 8).
- Scherm de buitenzijde van de opening af met een bochtstuk zodat tijdens rijden geen modder of vuil kan binnendringen (afb. **9** 2, pagina 8).

Indien u in plaats van de ontluuchtingsopening een dakontluchting moet gebruiken:

- Maak een uitsnede in het dak. De vereiste afmetingen staan in de handleiding van de dakontluchting.
Neem hierbij de aanwijzingen in acht, zie hoofdstuk „De montage voorbereiden“ op pagina 113.

4.4 Ventilatierooster monteren



INSTRUCTIE

Gebruik voor veilig gebruik alleen originele Dometic ventilatieroosters.

Nr. in afb. 10 , pagina 8	Beschrijving
1	Montageframe
2	Ventilatierooster
3	Schuif
4	Winterafdekking voor het ventilatierooster (toebehoren)
5	Adapter voor de condenswaterslang

- Dicht het montageframe af om de verbinding waterdicht te maken (afb. **11**, pagina 8).
- Plaats het montageframe en schroef het vast (afb. **12**, pagina 8). Gebruik hiervoor alle bevestigingsopeningen.
- Installeer de slangadapter zoals afgebeeld (afb. **13** 1, pagina 9).
- Steek de ventilatiegrill erin zoals afgebeeld (afb. **14**, pagina 9).

4.5 Condensafvoer monteren



INSTRUCTIE

- Door openen van de deur, onjuist bewaren van levensmiddelen of door warme levensmiddelen kan in de koelkast condens ontstaan.
- Condens moet worden afgevoerd.

Monteer de condensafvoer als volgt:

- Bevestig de condenswaterslang direct aan de adapter op het ventilatierooster (afb. **13** 2, pagina 9).

4.6 Dakventilator monteren

Nr. in afb. 15 , pagina 9	Beschrijving
1	Kap
2	Montageframe

- ▶ Dicht het montageframe af om de verbinding waterdicht te maken (afb. **16**, pagina 9).
- ▶ Plaats het montageframe en schroef het vast (afb. **17**, pagina 10). Gebruik hiervoor alle bevestigingsopeningen.
- ▶ Plaats de kap en schroef deze goed vast (afb. **18**, pagina 10).

4.7 Koelkast bevestigen



VOORZICHTIG!

Schroef alleen de hiervoor bedoelde bussen vast, anders kunnen ingeschuimde bouwdelen zoals leidingen en dergelijke worden beschadigd.



INSTRUCTIE

Bevestig de zijwanden of de aangebrachte lijsten zodanig dat de schroeven ook bij verhoogde belasting (tijdens rijden) vast zitten.

- ▶ Zet de koelkast in de uiteindelijke positie.
- ▶ Draai de schroeven (afb. **19** 1, pagina 10) door de kunststof huls heen in de zijwanden van de koelkast en verder in de wand.
- ▶ Plaats de kappen (afb. **19** 2, pagina 10) op de schroefkoppen.

5 Koelkast aansluiten

5.1 Op de gastoevoer aansluiten



WAARSCHUWING! Het niet in acht nemen van deze waarschuwingen kan leiden tot ernstig letsel of de dood. Gevaar voor de gezondheid

- Deze koelkast mag alleen door een vakman conform de geldende nationale voorschriften en normen op de gasvoorziening worden aangesloten.
- Een slangaansluiting is **niet** toegestaan.
- Gebruik een metaal-afgedichte schroefverbinding.
- Het gasfilter (wit) in de koelkastgasverbinding mag niet worden verwijderd.
- Gebruik uitsluitend propaan- of butaangasflessen (geen aardgas of stadsgas) met gekeurd drukreducerend ventiel en passend kopstuk. Vergelijk de druk op het typeplaatje met de druk op de drukregelaar van de propaan- of butaangasfles.
- De koelkast mag **uitsluitend** met de op het typeplaatje aangegeven druk worden gebruikt.
- De koelkast mag **uitsluitend** met de op het typeplaatje aangegeven druk worden gebruikt.
- Neem a.u.b. de in uw land toegestane drukwaarden in acht. Gebruik alleen vast ingestelde drukregelaars die voldoen aan de nationale voorschriften.



INSTRUCTIE

Optioneel kunt u de flexibele Dometic gaspijp gebruiken om spanningen te vermijden.

De koelkast moet door een afsluitinrichting in de gasleiding afzonderlijk kunnen worden afgesloten. De afsluitinrichting moet goed toegankelijk zijn.

- Sluit de koelkast veilig et de hand aan op de gastoevoer (afb. 20, pagina 10):



WAARSCHUWING! Explosiegevaar

Het is zeer belangrijk dat u de volgende aandraaimomenten aanhoudt:

Nr. in afb. 20, pagina 10	Beschrijving
1	Schroef M4 (Torx TX20), Moment: 2 Nm
2	Koelkast-gasverbinding: M14 x 1,5 (d = 8 mm/ISO 8434 (DIN 2353))
3	Gasleiding met ringkoppeling (maat 17), Moment: 25 Nm

- Laat na professionele installatie een lek- en een vlamtest uitvoeren door een geautoriseerde specialist.
Laat een goedkeuringscertificaat maken en overhandig dit aan de eindgebruiker.

5.2 Op gelijkstroom en wisselstroom aansluiten



WAARSCHUWING! Het niet in acht nemen van deze waarschuwingen kan leiden tot ernstig letsel of de dood. Gevaar voor elektrische schokken

De elektrische installatie alsmede reparaties mogen alleen door een vakman conform de geldende nationale voorschriften en normen worden uitgevoerd.



INSTRUCTIE

- De toestelstekker mag zich niet direct achter het ventilatierooster worden bevinden, anders kan de luchtcirculatie worden gehinderd en kan de stekker nat worden.
- De stekker van de wisselstroom-aansluitkabel mag niet worden afgesneden.
- De aansluitkabel moet zodanig gemonteerd zijn dat deze niet met hete delen van aggregaat/brander of met scherpe randen in contact komen.
- Wijzigingen van de interne elektrische installatie of de aansluiting van andere elektrische componenten (bijvoorbeeld externe extra ventilator) aan de interne bekabeling van de koelkast doen elke aanspraak op garantie vervallen.
- De koelkasten RM 10.5 en RMS 10.5 hebben een CI-BUS-aansluiting en kunnen worden bediend via een compatibel centraal voertuigdisplay.

Schema van de koelkast (afb. 21, pagina 11)

Nr. in afb. 21, pagina 11	Beschrijving
1	Ventilator 1 (als optiemodule beschikbaar is)
2	Optiemodule (optioneel)
3	Gelijkstroomoven (indien optiemodule beschikbaar is)
4	Gelijkstroomvoedingmodule
5	NTC 2: Buitentemperatuur (optioneel)
6	NTC 1: Temperatuursensor voor verse levensmiddelen
7	Gasklep
8	Verlichting
9	Reedschakelaar
10	S+ (optioneel)
11	Verwarmingselement gelijkstroom
12	15A-zekering
13	Gelijkstroomrelais voor verwarmingspatroon
14	Ingang gas

Nr. in afb. 21 , pagina 11	Beschrijving
15	Gelijkstroomaansluitblok
16	Gelijkstroom-voedingskabel elektronica
17	Gelijkstroom-voedingskabel verwarmingselement
18	CI-bus-verbinding
19	Wisselstroomaansluiting
20	Verwarmingselement wisselstroom
21	Massa
22	Aarding wisselstroom
23	Ontstekingselektrode
24	Voedingseenheid
25	Displaymodule

Gelijkstroom



WAARSCHUWING! Brandgevaar

- De toevoerleiding naar het verwarmingselement moet worden beveiligd met een 15 A zekering.
- De toevoerleiding naar de elektronica moet worden beveiligd met een 2 A zekering.



LET OP!

De positieve en negatieve voedingslijnen van de gelijkstroomverbindingen voor elektronica (afb. **21** 16, pagina 11) en verwarmingselement (afb. **21** 17, pagina 11) mogen **niet** met elkaar worden verbonden en op één draad worden gedragen. Anders kunnen elektrische bouwdeelen elektrisch worden beïnvloed of beschadigd.

Neem de volgende kabelafmetingen in acht (afb. **22**, pagina 13):


- Aansluitingen verwarmingselement:
 - <6 m (in het voertuig): $\geq 6 \text{ mm}^2$
 - >6 m (in het voertuig): $\geq 10 \text{ mm}^2$
 - Kabel gevoed via trekstang (alleen caravans): $\geq 2,5 \text{ mm}^2$
- Aansluitingen elektronica: $\geq 0,75 \text{ mm}^2$

- Verbindingen D+ en S+: $\geq 0,75 \text{ mm}^2$
- Monteer uw gelijkstroomaansluiting als volgt (afb. **21**, pagina 11):
 - Verbind **A** en **C** met de pluspool van de accu.
 - Verbind **D** en **F** met massa.
 - Verbind **B** met het signaal D+.
De elektronica van de koelkast gebruikt het signaal D+ van de wisselstroomdynamo om het draaien van de motor te herkennen. De koelkast kiest in automatische bedrijfsmodus de gunstigste bedrijfsmodus. De koelkast wordt alleen met gelijkstroom bedreven, als de motor draait.
 - Verbind **E** met de CI-BUS.
- Verbind **10** met het signaal S+ (optioneel).
- Beveilig de voedingsleiding **A** met een 2 A zekering in de verdeelkast van het voertuig.
- Beveilig de voedingsleiding **C** met een 15 A zekering in de verdeelkast van het voertuig.
- Leid de voedingsleiding **C** via een ontstekingsgeregeld relais.
Dit voorkomt dat de accu compleet wordt ontladen, als de motor onbedoeld wordt uitgeschakeld.

Wisselstroom

- Sluit de koelkast met de apparaatstekker aan op de wisselstroomdoos.

6 Technische gegevens

	RM10.5(S)(T)	RMS10.5(S)(T)	RMS10.5X(S)(T)
Aansluitspanning:	230 V~ /50 Hz 12 V===		
Capaciteit			
Bruto-inhoud:	88 l	78 l	92 l
Koelvak:	78,7 l	69,1 l	80,3 l
Vriesvak:	9,2 l	9,2 l	12,1 l
Totale netto capaciteit:	86 l	76 l	90 l
Zonder vriesvak			
Bruto-inhoud:	93 l	83 l	98 l
Netto-inhoud:	91 l	81 l	96 l
Voeding:	135 W (230 V~) 130 W (12 V===)		
Energieverbruik:	2,8 kWh/24 h (230 V~)	2,5 kWh/24 h (230 V~)	3,2 kWh/24 h (230 V~)
Gasverbruik:	270 g/24 h		
Gasaansluitdruk:	30 mbar		
Klimaatklasse:	SN		
Afmetingen h x b x d:	821 x 523 x 548 mm		821 x 523 x 603 mm
Gewicht:	28 kg	27,4 kg	29 kg
Keuring/certificering:			

Voor de actuele EU-conformiteitsverklaring voor uw toestel, zie de desbetreffende productpagina op dometic.com of raadpleeg de fabrikant direct (zie achterzijde).

Læs denne vejledning omhyggeligt igennem før installation og ibrugtagning, og opbevar den. Giv den til brugeren, hvis du giver produktet videre.

**BEMÆRK**

Henvisninger vedrørende betjeningen kan findes i betjeningsvejledningen.

Indholdsfortegnelse

1	Forklaring af symbolerne	125
2	Sikkerhedshenvisninger	126
3	Tilbehør	128
4	Montering af køleskabet	128
5	Tilslutning af køleapparatet	135
6	Tekniske data	140

1 Forklaring af symbolerne

**ADVARSEL!**

Sikkerhedshenvisning til en farlig situation, der kan medføre død eller alvorlige kvæstelser, hvis den ikke undgås.

**FORSIGTIG!**

Sikkerhedshenvisning til en farlig situation, der kan medføre lette eller mindre kvæstelser, hvis den ikke undgås.

**VIGTIGT!**

Henvisning til en situation, der kan medføre materielle skader, hvis den ikke undgås.

**BEMÆRK**

Supplerende informationer om betjening af produktet.

2 Sikkerhedshenvisninger

Producenten påtager sig intet ansvar for skader i følgende tilfælde:

- Monterings- eller tilslutningsfejl
- Beskadigelser på apparatet på grund af mekanisk påvirkning og forket tilslutningsspænding
- Ændringer på produktet uden udtrykkelig tilladelse fra producenten
- Anvendelse til andre formål end dem, der er beskrevet i vejledningen



ADVARSEL! Manglende overholdelse af disse advarsler kan medføre dødelige eller alvorlige kvæstelser.

Eksplodingsfare

- Åbn aldrig absorptionsaggregatet. Det står under tryk og kan forårsage kvæstelser, når det åbnes.
- Køleskabet må **udelukkende** med det tryk, der er angivet på typeskiltet. Anvend kun fast indstillede trykreguleringer, der opfylder de nationale forskrifter (i Europa EN 12864).

Brandfare

- Sørg for en ren forarbejdning uden rester, når der anvendes silicone-tætningssmasse el.lign. Hvis siliconetråde kommer i berøring med varme dele eller åben ild, er der brandfare.
- Kontrollér aldrig, om køleskabet er utæt, med åben flamme.
- Anvend kun propan- eller butangas (**ikke** naturgas).

Sundhedsfare

- Hvis køleskabet har synlige beskadigelser, må du ikke tage det i brug.
- Hvis dette køleskabs vekselstrømslutsningskabel beskadiges, skal det udskiftes af producenten, dennes kundeservice eller en lignende kvalificeret person for at undgå farer.
- Reparationer på dette køleskab må kun foretages af fagfolk. Ved ukorrekte reparationer kan der opstå betydelige farer.

Risiko for kvælning

- Afmonter alle køleskabets døre ved bortskaffelse af det gamle køleskab, og lad hylderne sidde i køleskabet for at forhindre, at nogen utilsigtet lukkes inde og kvæles.

**FORSIGTIG! Manglende overholdelse af disse forsigtighedshenvisninger kan medføre mindre eller moderate kvæstelser.****Elektrisk stød**

- Kontrollér før ibrugtagning, at ledningen og stikket er tørre.

Fare for at komme i klemme

- Grib ikke ind i hængslet.

**VIGTIGT! Fare for beskadigelse**

- Hold kun køleskabet fast med køleskabelementet under transporten. Hold aldrig køleskabet fast med absorptionsaggregatet, køleribberne, gasledningerne, døren eller betjeningsblænden.
- Sørg ved transport for, at kølekredsløbet ikke beskadiges. Kølemidlet i kølekredsløbet er letantændeligt. Ved en beskadigelse af kølekredsløbet (ammoniaklugt):
 - Sluk evt. for køleskabet.
 - Undgå åben ild og antændelsesgninger.
 - Udluft rummet grundigt.
- Montér ikke køleskabet i nærheden af åben ild eller andre varmekilder (varmeapparater, gasovne osv.).
- **Fare for overophedning!** Sørg altid for, at varme, der opstår under driften, kan føres tilstrækkeligt bort. Sørg for, at køleskabet har tilstrækkelig afstand til vægge og genstande, så luften kan cirkulere.
- Sammenlign spændingsangivelsen på typeskiltet med energiforsyningen, der er til rådighed.
- Åbn under ingen omstændigheder kølekredsløbet.
- Tilslut kun køleskabet til vekselstrømsstikdåsen med det tilhørende vekselstrømsstikslutningskabel.
- Anvend kun kabler med passende ledningstværsnit.
- Træk aldrig stikket ud af stikdåsen med tilslutningskablet.
- Køleskabet må ikke udsættes for regn.

3 Tilbehør

Beskrivelse

Fleksible gasrør

Tætning til træktæt montering for åbninger på 1 – 5 mm (fig. **8 B**, side 6)

Tætning til trækfri installation for åbninger på 5 – 10 mm (fig. **8 C**, side 6)

Vinterafdækning WA 130 til ventilationsgitteret LS 200

Adapterkabel

- WAGO til CEE
- WAGO til UK
- WAGO til JST
- WAGO til MATE-N-LOK

Valgfrit ventilatorsæt REF-FANKIT

Valgfri batteripakke Pack R10-BP til udelukkende gasdrift

Valgfrit opbevaringssæt

4 Montering af køleskabet



FORSIGTIG! Sundhedsfare

For at undgå en fare, fordi apparatet er ustabil, skal det fastgøres i overensstemmelse med anvisningerne.



Du kan finde vejledningen til skift af døranslaget og dekorationspladen online på:
„dometic.com/manuals“.

Apparatet er egnet montering i:

- campingvogne
- autocampere

4.1 Forberedelse af installationen



VIGTIGT!

- Køleskabet må ikke installeres bagest i autocampere med døren i kørselsretningen.
- Anvend udelukkende originale Dometic-ventilationgitre for at sikre sikker drift.

Vær opmærksom på følgende henvisninger ved montering af køleskabet:

- Kontrollér, at gulvet er fast og vandret.
Parkér til dette formål køretøjet vandret.
- Kontrollér, at køleskabet er vandret.
- Køleskabet skal installeres, så
 - det er nemt at udføre servicearbejde
 - det er nemt at montere og afmontere
 - det er nemt at fjerne fra køretøjet
- Køleskabet skal indbygges i en niche, så det står sikkert, når køretøjet er i bevægelse. Overhold i den forbindelse følgende mål (fig. **1**, side 3 og fig. **2**, side 4):

	RM10.5(S)(T)	RMS10.5(S)(T)	RMS10.5X(S)(T)
Køleapparat	Samlede mål i mm		
Højde (A)	821	821	821
Bredde (B)	523	523	523
Dybde (C) (uden styreknappen på 5 mm)	548	548	603
Udskæring	Mål i mm		
Højde (H)	≥824	≥824	≥824
Bredde (B)	≥525,5	≥525,5	≥525,5
Dybde (D)	≥563	≥563	≥618

- I ydervæggen skal der monteres en ventilationsåbning (fig. **3** 1, side 4) og en udluftningsåbning (fig. **3** 2, side 4) med ventilationsgitter, så varmen, der opstår, nemt kan bortledes ud i det fri:
 - Ventilationsåbning: Monter ventilationsgitteret så plant som muligt i forhold monteringsnichens bund.
 - Udluftningsåbning: så vidt muligt over køleskabet.
 - Afstanden mellem ventilationsåbningen og udluftningsåbningen skal være mindst 1050 mm (fig. **4**, side 4).
- Monter en varmeledningsplade over køleskabet (fig. **4** 1, side 4), så varmen ikke ophobes i køretøjet.
- Afstanden mellem køleskabet og bagvæggen skal være mindst 15 mm, men ikke mere end 25 mm.
- En afstand på over 25 mm mellem køleskabet og bagvæggen medfører fald i køleskabets ydelse og forøget energiforbrug. Reducér hulrummet bagved køleskabet tilsvarende for at etablere en tilstrækkelig ventilation og udluftning (fig. **5**, side 5). Anvend hertil f.eks. en luftledningsplade.
- Hvis minimumafstanden mellem ventilationsåbningen og udluftningsåbningen ikke kan overholdes, skal der i stedet for udluftningsåbningen monteres en tagventilator.
 - Tagventilatoren skal så vidt muligt placeres direkte over køleskabets bagside. Anvend en luftkanal (fig. **6** 1, side 5), hvis du skal flytte tagventilatoren, da varmen ellers ophobes.
 - Afstanden mellem ventilationsåbningen og tagventilatoren skal være mindst 900 mm (fig. **6**, side 5).
 - Hvis der findes et tagklima-læg, skal afstanden mellem tagventilatoren (fig. **7** 1, side 6) og tagklima-læggets luftudgang (fig. **7** 2, side 6) være mindst 300 mm.
- Køleskabet må ikke monteres ved siden af ventilations- og udluftningsåbninger, da det medfører fald i køleskabets ydelse og forøget energiforbrug.
- Ventilations- og udluftningsåbningen må ikke tildækkes af køretøjsdele under driften (f.eks. en åbned dør eller på grund af montering af tilbehør som f.eks. en cykelholder).
- Installér køleskabet, så det er beskyttet mod for kraftigt varmeindstråling, da det medfører fald i køleskabets ydelse og forøget energiforbrug.
- Køleskabet skal monteres træktæt.

4.2 Træktæt montering af køleskabet



ADVARSEL! Brandfare!

- Anvend ikke letantændelige materialer som f.eks. silikone-tætningsmasser, monteringsgum eller lignende til træktæt montering.
- Anbring apparatet, så intet tilslutningskabel beskadiges eller er i klemme.
- Brug ikke stikdåselister eller mobile strømadaptere bag apparatet.

Gasdrevne køleskabe i campingvogne eller autocampere skal monteres træktæt. Det betyder, at forbrændingsluften ikke udtages fra den indvendige rum, og det forhindres, at røggasserne trænger direkte ind i beboelsesrummet.

Mellem køleskabets bagvæg og køretøjets indvendige rum skal der monteres en egnet tætning.

Producenten anbefaler at anvende en fleksibel tætning for at forenkle afmontering og montering i forbindelse med vedligeholdelse.

Vælg en af de tre versioner til træktæt montering (fig. **8**, side 7):

Anslagsliste bag køleskabet (A)

- Lim en fleksibel tætningslæbe **(1)** på en anslagsliste **(2)** bag køleskabet **(3)**.
- Skub køleskab-ovn-kombinationen mod anslagslisterne med de fleksible tætningslæber under monteringen.
- ✓ Afstanden bag køleskabet er tætnet mod køretøjets kabine.

Mellemrum i siden op til 5 mm mellem køleskabet og møblet (B)

- Lim tætningslæberne (se kapitlet „Tilbehør“ på side 128) på siden af møblet **(4)**.
- Skub køleskab-ovn-kombinationen mod de fleksible tætningslæber på møblet.
- ✓ Afstanden bag køleskabet er tætnet mod køretøjets kabine.

Mellemrum i siden på 5 mm til 10 mm mellem køleskabet og møblet (C)

- Lim den dobbeltlæbede tætning (se kapitlet „Tilbehør“ på side 128) på siden af møblet **(4)**.
- Skub køleskab-ovn-kombinationen mod den dobbeltlæbede tætning på møblet.
- ✓ Afstanden bag køleskabet er tætnet mod køretøjets kabine.

4.3 Etablering af ventilations- og udluftningsåbninger



BEMÆRK

- Afvigelser fra indgangs- og udgangsvariationerne, der vises her, skal godkendes af producenten.
- Ved høje omgivelsestemperaturer kan køleskabet derefter kun levere sin maks. kølekapacitet, hvis der er sørget for en optimal ventilation og udluftning.

- Lav en ventilations- og en udluftningsåbning i ydervæggen med størrelsen 451 mm x156 mm.

Overhold i den forbindelse henvisningerne, se kapitlet „Forberedelse af installationen“ på side 129.

Hvis udluftningsåbningens ventilationsgitter ikke kan monteres plant med indbygningsnichen, skal du montere en udluftningsåbning i gulvet. Al gas, der lækker, kan dermed strømme ud nedad.

- Lav en ventilationsåbning på mindst Ø 40 mm i gulvet (fig. **9** 1, side 8) bagved køleskabet i nærheden af gasbrænderen.
- Beskyt åbningens udvendige side med en afskærmning, så der ikke kan trænge slam eller snavs ind under kørslen (fig. **9** 2, side 8).

Hvis du i stedet for udluftningsåbningen skal anvende en tagventilator:

- Lav et rammeudsnit i taget. Det påkrævede mål findes i vejledningen til tagventilatoren.
Overhold i den forbindelse henvisningerne i kapitlet „Forberedelse af installationen“ på side 129.

4.4 Montering af ventilationsgitteret



BEMÆRK

Anvend udelukkende originale Dometic-ventilationsgittere for at sikre sikker drift.

Nr. på fig. 10 , side 8	Beskrivelse
1	Monteringsramme
2	Ventilationsgitter
3	Skyder
4	Vinterafdækning til ventilationsgitteret (tilbehør)
5	Adapter til kondensvandsafløbsslangen

- Sørg for at tætne monteringsrammen, så forbindelsen er vandtæt (fig. **11**, side 8).
- Sæt monteringsrammen i, og skru den fast (fig. **12**, side 8). Anvend alle fastgørelsehuller hertil.
- Montér slangeadapteren som vist (fig. **13** 1, side 9).
- Sæt ventilationsgitteret i som vist (fig. **14**, side 9).

4.5 Montering af kondensvandsafløbet



BEMÆRK

- Der kan dannes kondensvand i køleskabet, hvis døren åbnes tit, madvarer opbevares ukorrekt, eller madvarer er for varme, når de lægges ind.
- Kondensvand skal aftappes med en konstant hældning.

Montér kondensvandsafløbet på følgende måde:

- Fastgør kondensvandsslangen direkte på adapteren på ventilationsgitteret (fig. **13** 2, side 9).

4.6 Montering af tagventilatoren

Nr. på fig. 15 , side 9	Beskrivelse
1	Kappe
2	Monteringsramme

- ▶ Sørg for at tætne monteringsrammen, så forbindelsen er vandtæt (fig. **16**, side 9).
- ▶ Sæt monteringsrammen i, og skru den fast (fig. **17**, side 10). Anvend alle fastgørelseshuller hertil.
- ▶ Sæt kappen på, og skru den fast (fig. **18**, side 10).

4.7 Fastgørelse af køleskabet



FORSIGTIG!

Skru altid gennem de pågældende bøsninger, da indskummede komponenter som f.eks. ledninger kan blive beskadiget.



BEMÆRK

Fastgør sidevæggene eller de anbragte lister, så skruerne også sidder fast ved forøget belastning (under kørslen).

- ▶ Placér køleskabet i dets endegyldige position.
- ▶ Skru skruerne (fig. **19** 1, side 10) gennem kunststofbøsningerne i køleskabets sidevægge og videre ind i nichevæggen.
- ▶ Sæt afdækningskapperne (fig. **19** 2, side 10) på skruerhovederne.

5 Tilslutning af køleapparatet

5.1 Tilslutning til gasforsyningen



ADVARSEL! Manglende overholdelse af disse advarsler kan medføre dødelige eller alvorlige kvæstelser. Sundhedsfare

- Køleskabet må kun tilsluttes til gasforsyningen af en fagmand i henhold til de gældende nationale forskrifter og standarder.
- En slangetilslutning er **ikke** tilladt.
- Anvend en metaltætnet skrueforbindelse.
- Gasfilteret (hvidt) i køleskabets gastilslutning må ikke fjernes.
- Anvend kun propan- eller butangasflasker (ikke naturgas eller bygas) med godkendt trykreduktionsventil og passende topstykke. Sammenlign trykangivelsen på typeskiltet med trykangivelsen på propan- eller butangasflaskens trykregulering.
- Anvend **udelukkende** køleskabet med det tryk, der er angivet på typeskiltet.
- Køleskabet må **udelukkende** med den type gas, der er angivet på typeskiltet.
- Vær venligst opmærksom på de tryk, der er tilladt i dit land. Anvend kun fast indstillede trykreguleringer, der opfylder de nationale forskrifter.



BEMÆRK

Du kan benytte Dometics fleksible gastilslutningsrør, der fås som tilbehør, så installationen ikke sidder i spænd.

Køleskabet skal kunne spærres separat med en afspærringsanordning i gasledningen. Der skal være nem adgang til afspærringsanordningen.

- Forbind køleskabet fast og uden spænding med gasforsyningen (fig. 20, side 10):



ADVARSEL! Eksplosionsfare

Det er meget vigtigt, at du overholder følgende tilspændingsmomenter:

Position på fig. 20, side 10	Beskrivelse
1	Skrue M4 (Torx TX20) Tilspændingsmoment: 2 Nm
2	Køleskabets gastilslutning: M14 x 1,5 (d = 8 mm/ISO 8434 (DIN 2353))
3	Gasrør med ringkobling (størrelse 17) Tilspændingsmoment: 25 Nm

- Lad en autoriseret specialist gennemføre en lækagetest og en flammetest efter professionel montering.
Kontrollér, at du modtager et inspektionscertifikat, og giv dette certifikat videre til slutbrugeren, så vedkommende kan opbevare det.

5.2 Tilslutning til jævnstrøm og vekselstrøm



ADVARSEL! Manglende overholdelse af disse advarsler kan medføre dødelige eller alvorlige kvæstelser. Fare for elektrisk stød

Den elektriske installation samt reparationer må kun udføres af en fagmand i henhold til de gældende nationale forskrifter og standarder.

**BEMÆRK**

- Apparatets stik må ikke placeres direkte bagved ventilationsgitteret for at forhindre, så luftcirkulationen ikke påvirkes, og at beskytte apparatets stik mod vandstænk.
- Apparatets stik på vekselstrømtilslutningskablet må ikke skæres af.
- Tilslutningskablerne skal trækkes, så de ikke kommer i berøring med aggregatets/brænderens varme dele eller med skarpe kanter.
- Ændringer i den interne elektriske installation eller tilslutning af andre elektriske komponenter (f.eks. fremmede ekstra ventilatorer) til køleskabets interne ledningsføring medfører, at alle krav om garanti og produktansvar bortfalder.
- Køleskabene RM10.5 og RMS10.5 har et CI-bus-interface og kan styres med et kompatibelt centralt køretøjsdisplay.

Køleskabets tilslutningsdiagram (fig. 21, side 11)

Position på fig. 21, side 11	Beskrivelse
1	Ventilator 1 (hvis der er et valgfrit modul til stede)
2	Valgfrit modul (valgfrit)
3	Jævnstrømsforsyning oven (hvis der findes et valgfrit modul)
4	Jævnstrømsforsyningsmodul
5	NTC 2: Udetemperatur (valgfrit)
6	NTC 1: Temperatursensor for friske fødevarer
7	Gasventil
8	Belysning
9	Reed-kontakt
10	S+ (valgfrit)
11	Varmeelement jævnstrøm
12	15 A-sikring
13	Jævnstrømsrelæ til varmepatron
14	Indgang gas
15	Jævnstrømsforbindelsesblok
16	Jævnstrømsforsyningskabel elektronik

Position på fig. 21, side 11	Beskrivelse
17	Jævnstrømsforsyningskabel varmeelement
18	CI-bus-tilslutning
19	Vekselstrøms tilslutning
20	Varmeelement vekselstrøm
21	Jord
22	Vekselstrømsbeskyttelse jord
23	Tændingselektrode
24	Effektmodul
25	Displaymodul

Jævnstrøm



ADVARSEL! Brandfare

- Tilførselsledningen til varmeelementet skal beskyttes med en sikring på 15 A.
- Tilførselsledningen til elektronikken skal beskyttes med en sikring på 2 A.



VIGTIGT!

De pågældende positive og negative forsyningsledninger til DC-forbindelserne til elektronik (fig. 21 16, side 11) og varmeelementet (fig. 21 17, side 11) må **ikke** samles med hinanden og føres ud på en enkelt tråd. Der kan i modsat fald forekomme elektrisk påvirkning eller beskadigelse af elektriske komponenter.

Overhold følgende ledningstværsnit (fig. 22, side 13):


- Tilslutninger for varmeelement:
 - <6 m (indvendigt): $\geq 6 \text{ mm}^2$
 - >6 m (indvendigt): $\geq 10 \text{ mm}^2$
 - Kabelindføring via trækstang (kun campingvogne): $\geq 2,5 \text{ mm}^2$
- Forbindelser til elektronik: $\geq 0,75 \text{ mm}^2$
- Forbindelser D+ og S+: $\geq 0,75 \text{ mm}^2$

- Saml din jævnstrømsstikdåse på følgende måde (fig. **21**, side 11):
 - Forbind **A** og **C** med batteriets positive pol.
 - Forbind **D** og **F** med jord.
 - Forbind **B** med D + signalet.
Køleskabets elektronik anvender generatorens signal D+ for at registrere den kørende motor. Køleskabet vælger den bedste driftstype, der er til rådighed, i den automatiske driftsmodus. Køleskabet anvendes kun med jævnstrøm, når køretøjets motor kører.
 - Forbind **E** med CI-BUS.
- Forbind **10** med S+ signalet (valgfrit).
- Beskyt forsyningsledningen **A** med en sikring på 2 A i køretøjets hovedfordeler.
- Beskyt forsyningsledningen **C** med en sikring på 15 A i køretøjets hovedfordeler.
- Før forsyningsledningen **C** via et tændingsstyret relæ.
Dette forhindrer, at batteriet aflades helt, hvis motoren slukkes utilsigtet.

Vekselstrøm

- Tilslut køleskabet til en vekselstrømsstikdåse med apparatets stik.

6 Tekniske data

	RM10.5(S)(T)	RMS10.5(S)(T)	RMS10.5X(S)(T)
Tilslutningsspænding:	230 V \sim /50 Hz 12 V \equiv		
Indhold			
Bruttoindhold:	88 l	78 l	92 l
Køleboks:	78,7 l	69,1 l	80,3 l
Fryseboks:	9,2 l	9,2 l	12,1 l
Samlet nettoindhold:	86 l	76 l	90 l
Uden fryseboks			
Bruttoindhold:	93 l	83 l	98 l
Nettoindhold:	91 l	81 l	96 l
Strømforsyning:	135 W (230 V \sim) 130 W (12 V \equiv)		
Energiforbrug:	2,8 kWh/24 h (230 V \sim)	2,5 kWh/24 h (230 V \sim)	3,2 kWh/24 h (230 V \sim)
Gasforbrug:	270 g/24 h		
Gastilslutningstryk:	30 mbar		
Klimaklasse:	SN		
Mål H x B x D:	821 x 523 x 548 mm		821 x 523 x 603 mm
Vægt:	28 kg	27,4 kg	29 kg
Godkendelse/certifikat:			

For den aktuelle EU-overensstemmelseserklæring for dit apparat bedes du se den pågældende produktside på dometic.com eller kontakte producenten direkte (se bagsiden).

Läs igenom anvisningarna noga innan produkten monteras och används. Spara monterings- och bruksanvisningen för senare bruk. Överlämna bruksanvisningen till den nya ägaren vid ev. vidareförsäljning.

**ANVISNING**

Bruksanvisningen innehåller information om hur man använder produkten.

Innehållsförteckning

1	Förklaring av symboler	141
2	Säkerhetsanvisningar	142
3	Tillbehör	144
4	Installera kylskåpet	144
5	Ansluta kylskåpet	150
6	Tekniska data	154

1 Förklaring av symboler

**VARNING!**

Säkerhetsanvisning för en farlig situation som, om den inte går att undvika, kan ge upphov till dödsfall eller allvarliga personskador.

**AKTA!**

Säkerhetsanvisning för en farlig situation som, om den inte går att undvika, kan ge upphov till en lindrig eller måttlig personskada.

**OBSERVERA!**

Anvisning för en situation som, om den inte går att undvika, kan ge upphov till materiella skador.

**ANVISNING**

Kompletterande information om användning av produkten.

2 Säkerhetsanvisningar

Tillverkaren övertar inget ansvar för skador i följande fall:

- monterings- eller anslutningsfel
- skador på produkten orsakade av mekanisk påverkan eller fel anslutnings-spänning
- ändringar som utförts utan uttryckligt medgivande från tillverkaren
- ej ändamålsenlig användning



WARNING! Om man underlåter att följa de här varningarna kan följden bli dödsfall eller allvarlig personskada.

Explosionsrisk

- Öppna aldrig absorptionsaggregatet. Det står under högt tryck och kan ge upphov till skador om det öppnas.
- Kylskåpet får **endast** användas med det tryck som anges på typskylten. Använd endast fast inställda tryckregulatorer som motsvarar nationella föreskrifter (i Europa EN 12864).

Brandrisk

- Se till att hålla rent och fritt från rester om du arbetar med silikon-tätningssmassa eller liknande ämnen. Fara för brand uppstår om silikon-trådar kommer i kontakt med heta delar eller öppen eld.
- Använd aldrig öppen låga för att kontrollera om det finns läckage på kylskåpet.
- Använd bara propan- eller butangas (**inte** naturgas).

Hälsorisk

- Om kylskåpet uppvisar synliga skador får det inte användas.
- Om kylskåpets anslutningskabel för växelström skadas måste den, av säkerhetsskäl, bytas ut av tillverkaren, tillverkarens kundtjänst eller annan behörig person.
- Reparationer på kylskåpet får endast utföras av behörigt fackfolk. Icke fackmässiga reparationer kan leda till att allvarliga risker uppstår.

Kvävningsrisk

- Demontera alla kylskåpsdörrar när det gamla kylskåpet ska tas om hand för återvinning och lämna hyllorna i kylskåpet så att inte barn kan klättra in och stänga dörren med kvävningrisk som följd.

**AKTA! Om man underlåter att följa de här försiktighetsåtgärderna kan följden bli lindrig eller måttlig personskada.****Elchock**

- Kontrollera, innan apparaten tas i drift, att elkabeln och stickkontakten är torra.

Risk för klämskador

- Håll fingrarna borta från gångjärnen.

**OBSERVERA! Risk för saksador**

- Håll bara kylskåpet i själva kylskåpskroppen när det flyttas. Håll aldrig fast kylskåpet i absorptionsaggregatet, kylflänsarna, gasledningarna, dörren eller kontrollpanelen.
- Se till att inte skada kylkretsloppet vid transport. Kylmedlet i kylkretsloppet är lättantändligt.
Vid skador på kylkretsloppet (ammoniaklukt):
 - Stäng av kylskåpet vid behov.
 - Undvik öppen eld och gnistbildning.
 - Ventilera rummet nog.
- Montera inte kylskåpet i närheten av öppen eld eller andra värmekällor (värmeelement, gasspisar etc.).
- **Risk för överhettning!**
Se till att värmen som alstras under användningen kan avledas ordentligt. Kylskåpet måste ha tillräckligt stort avstånd till väggen/andra föremål, så att luften kan cirkulera fritt.
- Jämför spänningsuppgifterna på typskylten med elförsörjningen på plats.
- Öppna aldrig kylkretsloppet.
- Anslut endast kylskåpet till växelströmsuttaget med tillhörande anslutningskabel för växelström.
- Använd endast kablar med passande kabelarea.
- Dra aldrig ut stickkontakten ur uttaget genom att dra i anslutningskabeln.
- Kylskåpet måste skyddas mot regn.

3 Tillbehör

Beskrivning

Böjliga gasolledningar

Tätning för dragtät installation av springor på 1 – 5 mm (bild **8 B**, sida 6)

Tätning för dragtät installation av springor på 5 – 10 mm (bild **8 C**, sida 6)

Vinterkåpa WA 130 för ventilationsgallret LS 200

Adapterkabel

- WAGO för CEE
- WAGO för UK
- WAGO för JST
- WAGO för MATE-N-LOK

Alternativ fläktsats REF-FLÄKTSATS

Alternativt batteripaket Paket R10-BP för fristående gasolldrift

Alternativ lagringssats

4 Installera kylskåpet



AKTA! Hälsorisk

Fastsätt apparaten enligt anvisningarna så att det inte uppstår risker till följd av instabilitet.



Handboken med anvisningar om hur man ändrar luckstoppet och luckans dekorplatta hittar man på: "dometic.com/manuals".

Den här apparaten är avsedd för installation i:

- husvagnar
- husbilar

4.1 Förbereda installationen



OBSERVERA!

- Kylskåpet får inte installeras längst bak i husbilar med dörren i körriktningen.
- Använd endast Dometics originalventilationsgaller för säker drift.

Beakta följande anvisningar vid installationen av kylskåpet:

- Kontrollera att golvet är stabilt och jämnt.
Av den här anledningen ska man placera fordonet i vågrätt läge.
- Kontrollera att kylskåpet står jämnt.
- Installera kylskåpet så att det är lätt att komma
 - åt för servicearbete och
 - avinstallation eller installation samt utan problem
 - kan monteras av från fordonet
- Kylskåpet måste installeras i en nisch så att det står säkert när fordonet rör sig.
Observera följande mått (bild **1**, sida 3 och bild **2**, sida 4):

	RM10.5(S)(T)	RMS10.5(S)(T)	RMS10.5X(S)(T)
Kylbox	Totalmått i mm		
Höjd (A)	821	821	821
Bredd (B)	523	523	523
Djup (C) (utan styrvrede 5 mm)	548	548	603
Nisch	Mått i mm		
Höjd (H)	≥824	≥824	≥824
Bredd (W)	≥525,5	≥525,5	≥525,5
Djup (D)	≥563	≥563	≥618

- I ytterväggen måste man montera en luftningsöppning (bild **3** 1, sida 4) och en ventilationsöppning (bild **3** 2, sida 4) med ventilationsgaller så att värmen som uppstår enkelt går att leda ut:
 - Luftningsöppning: Montera ventilationsgallret så att det i möjligaste mån är placerat i jämnhöjd med inbyggnadsskåpets bas.
 - Ventilationsöppning: så högt upp från kylskåpet som möjligt.
 - Avståndet mellan luftningsöppningen och ventilationsöppningen måste vara minst 1050 mm (bild **4**, sida 4).
- Installera en värmeledande plåt (bild **4** 1, sida 4) ovanför kylskåpet så att värmen inte ansamlas i fordonet.
- Avståndet mellan kylskåp och den bakre väggen måste vara minst 15 mm, men max. 25 mm.

- Om avståndet mellan kylskåpet och den bakre väggen är större än 25 mm orsakar detta lägre kyleffekt och högre energiförbrukning. Minska avståndet för att säkerställa fullgod luftning och ventilation (bild **5**, sida 5). Använd t.ex. en luftledningsplåt för att göra detta.
- Om det inte går att upprätthålla min.-avståndet mellan luftningsöppning och ventilationsöppning måste en takfläkt monteras istället för ventilationsöppningen.
 - Takfläkten bör om möjligt monteras direkt över kylskåpets baksida. Använd en luftkanal (bild **6** 1, sida 5) om du måste montera takfläkten med förskjutning eftersom det annars byggs upp värme.
 - Avståndet mellan luftningsöppningen och takfläkten måste vara minst 900 mm (bild **6**, sida 5).
 - Om en takmonterad klimatanläggning har monterats måste avståndet mellan takfläkten (bild **7** 1, sida 6) och den takmonterade klimatanläggningens luftutsläpp (bild **7** 2, sida 6) vara minst 300 mm.
- Kylskåpet får inte monteras på sidan om luftnings- och ventilationsöppningarna eftersom detta kan orsaka lägre kyleffekt och ökad energiförbrukning.
- Luftnings- och ventilationsöppningen får under användning inte täckas för av fordonsdelar (t.ex. öppna dörrar eller monterade tillbehör som cykelhållare).
- Installera kylskåpet så att det är skyddat mot kraftig värmeinstrålning, då denna orsakar lägre kyleffekt och högre energiförbrukning.
- Kylskåpet måste installeras dragtätt.

4.2 Installera kylskåpet dragtätt



VARNING! Brandrisk!

- Använd inga lättantändliga material som silikontätningssmassa, monteringskum eller liknande vid den dragtåta installationen.
- Placera apparaten så att inga anslutningskablar skadas eller kläms.
- Använd inte grenuttag eller bärbara strömadaptrar bakom apparaten.

Gasoltdrivna kylskåp i husvagnar eller husbilar måste installeras dragtätt. Det betyder att förbränningsluft inte hämtas från innerutrymmet och att avgaserna hindras från att tränga in i ytor där människor ska vistas.

Mellan kylskåpets bakre vägg och fordonets innerutrymme måste en lämplig tätning monteras.

Tillverkaren rekommenderar att en flexibel tätning används för att underlätta demonteringen och monteringen och av underhållsskäl.

Välj en av de tre versionerna för dragtät installation (bild **8**, sida 7):

Stoppstång bakom kylan (A)

- ▶ Limma fast en böjlig tätningssläpp (**1**) på en stoppstång (**2**) bakom kylskåpet (**3**).
- ▶ Skjut kylskåp-ugn-kombinationen mot stoppstången med de böjliga tätningssläpparna.
- ✓ Utrymmet bakom kylskåpet är tätt förslutet mot fordonets insida.

Sidoglipsavstånd på upp till 5 mm mellan kylskåpet och möbeln (B)

- ▶ Limma fast tätningssläpparna (se kapitel "Tillbehör" på sidan 144) på möbelns sida (**4**).
- ▶ Skjut kylskåp-ugn-kombinationen mot de böjliga tätningssläpparna på möbeln.
- ✓ Utrymmet bakom kylskåpet är tätt förslutet mot fordonets insida.

Sidoglipsavstånd på 5 till 10 mm mellan kylskåpet och möbeln (C)

- ▶ Limma fast de dubbla tätningssläpparna (se kapitel "Tillbehör" på sidan 144) på möbelns sida (**4**).
- ▶ Skjut kylskåp-ugn-kombinationen mot de dubbla tätningssläpparna på möbeln.
- ✓ Utrymmet bakom kylskåpet är tätt förslutet mot fordonets insida.

4.3 Anordna luftnings- och ventilationsöppningar



ANVISNING

- Tillverkaren måste godkänna eventuella avvikelser från de luftnings- och ventilationsvariationer som finns angivna här.
- Vid höga omgivningstemperaturer kan kylskåpet endast leverera max. kyleffekt om luftningen och ventilationen har anordnats på ett optimalt sätt.

- Tillverka en luftnings- och en ventilationsöppning i ytterväggen med måtten 451 mm x 156 mm.

Observera anvisningarna angående detta, se kapitel "Förbereda installationen" på sidan 145.

Om luftningsöppningens ventilationsgaller inte kan monteras i jämnhöjd med inbyggnadsskåpets golv ska man montera en ventilationsöppning i golvet. Eventuellt läckande gasol kan i så fall strömma nedåt.

- Tillverka minst en \varnothing 40 mm luftningsöppning i golvet (bild **9** 1, sida 8) bakom kylskåpet i närheten av gasolbrännaren.
- Skärma av öppningens utsida med en deflektor så att inte lera eller smuts kan tränga in under koringen (bild **9** 2, sida 8).

Om du måste använda en takfläkt istället för ventilationsöppning:

- Gör ett urtag för ramen i taket. Mått som ska användas finns i takfläktens bruksanvisning.
Observera anvisningarna angående detta, se kapitel "Förbereda installationen" på sidan 145.

4.4 Montera ventilationsgaller



ANVISNING

Använd endast Dometics originalventilationsgaller för säker drift.

nr på bild 10 , sida 8	Beskrivning
1	Monteringsram
2	Ventilationsgaller
3	Regel
4	Vinterkåpa för ventilationsgaller (tillbehör)
5	Adapter för kondensstömningsslangen

- Täta installationsramen för att göra anslutningen vattentät (bild **11**, sida 8).
- Sätt i monteringsramen och skruva fast den (bild **12**, sida 8). Använd alla fästhål.
- Installera slangadaptorn enligt bilden (bild **13** 1, sida 9).

- Sätt in ventilationsgallret enligt bilden (bild **14**, sida 9).

4.5 Installera kondensvattenutloppet



ANVISNING

- När dörren öppnas ofta kan det hända att det bildas kondensvatten inuti kylskåpet. Kondensvatten kan även bildas på grund av livsmedel som förvaras på fel sätt eller om man förvara livsmedel vid för hög värme.
- Det måste alltid finnas en lutning så att kondensvattnet kan ledas ut.

Installera kondensvattenutloppet på följande sätt:

- Fäst kondensvattenslangen direkt i adaptern på ventilationsgallret (bild **13** 2, sida 9).

4.6 Montera takfläkten

nr på bild 15 , sida 9	Beskrivning
1	Kåpa
2	Monteringsram

- Täta installationsramen för att göra anslutningen vattentät (bild **16**, sida 9).
- Sätt i monteringsramen och skruva fast den (bild **17**, sida 10). Använd alla fästhål.
- Sätt dit kåpan och skruva fast den (bild **18**, sida 10).

4.7 Fästa kylskåpet



AKTA!

Skruva alltid genom härför avsedda uttag eftersom skummade komponenter, t.ex. kablar, annars risker att skadas.



ANVISNING

Fäst sidväggarna eller de monterade listerna så att skruvarna sitter fast även vid högre belastning (under körning).

- För kylskåpet till den plats där det ska stå.
- Skruva fast skruvarna (bild **19** 1, sida 10) genom plastuttaget i kylskåpets sidor och sedan i väggen.
- Sätt på skydden (bild **19** 2, sida 10) på skruvskallarna.

5 Ansluta kylskåpet

5.1 Anslutning till gasolförsörjning



WARNING! Om man underlåter att följa de här varningarna kan följden bli dödsfall eller allvarlig personskada. Hälsorisk

- Kylskåpet får endast anslutas till gasolkällan av utbildad personal. De gällande nationella föreskrifterna och normerna måste följas.
- Det är **inte** tillåtet att ansluta en slang.
- Använd en skruvkoppling med metalltätning.
- Ta inte bort gasolfiltret (vitt) inuti kylskåpets gasolanslutning.
- Använd endast propan- eller butangasolf flaskor (inte naturgas eller stadsgas) med provade och godkända tryckreduceringsventiler och passande kopplingsdel. Jämför tryckangivelsen på typskylten med tryckuppgifterna på propan- eller butangasolf flaskans tryckregulator.
- Kylskåpet får **endast** användas med det tryck som anges på typskylten.
- Använd **endast** kylskåpet med den gasoltyp som finns angiven på typskylten.
- Beakta gällande bestämmelser om tryckvärden. Använd endast fast installerade tryckregulatorer som motsvarar nationella föreskrifter.



ANVISNING

Som alternativ kan man använda Dometics böjliga gasolanslutningsrör för spänningsfri installation.

Kylskåpet måste kunna spärras separat genom en spärranordning i gasledningen. Spärranordningen måste sitta på ett ställe som är lätt att komma åt.

- Anslut säkert och manuellt kylskåpet till gasförsörjningen (bild **20**, sida 10):



VARNING! Explosionsrisk

Använd alltid de nedanstående vridmomenten:

Del i bild 20 , sida 10	Beskrivning
1	Skruv M4 (torx TX20), Åtdragningsmoment: 2 Nm
2	Gasanslutning för kylskåp: M14 x 1,5 (d = 8 mm/ISO 8434 (DIN 2353))
3	Gasledning med ringkoppling (storlek 17), Åtdragningsmoment: 25 Nm

- Efter korrekt installation låter man en behörig specialist utföra ett läckageprov och en provning med låga.
Kontrollera att du har fått ett provningscertifikat och överlämna certifikatet till slutanvändaren för förvaring.

5.2 Ansluta till likström och växelström



VARNING! Om man underlåter att följa de här varningarna kan följden bli dödsfall eller allvarlig personskada. Risk för dödsfall på grund av elektricitet

Endast specialister får utföra elinstallationen och reparationsarbeten under iakttagande av gällande nationella bestämmelser och normer.



ANVISNING

- Placera inte apparatens kontakt direkt bakom ventilationsgallret så att luftcirkulationen inte hindras och apparatens kontakt skyddas mot vattenstänk.
- Växelströmskabelns kontakt får inte skäras av.
- Anslutningskablar måste dras så att de inte vidrör heta delar på aggregatet/brännaren eller vassa kanter.
- Förändringar av den interna elektriska installationen eller av anslutningen till andra elektriska komponenter (t.ex. extrafläktar från andra tillverkare) på kylskåpets invändiga kablar gör alla typer av garantianspråk ogiltiga.
- Det finns ett CI-bussgränssnitt på kylskåpen RM10.5 och RMS10.5 och man kan styra det via en kompatibel central fordonsdisplay.

Kylskåpets kretsschema (bild 21, sida 11)

Del i bild 21, sida 11	Beskrivning
1	Fläkt 1 (om det finns tillvalsmodul)
2	Tillvalsmodul (tillval)
3	Likströmsförsörjning för ugn (om det finns tillvalsmodul)
4	Likströmsförsörjning för effektmodul
5	NTC 2: Utetemperatur (tillval)
6	NTC 1: Temperatursensor för färska livsmedel
7	Gasolventil
8	Belysning
9	Tungströmställare
10	S+ (tillval)
11	Värmeelement med likström
12	15 A-säkring
13	Likströmsrelä för värmepatron
14	Ingång gasol
15	Anslutningsblock för likström
16	Elektronisk kabel för likströmsförsörjning
17	Likströmsförsörjningskabel för värmeelement
18	CI-buss-anslutning
19	Växelströmsanslutning
20	Värmeelement med växelström
21	Jord
22	Jordfelsbrytare för växelström
23	Tändelektrod
24	Strömmodul
25	Displaymodul

Likström



VARNING! Brandrisk

- Elkabeln för värmeelementet måste skyddas med en säkring på 15 A.
- Elkabeln för elektroniken måste skyddas med en säkring på 2 A.



OBSERVERA!

Likströmsanslutningarnas respektive positiva och negativa elkablar för elektroniken (bild **21** 16, sida 11) och värmeelementet (bild **21** 17, sida 11) får **inte** kopplas ihop med varandra och transporteras i en enda kabel. Elektriska komponenter riskerar i sådana fall att påverkas elektriskt eller skadas.



Beakta följande kabelareor (bild **22**, sida 13):

- Anslutningar för värmeelement:
 - <6 m (invändigt): $\geq 6 \text{ mm}^2$
 - >6 m (invändigt): $\geq 10 \text{ mm}^2$
 - Kabel matad via dragstång (gäller endast husvagnar): $\geq 2,5 \text{ mm}^2$
- Elektroniska anslutningar: $\geq 0,75 \text{ mm}^2$
- Anslutningar D+ och S+: $\geq 0,75 \text{ mm}^2$
- Montera ihop likströmsuttaget på följande sätt (bild **21**, sida 11):
 - Anslut **A** och **C** till batteriets positiva pol.
 - Anslut **D** och **F** till jord.
 - Anslut **B** till D+ signalen.
Kylskåpets elektronik använder generatorns signal D+ för att identifiera fordonsmotorn som är igång. I det automatiska driftläget väljer kylskåpet automatiskt det mest ekonomiska driftläget. Kylskåpet drivs bara med likström när fordonsmotorn är igång.
 - Anslut **E** till CI-BUSSEN.
- Anslut **10** till S+ signalen (tillval).
- Skydda försörjningskabeln **A** med en 2 A-säkring i fordonets kopplingslåda.
- Skydda försörjningskabeln **C** med en 15 A-säkring i fordonets kopplingslåda.
- Led försörjningskabeln **C** via ett tändningslåsstyrt relä.
På så sätt förhindrar man att batteriet laddas ur helt och hållet om motorn råkar slås av av misstag.

Växelström

- Anslut kylskåpet till ett växelströmsuttag med hjälp av apparatens kontakt.

6 Tekniska data

	RM10.5(S)(T)	RMS10.5(S)(T)	RMS10.5X(S)(T)
Anslutningsspänning:	230 V~ /50 Hz 12 V===		
Volym			
Bruttovolym:	88 l	78 l	92 l
Kylfack:	78,7 l	69,1 l	80,3 l
Frysack:	9,2 l	9,2 l	12,1 l
Total nettovolym:	86 l	76 l	90 l
Exklusive frysack			
Bruttovolym:	93 l	83 l	98 l
Nettovolym:	91 l	81 l	96 l
Strömningång:	135 W (230 V~) 130 W (12 V===)		
Energiförbrukning:	2,8 kWh/24 h (230 V~)	2,5 kWh/24 h (230 V~)	3,2 kWh/24 h (230 V~)
Gasolförbrukning:	270 g/24 h		
Anslutningstryck för gas:	30 mbar		
Klimatklass:	SN		
Mått H x B x D:	821 x 523 x 548 mm		821 x 523 x 603 mm
Vikt:	28 kg	27,4 kg	29 kg
Provning/certifikat:	 		

Se respektive produktsida på dometic.com eller kontakta tillverkaren för aktuell EU-försäkran om överensstämmelse för din apparat (se baksida).

Les bruksanvisningen nøye før du monterer og tar apparatet i bruk, og ta vare på den. Hvis produktet selges videre, må du sørge for å gi bruksanvisningen videre også.

**MERK**

Tips for betjeningen finner du i bruksanvisningen.

Innholdsfortegnelse

1	Symbolforklaring	155
2	Sikkerhetsregler	156
3	Tilbehør	158
4	Montere kjøleskapet	158
5	Koble til kjølesystemet	164
6	Tekniske spesifikasjoner	168

1 Symbolforklaring

**ADVARSEL!**

Sikkerhetshenvisning til en faresituasjon som kan føre til alvorlige personskader, eventuelt med døden til følge, dersom de ikke blir unngått.

**FORSIKTIG!**

Sikkerhetshenvisning til en faresituasjon som kan føre til lette eller middels alvorlige personskader, dersom de ikke blir unngått.

**PASS PÅ!**

Henvisning til en situasjon som kan føre til tingskader dersom den ikke blir unngått.

**MERK**

Utfyllende informasjon om betjening av produktet.

2 Sikkerhetsregler

Produsenten tar i følgende tilfeller intet ansvar for skader:

- Montasje- eller tilkoblingsfeil
- Skader på produktet på grunn av mekanisk påvirkning og feil tilkoblingsspenning
- Endringer på produktet uten at det er gitt uttrykkelig godkjenning av produsenten
- Bruk til andre formål enn det som er beskrevet i veiledningen



ADVARSEL! Manglende overholdelse av disse advarslene kan resultere i alvorlige personskader, eventuelt med døden til følge.

Eksplisjonsfare

- Absorbsjonsaggregatet må aldri åpnes. Det står under høytrykk og kan forårsake personskader hvis det åpnes.
- Kjøleskapet må **kun** drives med trykket som er oppgitt på typeskiltet. Bruk kun fast innstilte trykkregulatorer som oppfyller de nasjonale forskriftene (i Europa EN 12864).

Brannfare

- Pass på at bearbeidingen av silikontetningsmasse e.l. er blir jevn og uten rester. Hvis silikontråder kommer i kontakt med varme deler eller åpen ild, er det fare for brann.
- Kontroller aldri at kjøleskapet er tett ved hjelp av åpen ild.
- Bruk kun propan- eller butangass (**ikke** naturgass).

Helsefare

- Kjøleskapet må ikke tas i bruk hvis det har synlige skader.
- Hvis vekselstrøm-tilkoblingskabelen til dette kjøleskapet kommer til skade, må det skiftes ut av produsenten, produsentens kundeservice eller annen kvalifisert person for å unngå farlige situasjoner.
- Reparasjoner på dette kjøleskapet må kun utføres av fagfolk. Usakkyndige reparasjoner kan føre til alvorlige farer.

Kvelningsfare

- Ved avfallsbehandling av kjøleskap, må kjøleskapdøren fjernes og hyller etc. bli værende igjen i kjøleskapet; dette for å forhindre at noen lukkes inne i det og kveles.

**FORSIKTIG! Manglende overholdelse av disse forsiktighetsvarslene kan resultere i mindre til moderate personskader.****Elektrisk støt**

- Før du tar apparatet i bruk, må du passe på at ledningen og støpslet er tørre.

Fare for kvestelser

- Ikke grip i hengselet.

**PASS PÅ! Fare for skade**

- Hold bare kjøleskapet i selve kjøleskapkroppen under transport. Hold aldri kjøleskapet på absorpsjonsaggregatet, kjøleribbene, gassledningene, døren eller betjeningsplaten.
- Pass på at kjølekretsløpet ikke kommer til skade under transporten. Kjølemiddelet i kjølekretsløpet er lett antennelig. Ved skader på kjølekretsløpet (ammoniakkluft):
 - Slå eventuelt av kjøleskapet.
 - Unngå å åpen ild og gnister.
 - Sørg for god ventilasjon i rommet.
- Ikke monter kjøleskapet i nærheten av åpen ild eller andre varmekilder (radiatorer, gassovner osv.).
- **Fare for overoppheting!**

Påse at varme som oppstår under drift alltid blir tilstrekkelig ventilert bort. Påse at kjøleskapet står langt nok unna vegger eller gjenstander, slik at luften kan sirkulere.
- Sammenlign spenningsspesifikasjonene på merkeskiltet med tilgjengelig strømtilførsel.
- Kjølekretsløpet må ikke åpnes under noen omstendigheter.
- Bruk bare den tilhørende vekselstrøm-tilkoblingskabelen til å koble kjøleskapet til vekselstrømsstikkontakt.
- Bruk kun kabler med passende tverrsnitt.
- Trekk aldri støpslet ut av stikkontakten etter ledningen.
- Kjøleskapet må ikke utsettes for regn.

3 Tilbehør

Beskrivelse

Fleksibelt gassrør

Tetning for trekksikker installasjon for åpninger på 1 – 5 mm (fig. **8 B**, side 6)

Tetning for trekksikker installasjon for åpninger på 5 – 10 mm (fig. **8 C**, side 6)

Vinterdeksel WA 130 for luftgitteret LS 200

Adapterkabel

- WAGO til CEE
- WAGO til UK
- WAGO til JST
- WAGO til MATE-N-LOK

Alternativt viftesett REF-FANKIT

Alternativ batteripakke R10-BP for uavhengig gassdrift

Alternativt oppbevaringssett

4 Montere kjøleskapet



FORSIKTIG! Helsefare

For å unngå farer som følge av en manglende stabilitet på apparatet, må det festes i samsvar med instruksene.



Du finner bruksanvisningen for bytte av dørstopper og dekorplate online på: «dometic.com/manuals».

Apparatet er egnet for montasje i:

- campingbiler
- bobiler

4.1 Forberede montering



PASS PÅ!

- Kjøleskapet kan ikke installeres bak i bobiler med døren pekende i kjøreretning.
- Bruk kun originalt luftegitter fra Dometic for å garantere sikker drift.

Følg ved montering av kjøleskapet følgende tips:

- Forsikre deg om at gulvet er solid og vannrett. Parker derfor kjøretøyet horisontalt.
- Forsikre deg om at kjøleskapet står vannrett.
- Kjøleskapet må installeres slik at det
 - er lett tilgjengelig for servicearbeider
 - er lett å deinstallere og installere
 - enkelt kan fjernes fra kjøretøyet
- Kjøleskapet må monteres i en nisje slik at det står sikkert når kjøretøyet beveges. Ta hensyn til følgende mål i (fig. **1**, side 3 og fig. **2**, side 4):

	RM10.5(S)(T)	RMS10.5(S)(T)	RMS10.5X(S)(T)
Kjølesystem	Totalt mål i mm		
Høyde (A)	821	821	821
Bredde (B)	523	523	523
Dybde (C) (unntatt kontrollknapp 5 mm)	548	548	603
Utsparing	Mål i mm		
Høyde (H)	≥824	≥824	≥824
Bredde (W)	≥525,5	≥525,5	≥525,5
Dybde (D)	≥563	≥563	≥618

- I ytterveggen må det tilrettelegges en ventilasjonsåpning (fig. **3** 1, side 4) og en lufteåpning (fig. **3** 2, side 4) med luftegitter, slik at varmen som oppstår kan slippe ut:
 - Ventilasjonsåpning: Monter luftegitteret så mye som mulig i flukt med bunnen til monteringsnisjen.
 - Lufteåpning: Så langt som mulig over kjøleskapet.
 - Avstanden mellom ventilasjonsåpningen og lufteåpningen må være minst 1050 mm (fig. **4**, side 4).

- Tilrettelegg en varmeledeplate på oversiden av kjøleskapet (fig. **4** 1, side 4), slik at varmen ikke samles opp i kjøretøyet.
- Avstanden mellom kjøleskapet og bakveggen må være minst 15 mm, men ikke mer enn 25 mm.
- En avstand på over 25 mm mellom kjøleskapet og bakveggen fører til redusert effekt og økt energiforbruk i kjøleskapet. Reduser hulrommet bak kjøleskapet for å sikre tilstrekkelig lufting (fig. **5**, side 5). Bruk f.eks. en luftledeplate.
- Hvis minsteavstanden mellom lufteåpningen og ventilasjonsåpningen ikke kan overholdes, må det monteres en takventilator i stedet for ventilasjonsåpningen.
 - Takventilatoren bør helst ligge rett over baksiden av kjøleskapet. Hvis takventilatoren må plasseres annerledes, må det brukes en luftekanal (fig. **6** 1, side 5) for å forhindre varmeansamlinger.
 - Avstanden mellom lufteåpningen og takventilatoren må være minst 900 mm (fig. **6**, side 5).
 - Hvis det er montert et takklimaanlegg, må det være minst 300 mm avstand mellom takventilasjonen (fig. **7** 1, side 6) og luftutslippet på takklimaanlegget (fig. **7** 2, side 6).
- Kjøleskapet må ikke monteres på siden av lufte- og ventilasjonsåpningene, da det kan føre til redusert effekt og økt energiforbruk i kjøleskapet.
- Lufte- og ventilasjonsåpningene må ikke dekkes til av kjøretøydeler under drift (f.eks. en åpnert dør eller ved montert tilbehør som sykkel feste).
- Installer kjøleskapet beskyttet mot sterk varmestråling, da det kan føre til redusert effekt og økt energiforbruk i kjøleskapet.
- Kjøleskapet må monteres tett mot trekk.

4.2 Montere kjøleskapet tett mot trekk



ADVARSEL! Brannfare!

- Ikke bruk lettantennelige materialer som silikon-tetningsmasse, monteringsgum eller lignende for å gjøre montasjen tett mot trekk.
- Posisjoner apparatet slik at ingen forbindelseskabler er skadde eller klemt.
- Ikke bruk stikkontakt med flere stikk eller bærbare strømadaptere bak apparatet.

Gassdrevne kjøleapparater i campingvogner eller bobiler må monteres tett mot trekk. Det betyr at forbrenningsluften ikke hentes innenfra, og at avgassene hindres fra å trenge direkte inn i boområdet.

En egnet tetning må finnes mellom bakveggen til kjøleskapet og innsiden av kjøretøyet.

Produsenten anbefaler å bruke en fleksibel tetning for å forenkle ut- og innbygging for vedlikeholdsformål.

Velg en av de tre versjonene for treksikker installasjon (fig. **8**, side 7):

Stoppestang bak kjøleskapet (A)

- ▶ Lim en fleksibel tetningsleppe (**1**) til en stoppestang (**2**) bak på kjøleskapet (**3**).
- ▶ Skyv kjøleskap-ovn-kombinasjonen mot stoppestangen med de fleksible tetningsleppene.
- ✓ Plassen bak kjøleskapet er tettet mot kjøretøyets interiør.

Sprekke på siden på opptil 5 mm mellom kjøleskap og møbel (B)

- ▶ Lim tetningsleppene (se kapittel «Tilbehør» på side 158) på siden av møbelet (**4**).
- ▶ Skyv kjøleskap-ovn-kombinasjonen mot de fleksible tetningsleppene på møbelet.
- ✓ Plassen bak kjøleskapet er tettet mot kjøretøyets interiør.

Sprekke på siden på 5 mm - 10 mm mellom kjøleskap og møbel (C)

- ▶ Lim tetningen med dobbeltlepper (se kapittel «Tilbehør» på side 158) på siden av møbelet (**4**).
- ▶ Skyv kjøleskap-ovn-kombinasjonen mot tetningen med dobbeltlepper på møbelet.
- ✓ Plassen bak kjøleskapet er tettet mot kjøretøyets interiør.

4.3 Lage ventilasjons- og lufteåpninger



MERK

- Avvik fra inntaks- og utslippsvariasjonene som er vist her, må godkjennes av produsenten.
- Ved høye omgivelsestemperaturer kan kjøleskapet bare oppnå sin maksimale kjøleeffekt når det er optimal ventilasjon og lufting.

- ▶ Lag en ventilasjonsåpning og en lufteåpning i ytterveggen med størrelsen 451 mm x 156 mm.
Følg anvisningene, se kapittel «Forberede montering» på side 159.

Hvis luftegitteret til lufteåpningen ikke kan monteres i flukt med gulvet til monteringsnisen, lag en ventilasjonsåpning i gulvet. Enhver lekkende gass kan dermed strømme nedover.

- Lag en ventilasjonsåpning på minst Ø 40 mm i gulvet (fig. **9** 1, side 8) i området rundt gassbrenneren bak kjøleskapet.
- Dekk til utsiden av åpningen slik at slam eller smuss ikke kan trenge inn mens du kjører (fig. **9** 2, side 8).

Hvis det må brukes en takventilator i stedet for ventilasjonsåpningen:

- Utfør et rammeutsnitt i taket. Målet som trengs finner du i veiledningen for takventilatoren.
- Følg anvisningene, se kapittel «Forberede montering» på side 159.

4.4 Montere luftegitter



MERK

Bruk kun originalt luftegitter fra Dometic for å garantere sikker drift.

Pos. i fig. 10 , side 8	Beskrivelse
1	Monteringsramme
2	Luftegitter
3	Skyver
4	Vinterdeksel for luftegitteret (tilbehør)
5	Adapter for tappeslange for kondens

- Forsegle installasjonsrammen for å gjøre tilkoblingen vannfast (fig. **11**, side 8).
- Sett inn monteringsrammen og skru den fast (fig. **12**, side 8). Bruk alle festehull til dette.
- Installer slangeadapteren som vist (fig. **13** 1, side 9).
- Sett inn luftegitteret som vist (fig. **14**, side 9).

4.5 Installere kondensvannutløp



MERK

- Det kan oppstå kondens inne i kjøleskapet på grunn av hyppig dør-åpning, feillagret mat eller mat som legges inn når den er for varm.
- Kondensen må tømmes med en konstant skråstilling.

Installer kondensutløpet som følger:

- Fest kondensslangen direkte til adapteren på luftegitteret (fig. **13** 2, side 9).

4.6 Montering av takvifte

Pos. i fig. 15 , side 9	Beskrivelse
1	Deksel
2	Monteringsramme

- Forsegle installasjonsrammen for å gjøre tilkoblingen vannfast (fig. **16**, side 9).
- Sett inn monteringsrammen og skru den fast (fig. **17**, side 10). Bruk alle festehull til dette.
- Sett på dekselet og skru det fast (fig. **18**, side 10).

4.7 Feste kjøleskap



FORSIKTIG!

Skru alltid i punktene som er tilrettelagt for dette, ellers kan innskummede komponenter som f.eks., ledninger komme til skade.



MERK

Fest sideveggene eller de påførte listene på en slik måte at skruene også sitter godt ved høy belastning (under kjøring).

- Sett kjøleskapet i sin endelige posisjon.
- Skru skruene (fig. **19** 1, side 10) inn gjennom plasthylsene i sideveggene på kjøleskapet og videre inn i nisjevæggen.
- Sett hettene (fig. **19** 2, side 10) på skruehodene.

5 Koble til kjølesystemet

5.1 Tilkobling til gassforsyningen



ADVARSEL! Manglende overholdelse av disse advarslene kan resultere i alvorlige personskader, eventuelt med døden til følge. Helsefare

- Kjøleskapet må bare kobles til gassforsyningen av en fagperson og i henhold til gjeldende nasjonale forskrifter og standarder.
- Tilkobling med slange er **ikke** tillatt.
- Bruk en metallforseglet skruetilkobling.
- Gassfilteret (hvitt) i kjøleskapets gasstilkobling må ikke fjernes.
- Bruk kun propan- eller butangassflasker (ikke naturgass eller kullgass) med testet trykkreduksjonsventil og et passende toppstykke. Sammenlikne trykkangivelsen på typeskiltet med trykkangivelsen på trykkregulatoren på propan- eller butangassflasken.
- Kjøleskapet må **kun** drives med trykket som er oppgitt på typeskiltet.
- Kjøleskapet må **kun** drives med den gasstypen som er oppgitt på typeskiltet.
- Vær oppmerksom på trykkene som er tillatt i ditt land. Bruk kun fast innstilte trykkregulatorer som oppfyller de nasjonale forskriftene.



MERK

Alternativt kan du bruke Dometics fleksible gassforbindelsesrør for å holde installasjonen trykkrfri.

Kjøleskapet må kunne sperres av separat ved hjelp av en stengeinnretning i gassledningen. Stengeinnretningen må være lett tilgjengelig.

- Koble kjøleskapet fast og spenningsfritt til gassforsyningen (fig. **20**, side 10):



ADVARSEL! Eksplosjonsfare

Det er viktig at du overholder følgende tiltrekkingsmomenter:

Posisjon i fig. 20 , side 10	Beskrivelse
1	Skrue M4 (Torx TX20), Tiltrekkingsmoment: 2 Nm
2	Kjøleskapsgasstilkobling: M14 x 1,5 (d = 8 mm / ISO 8434 (DIN 2353))
3	Gassrør med ringkobling (størrelse 17), Tiltrekkingsmoment: 25 Nm

- Få utført en lekkasjetest og en flammetest av en autorisert spesialist etter profesjonell installasjon.
Sørg for at du er utstyrt med et inspeksjons sertifikat og overlever dette sertifikatet til sluttbrukeren for oppbevaring.

5.2 Tilkobling til likestrøm og vekselstrøm



ADVARSEL! Manglende overholdelse av disse advarslene kan resultere i alvorlige personskader, eventuelt med døden til følge. Fare for elektrisk støt

Den elektriske installasjonen og reparasjoner må bare utføres av en fagperson og iht. gjeldende nasjonale forskrifter og standarder.



MERK

- Enhetens plugg må ikke plasseres rett bak luftegitteret for å forhindre luftsirkulasjon fra å reduseres og beskytte enhetspluggen mot vannsprut.
- Enhetspluggen på vekselstrøm-tilkoblingskabelen må ikke kuttes av.
- Tilkoblingskablene må legges slik at de ikke kan komme i berøring med varme deler på aggregatet/brenneren eller med skarpe kanter.
- Forandringer på den interne elektriske installasjonen eller tilkoblingen til andre elektriske komponenter (f.eks. ekstern ekstravifte) på det interne ledningsnettet til kjøleskapet, fører til en annullering av ethvert krav knyttet til garanti og produktansvar!
- Kjøleskapene RM 10.5 og RMS 10.5 har et CI-bussgrensesnitt og kan kontrolleres gjennom et kompatibelt sentralt kjøretøysdisplay.

Kjøleskapets koblingsskjema (fig. 21, side 11)

Posisjon i fig. 21, side 11	Beskrivelse
1	Vifte 1 (hvis alternativmodulen er tilgjengelig)
2	Alternativmodul (ekstrautstyr)
3	Likestrømsforsyning oven (hvis alternativmodul er tilgjengelig)
4	Likestrømsforsyning strømmodul
5	NTC2: Utetemperatur (alternativ)
6	NTC1: Temperatursensor for ferske matvarer
7	Gassventil
8	Belysning
9	Reed-bryter
10	S+ (ekstrautstyr)
11	Varmeelement likestrøm
12	15 A sikring
13	Likestrømsrelé for varmepatron
14	Inngang gass
15	Likestrøms-tilkoblingsblokk
16	Likestrømsforsyningskabel elektronikk
17	Likestrømsforsyningskabel varmeelement
18	CI-busstilkobling
19	Vekselstrømnett
20	Varmeelement vekselstrøm
21	Jord
22	Vekselstrømvern jord
23	Tenningselektrode
24	Strømmodul
25	Displaymodul

Likestrøm



ADVARSEL! Brannfare

- Forsyningslinjen til varmeelementet må være beskyttet av en 15 A-sikring.
- Forsyningslinjen til elektronikken må være beskyttet av en 2 A-sikring.



PASS PÅ!

De respektive positive og negative forsyningskablene til likestrømsforbindelsene for elektronikk (fig. **21** 16, side 11) og varmeelement (fig. **21** 17, side 11) må **ikke** forbindes med hverandre og føres på én ledning. Det kan føre til elektrisk påvirkning eller skader på elektriske komponenter.


Overhold følgende ledningstverrsnitt (fig. **22**, side 13):

- Tilkoblinger varmeelement:
 - <6 m (i kupeen): $\geq 6 \text{ mm}^2$
 - >6 m (i kupeen): $\geq 10 \text{ mm}^2$
 - Kabelmating via vognstang (kun campingbiler): $\geq 2,5 \text{ mm}^2$
- Tilkoblinger elektronikk: $\geq 0,75 \text{ mm}^2$
- Forbindelse D+ og S+: $\geq 0,75 \text{ mm}^2$
- Monter likestrømskontakten som følger (fig. **21**, side 11):
 - Koble **A** og **C** til plusspolen på batteriet.
 - Koble **D** og **F** til jord.
 - Koble **B** til D+ signalet.
Elektronikken til kjøleskapet bruker bare signalet D+ fra dynamoen for å registrere kjøretøymotoren som er i gang. I automatisk driftsmodus velger kjøleskapet automatisk den gunstigste driftsmåten som foreligger. Kjøleskapet drives bare med likestrøm hvis kjøretøymotoren er i gang.
 - Koble **E** til CI-bussen.
- Koble **10** til S+ signalet (alternativ).
- Beskytt forsyningsledningen **A** med en 2 A-sikring i strømfordelerboksen på kjøretøyet.
- Beskytt forsyningsledningen **C** med en 15 A-sikring i strømfordelerboksen på kjøretøyet.
- Kjør forsyningsledningen **C** via et tenningsstyrt relé.
Dette forhindrer at batteriet lades fullstendig ut hvis motoren slås av ved et uhell.

Vekselstrøm

- Koble kjøleskapet til et AC-uttak ved bruk av enhetspluggen.

6 Tekniske spesifikasjoner

	RM10.5(S)(T)	RMS10.5(S)(T)	RMS10.5X(S)(T)
Tilkoblingsspenning:	230 V~ / 50 Hz 12 V=		
Innhold			
Bruttoinnhold:	88 l	78 l	92 l
Kjølerom:	78,7 l	69,1 l	80,3 l
Fryserom:	9,2 l	9,2 l	12,1 l
Totalt nettoinnhold:	86 l	76 l	90 l
Unntatt fryserom			
Bruttoinnhold:	93 l	83 l	98 l
Nettoinnhold:	91 l	81 l	96 l
Inngangseffekt:	135 W (230 V~) 130 W (12 V=)		
Energiforbruk:	2,8 kWh/24 h (230 V~)	2,5 kWh/24 h (230 V~)	3,2 kWh/24 h (230 V~)
Gassforbruk:	270 g / 24 t		
Gasstikoblingstrykk:	30 mbar		
Klimaklasse:	SN		
Mål H x B x D:	821 x 523 x 548 mm		821 x 523 x 603 mm
Vekt:	28 kg	27,4 kg	29 kg
Inspeksjon/sertifisering:			

For den gjeldende EU-samsvarserklæringen for din enhet, se den aktuelle produkt-siden på dometic.com eller kontakt produsenten direkte (se siste side).

Lue tämä ohje huolellisesti läpi ennen asennusta ja käyttöönottoa ja säilytä ohje hyvin. Jos myyt tuotteen eteenpäin, anna ohje tällöin edelleen uudelle käyttäjälle.



OHJE

Käyttöä koskevia ohjeita löydät käyttöohjeesta.

Sisällysluettelo

1	Symbolien selitykset	169
2	Turvallisuusohjeet	170
3	Lisävarusteet	172
4	Jääkaapin asennus	172
5	Jääkaapin liittäminen	179
6	Tekniset tiedot	183

1 Symbolien selitykset



VAROITUS!

Turvallisuusohje koskien vaaratilannetta, joka voi johtaa kuolemaan tai vakavaan vammaan, jos tilannetta ei vältetä.



HUOMIO!

Turvallisuusohje koskien vaaratilannetta, joka voi johtaa lievään tai kohtalaiseen vammaan, jos tilannetta ei vältetä.



HUOMAUTUS!

Ohje koskien tilannetta, joka voi johtaa esinevahinkoihin, jos sitä ei vältetä.



OHJE

Tuotteen käyttöä koskevia lisätietoja.

2 Turvallisuusohjeet

Valmistaja ei ota mitään vastuuta vahingoista seuraavissa tapauksissa:

- asennus- tai liitännävirheet
- laite on vaurioitunut mekaanisten tekijöiden vaikutuksesta ja väärän liitännäjännitteen vuoksi
- tuotteeseen ilman valmistajan nimenomaista lupaa tehdyt muutokset
- käyttö muuhun kuin käyttöohjeessa ilmoitettuun tarkoitukseen



VAROITUS! Näiden varoitusten noudattamatta jättäminen voi johtaa kuolemaan tai vakavaan vammaan.

Räjähdyksivaara

- Älä milloinkaan avaa absorptioaggregaattia. Se on korkean paineen alainen ja voi aiheuttaa loukkaantumisia, jos se avataan.
- Jääkaappia saa käyttää **vain** tyypikilvessä mainitulla paineella. Käytä vain kiinteästi säädettyjä paineensäätimiä, jotka vastaavat kansallisia määräyksiä (Euroopassa EN 12864).

Palovaara

- Varmista, että työ tehdään siististi ja ilman jäämiä, kun käytetään silikonitiivistemassaa tms. Jos silikonisäikeet joutuvat kosketuksiin kuumien osien tai avoliekkien kanssa, on olemassa palovaara.
- Älä koskaan etsi jääkaapista vuotoja avoliekin avulla.
- Käytä vain propaani- tai butaanikaasua (**ei** maakaasua).

Terveysriski

- Jääkaappia ei saa ottaa käyttöön, jos siinä on näkyviä vaurioita.
- Jos tämän jääkaapin vaihtovirtaliitäntäjohto vaurioituu, valmistajan, valtuutetun asiakaspalvelun tai vastaavasti pätevän henkilön pitää vaihtaa se vaaran välttämiseksi.
- Ainoastaan ammattilaiset saavat korjata tätä jääkaappia. Epäasianmukaisista korjauksista saattaa aiheutua huomattavia vaaroja.

Tukehtumisvaara

- Vanhaa jääkaappia hävitettäessä irrota kaikki jääkaapinovat ja jätä hyllyt paikoilleen, jotta kukaan ei voi jäädä loukkuun jääkaapin sisään ja tukehtua.



HUOMIO! Näiden varoitusten noudattamatta jättäminen voi johtaa vähäiseen tai kohtalaiseen vammaan.

Sähköisku

- Varmista ennen laitteen käyttöönottoa, että virtakaapeli ja pistoke ovat kuivia.

Puristumisvaara

- Älä koske saranaan.



HUOMAUTUS! Vaurioitumisvaara

- Pidä kuljetuksen aikana jääkaapista kiinni vain jääkaapin rungosta. Älä koskaan pidä kiinni jääkaapista absorptioaggregaatista, kaasujohdoista, ovesta tai käyttöpaneelista.
- Varo jäähdytyskierron vahingoittumista kuljetuksen aikana. Jäähdytyskierron sisältämä kylmäaine on helposti syttyvää. Kylmäainekierron vahingoituttua (ammoniakin hajuu):
 - Katkaise tarvittaessa virta jääkaapista.
 - Ehkäise avotulen ja sytytyskipinöiden esiintyminen.
 - Tuuleta tila huolellisesti.
- Älä asenna jääkaappia avotulen tai muiden lämpölähteiden lähelle (lämmitin, kaasu-uunit jne.).
- **Ylikuumenemisvaara!** Huolehdi aina siitä, käytössä syntyvä lämpö saadaan johdettua riittävästi hyvin pois. Huolehdi siitä, että jääkaappi on riittävän etäällä seinistä tai esineistä, jotta ilma pääsee kiertämään.
- Vertaa tyyppikilven jännitetietoja käytettävissä olevaan energiansyöttöön.
- Älä missään tapauksessa avaa jäähdytyskiertoa.
- Liitä jääkaappi vain siihen kuuluvalla vaihtovirtaliitäntäjohdolla vaihtovirtapistorasiaan.
- Käytä vain johtoja, joiden poikkipinta-ala on sopiva.
- Älä ota pistoketta koskaan pois pistorasista johdosta vetämällä.
- Jääkaappia ei saa asettaa alttiiksi sateelle.

3 Lisävarusteet

Kuvaus

Taipuisa kaasuputkisto

Tiiviste ilmatiiviiseen asennukseen 1 – 5 mm:n rakoja varten (kuva **8 B**, sivulla 6)

Tiiviste ilmatiiviiseen asennukseen 5 – 10 mm:n rakoja varten (kuva **8 C**, sivulla 6)

Tuuletusritilän LS 200 talvipeite WA 130

Adapterikaapeli

- WAGO – CEE
- WAGO – UK
- WAGO – JST
- WAGO – MATE-N-LOK

Valinnainen tuuletinsarja REF-FANKIT

Valinnainen paristosarja Pack R10-BP itsenäistä kaasukäyttöä varten

Valinnainen säilytysarja

4 Jääkaapin asennus



HUOMIO! Terveysriski

Jotta laitteen epävakaus ei aiheuttaisi vaaraa, se on kiinnitettävä ohjeiden mukaisesti.



Oven kätisyyden ja koristelevyn vaihtamista koskevat ohjeet ovat saatavissa verkko-osoitteesta:
"dometic.com/manuals".

Laite soveltuu asennettavaksi:

- asuntovaunuihin
- matkailuautoihin

4.1 Asennuksen valmistelu



HUOMAUTUS!

- Jääkaappia ei saa asentaa asuntovaunun takaosaan ovi ajosuuntaan päin.
- Varmista turvallinen toiminta käyttämällä ainoastaan Dometicin tuuletusrilöitä.

Noudata jääkaappia asentaessasi seuraavia ohjeita:

- Varmista, että lattia on luja ja suorassa.
Pysäköi ajoneuvo tätä varten vaakasuoraan.
- Varmista, että jääkaappi suorassa.
- Jääkaappi on asennettava siten, että
 - laite on helposti saavutettavissa huoltotöitä varten
 - laite on helppo irrottaa ja asentaa paikalleen
 - laite on helppo poistaa ajoneuvosta
- Jääkaappi täytyy asentaa syvennykseen, jotta se pysyy tukevasti paikallaan ajoneuvon liikkeessä. Noudata tässä mittoja (kuva **1**, sivulla 3 ja kuva **2**, sivulla 4):

	RM10.5(S)(T)	RMS10.5(S)(T)	RMS10.5X(S)(T)
Kylmälaite	Yleismitat mm		
Korkeus (A)	821	821	821
Leveys (B)	523	523	523
Syvyys (C) (poislukien ohjausnuppi 5 mm)	548	548	603
Syvennyks	Mitta mm		
Korkeus (H)	≥824	≥824	≥824
Leveys (W)	≥525,5	≥525,5	≥525,5
Syvyys (D)	≥563	≥563	≥618

- Ulkoseinässä täytyy olla ritilällä peitetty tuuletusaukko (kuva **3** 1, sivulla 4) ja ilmanpoistoaukko (kuva **3** 2, sivulla 4), jotta syntyvä lämpö pääsee poistumaan hyvin ympäristöön:
 - Tuuletusaukko: Asenna tuuletusritilä mahdollisimman tarkasti asennussyvennyksen pohjan tasalle.
 - Ilmanpoistoaukko: mahdollisimman korkealla jääkaapin yläpuolella.
 - Tuuletusaukon ja ilmanpoistoaukon välisen etäisyyden tulee olla vähintään 1050 mm (kuva **4**, sivulla 4).
- Asenna jääkaapin yläpuolelle lämmönohjauslevy (kuva **4** 1, sivulla 4), jotta lämpö ei kerääny ajoneuvoon.
- Jääkaapin ja takaseinän välisen etäisyyden tulee olla vähintään 15 mm ja enintään 25 mm.
- Jos jääkaapin ja peräseinän välinen etäisyys on yli 25 mm, jääkaapin teho heikenee ja energiankulutus kasvaa. Pienennä jääkaapin takana olevaa tyhjää tilaa siten, että riittävä ilmanvaihto on turvattu (kuva **5**, sivulla 5). Käytä tähän tarkoitukseen esimerkiksi ilmanohjauslevyä.
- Jos tuuletusaukon ja ilmanpoistoaukon välistä vähimmäisetäisyyttä ei voida turvata, täytyy ilmanpoistoaukon sijaan asentaa kattotuuletin.
 - Kattotuuletin täytyy asentaa mahdollisuuksien mukaan suoraan jääkaapin taustapuolen yläpuolelle. Käytä ilmakehää (kuva **6** 1, sivulla 5), jos kattotuuletin täytyy asentaa eri kohtaan. Muutoin seurauksena voi olla lämmön kerääntyminen.
 - Tuuletusaukon ja kattotuulettimen välisen etäisyyden täytyy olla vähintään 900 mm (kuva **6**, sivulla 5).
 - Jos asennettuna on kattoilmastointilaitte, kattotuulettimen (kuva **7** 1, sivulla 6) ja kattoilmastointilaitteen ilmanpoiston (kuva **7** 2, sivulla 6) välisen etäisyyden on oltava vähintään 300 mm.
- Jääkaappia ei saa asentaa tuuletus- ja ilmanpoistoaukkojen sivulle, koska se heikentäisi jääkaapin tehoa ja kasvattaisi energiankulutusta.
- Ajoneuvon osat (esim. avattu ovi tai asennetut lisävarusteet kuten polkupyöräteline) eivät saa peittää tuuletus- ja ilmanpoistoaukkoja käytön aikana.
- Asenna jääkaappi suojaan liian voimakkaalta lämpösäteilyltä, koska se heikentää jääkaapin tehoa ja kasvattaa energiankulutusta.
- Jääkaappi täytyy asentaa ilmatiiviisti.

4.2 Jääkaapin asentaminen ilmatiiviisti



VAROITUS! Palovaara!

- Älä käytä ilmatiiviiseen asennukseen mitään helposti syttyviä materiaaleja kuten silikonitiivistysmassoja, asennusvaahtoa tai vastaavaa.
- Sijoita laite siten, että liitäntäjohdot eivät vaurioidu tai jää puristuksiin.
- Älä sijoita pistorasialistoja tai kannettavia virtalähteitä laitteen taakse.

Kaasukäyttöiset jääkaapit täytyy asentaa asuntovaunuihin tai matkailuautoihin vedottomaan ilmatiiviisti. Tämä tarkoittaa, että palamisen tarvitsemää ilmaa ei oteta sisätilasta ja pakokaasujen suora pääsy asuintilaan estetään.

Jääkaapin takaseinän ja ajoneuvon sisätilan väliin täytyy laittaa sopiva tiiviste.

Valmistaja suosittelee joustavan tiivisteiden käyttämistä, jotta irrottaminen ja kiinnittäminen huollon yhteydessä on yksinkertaisempaa.

Valitse jokin kolmesta ilmatiiviiseen asennuksen mahdollistavasta asennustavasta (kuva **8**, sivulla 7):

Pysäytintanko jääkaapin takana (A)

- Liimaa joustava tiivistyshuuli **(1)** pysäytintankoon **(2)** jääkaapin **(3)** takana.
- Työnnä jääkaappi-uuni-yhdistelmä joustavilla tiivistehuulilla varustettua pysäytintankoa vasten.
- ✓ Jääkaapin taakse jäävä tila on tiivistetty ajoneuvon sisätilan suhteen.

Enintään 5 mm:n sivuttainen rako jääkaapin ja kalusteen välillä (B)

- Liimaa tiivistehuulet (ks. kap. "Lisävarusteet" sivulla 172) kalusteen **(4)** sivulle.
- Paina jääkaappi-uuni-yhdistelmä kalusteeseen kiinnitettyjä joustavia tiivistehuulia vasten.
- ✓ Jääkaapin taakse jäävä tila on tiivistetty ajoneuvon sisätilan suhteen.

Sivuttainen rako 5 mm – 10 mm jääkaapin ja kalusteen välillä (C)

- Liimaa kaksihuulinen tiiviste (ks. kap. "Lisävarusteet" sivulla 172) kalusteen **(4)** sivulle.
- Paina jääkaappi-uuni-yhdistelmä kalusteeseen kiinnitettyä kaksihuulista tiivistettä vasten.
- ✓ Jääkaapin taakse jäävä tila on tiivistetty ajoneuvon sisätilan suhteen.

4.3 Tuuletus- ja ilmanpoistoaukkojen tekeminen



OHJE

- Valmistajan hyväksyntä on välttämätön, jos tässä esitetyistä tuuletus- ja ilmanpoistoaukkojen versioista halutaan poiketa.
- Kun ympäristön lämpötila on korkea, jääkaappi saavuttaa maksimi-jäähdytystehonsa vain, jos optimaalisesta tuuletuksesta ja ilmanpoistosta on huolehdittu.

- Tee ulkoseinään tuuletus- ja ilmanpoistoaukot, joiden koko on 451 mm x 156 mm.

Noudata tässä ohjeita, katso kap. "Asennuksen valmistelu" sivulla 173.

Tee lattiaan tuuletusaukko, jos tuuletusaukon tuuletusritilän reunaa ei voida asentaa asennussyvennyksen lattian tasolle. Mahdollisesti vuotava kaasu pääsee näin virtaamaan alaspäin.

- Tee jääkaapin taakse kaasupolttimen alueelle lattiaan tuuletusaukko (kuva **9** 1, sivulla 8), jonka halkaisija on vähintään 40 mm.
- Suojaa aukko ulkopuolelta päättekappaleella, jotta kuraa tai likaa ei pääse sisään ajon aikana (kuva **9** 2, sivulla 8).

Jos on käytettävä ilmanpoistoaukon sijaan kattotuuletinta:

- Valmista kattoon kehysaukko. Katso tarvittavat mitat kattotuulettimen käyttöohjeesta.
Noudata tällöin asiaankuuluvia ohjeita, katso kap. "Asennuksen valmistelu" sivulla 173.

4.4 Tuuletusritilän asennus



OHJE

Varmista turvallinen toiminta käyttämällä ainoastaan Dometicin tuuletusritilöitä.

Kohta – kuva 10 , sivulla 8	Kuvaus
1	Asennuskehys
2	Tuuletusritilä
3	Luistit
4	Tuuletusritilän talvipeite (lisävaruste)
5	Adapteri kondenssiveden poistoletkulle

- Tiivistä asennuskehys siten, että liitântä on vesitiivis (kuva **11**, sivulla 8).
- Aseta asennuskehys paikalleen ja ruuvaa se tiukasti kiinni (kuva **12**, sivulla 8). Käytä tähän tarkoitukseen kaikkia kiinnitysreikiä.
- Asenna letkuadapteri esitetyllä tavalla (kuva **13** 1, sivulla 9).
- Työnnä tuuletusritilä paikalleen kuvan osoittamalla tavalla (kuva **14**, sivulla 9).

4.5 Kondenssiveden poistoletkun asentaminen



OHJE

- Kondenssivettä voi muodostua jääkaapin sisälle, jos jääkaapin ovi avataan usein tai jos elintarvikkeet sijoitetaan väärin tai liian lämpiminä jääkaappiin.
- Kondenssiveden poistoletku on asennettava siten, että letku kulkee jatkuvasti laskusuunnassa.

Asenna kondenssiveden poistoletku seuraavasti:

- Yhdistä kondenssiveden poistoletku suoraan tuuletusritilässä olevaan adapteriin (kuva **13** 2, sivulla 9).

4.6 Kattotuulettimen asennus

Kohta – kuva 15 , sivulla 9	Kuvaus
1	Kansi
2	Asennuskehys

- Tiivistä asennuskehys siten, että liitäntä on vesitiivis (kuva **16**, sivulla 9).
- Aseta asennuskehys paikalleen ja ruuvaa se tiukasti kiinni (kuva **17**, sivulla 10). Käytä tähän tarkoitukseen kaikkia kiinnitysreikiä.
- Aseta kansi paikalleen ja ruuvaa se kiinni (kuva **18**, sivulla 10).

4.7 Jääkaapin kiinnittäminen



HUOMIO!

Kierrä ruuvit aina tarkoitusta varattujen holkkien läpi. Muutoin vaahdon ympäröimät rakenneosat (kuten johdot) voivat vaurioitua.



OHJE

Kiinnitä sivuseinät tai paikoilleen asetetut listat siten, että ruuvit pysyvät tiukalla kovassakin kuormituksessa (ajon aikana).

- Siirrä jääkaappi lopulliseen sijoituspaikkaansa.
- Kierrä ruuvit (kuva **19** 1, sivulla 10) muoviholkkien läpi jääkaapin sivuseiniin ja edelleen syvennyksen seinään.
- Asenna peitekannet (kuva **19** 2, sivulla 10) ruuvien kantoihin.

5 Jääkaapin liittäminen

5.1 Liittäminen kaasunsyöttöön



VAROITUS! Näiden varoitusten noudattamatta jättäminen voi johtaa kuolemaan tai vakavaan vammaan. Terveysriski

- Ainoastaan ammattilainen saa liittää jääkaapin kaasunsyöttöön, ja voimassa olevia kansallisia määräyksiä ja normeja on noudatettava.
- Letkuliitääntä **ei saa** käyttää.
- Käytä metalliivisteellä varustettua ruuviliitääntä.
- Jääkaapin kaasuliitännän (valkoista) kaasunsuodatinta ei saa irrottaa.
- Käytä vain propaani- tai butaanikaasupulloja (ei maakaasua tai kaupunkikaasua), joissa on tarkastettu paineenalennusventtiili ja sopiva pääkappale. Vertaa tyyppikilven painetietoja propaani- tai butaanikaasupullon paineensäätimen painetietoihin.
- Jääkaappia saa käyttää **vain** tyyppikilvessä mainitulla paineella.
- Jääkaappia saa käyttää **vain** tyyppikilvessä mainitun kaasun avulla.
- Ota huomioon omassa maassasi sallitut paineet. Käytä vain kiinteästi säädettyjä paineensäätimiä, jotka vastaavat kansallisia määräyksiä.



OHJE

Voit käyttää myös valinnaisena varusteena saatavaa Dometicin taipuisaa kaasuputkea, jonka ansiosta asennukseen ei muodostu jännitteitä.

Jääkaappi tulee voida sulkea erikseen kaasujohdossa olevalla sulkulaitteella. Sulku-
laitteen tulee olla helposti tavoitettavissa.

- Yhdistä jääkaappi tiukasti käsin kaasunsyöttöön (kuva **20**, sivulla 10):



VAROITUS! Räjähdyksivaara

On erittäin tärkeää, että noudatetaan seuraavia kiristysmomenteja:

Kohta, kuva 20 , sivulla 10	Kuvaus
1	Ruuvi M4 (Torx TX20), Kiristystiukkuus: 2 Nm
2	Jääkaapin kaasuliitäntä: M14 x 1,5 (d = 8 mm/ISO 8434 (DIN 2353))
3	Liitosmutterilla varustettu kaasuputki (koko 17), Kiristystiukkuus: 25 Nm

- Teetä asianmukaisen asennuksen jälkeen vuoto- ja liekkitesti valtuutetulla ammattihenkilöllä.
Varmista, että sinulle annetaan tarkastustodistus ja luovuta todistus loppukäyttäjän säilytettäväksi.

5.2 Yhdistäminen tasa- ja vaihtovirtalähteeseen



VAROITUS! Näiden varoitusten noudattamatta jättäminen voi johtaa kuolemaan tai vakavaan vammaan. Sähköiskun vaara

Sähköasennuksen ja korjaustyöt saa tehdä ainoastaan ammattilainen, ja voimassa olevia kansallisia määräyksiä ja normeja on noudatettava.



OHJE

- Laitteen pistoketta ei saa sijoittaa suoraan tuuletusritilän taakse, jotta ilmanvaihto ei heikkene eikä laitteen pistoke altistu vesiroiskeille.
- Vaihtovirtaliitäntäjohdon pistoketta ei saa leikata irti.
- Liitäntäjohdot täytyy vetää niin, että ne eivät joudu kosketuksiin kylmäkoneiston/polttimen kuumien osien taikka terävien reunojen kanssa.
- Jos sisäiseen sähköasennukseen tehdään muutoksia tai jos jääkaapin sisäiseen johdotukseen liitetään muita sähkökomponentteja (esim. toisen valmistajan lisätuuletin), mitään takuun ja tuotevastuun perusteella esitettäviä vaatimuksia ei hyväksytä.
- Jääkaapit RM 10.5 ja RMS 10.5 on varustettu CI-väyläliitännällä, minkä ansiosta laitetta voi valvoa ajoneuvon yhteensopivan keskusnäytön avulla.

Jääkaapin kytkentäkaavio (kuva 21, sivulla 11)

Kohta, kuva 21, sivulla 11	Kuvaus
1	Tuuletin 1 (jos valintamoduuli on käytettävissä)
2	Valintamoduuli (valinnainen)
3	Uunin tasavirtaliitäntä (jos valintamoduuli on käytettävissä)
4	Tehomoduulin tasavirtaliitäntä
5	NTC 2: Ulkolämpötila (valinnaisesti)
6	NTC 1: Tuoreruoan lämpötila-anturi
7	Kaasuventtiili
8	Valaisin
9	Magneettikytkin
10	S+ (valinnaisesti)
11	Tasavirtalämpövastus
12	15 A sulake
13	Tasavirtarele lämmityspatruunalle
14	Tulo, kaasu
15	Tasavirran liitäntälohko
16	Elektroniikan tasavirtasyöttöjohto
17	Lämmityselementin tasavirtasyöttöjohto
18	CI-väyläliitäntä
19	Vaihtovirtaliitäntä
20	Vaihtovirtalämpövastus
21	Maa
22	Vaihtovirran suojamaa
23	Sytytuselektrodi
24	Tehonsyöttömoduuli
25	Näyttömoduuli

Tasavirta



VAROITUS! Palovaara

- Lämmityselementtiin vievän syöttöjohtimen täytyy olla suojattu 15 A:n sulakkeella.
- Elektroniikkaan vievän syöttöjohtimen täytyy olla suojattu 2 A:n sulakkeella.



HUOMAUTUS!

Elektroniikan (kuva **21** 16, sivulla 11) ja lämmityselementin (kuva **21** 17, sivulla 11) tasavirtaliitännöiden plus- ja miinussyöttöjohtimia **ei** saa yhdistää keskenään. Virransyöttöön ei saa tällöin myöskään käyttää yhtä yhteistä syöttöjohtinta. Muutoin seurauksena voi olla sähköisiä häiriöitä tai sähköisten rakenneosien vaurioituminen.



Noudata seuraavia johdon poikkipinta-aloja (kuva **22**, sivulla 13):

- Lämmityselementin liitännät:
 - < 6 m (sisällä): $\geq 6 \text{ mm}^2$
 - > 6 m (sisällä): $\geq 10 \text{ mm}^2$
 - Vetoaisan kautta viety johto (vain asuntovaunut): $\geq 2,5 \text{ mm}^2$
- Liitokset elektroniikka: $\geq 0,75 \text{ mm}^2$
- Liitokset D+ ja S+: $\geq 0,75 \text{ mm}^2$
- Asenna tasavirtapistorasias seuraavasti (kuva **21**, sivulla 11):
 - Yhdistä **A** ja **C** akun plusnapaan.
 - Yhdistä **D** ja **F** maahan.
 - Yhdistä **B** D+ -signaaliin.
 Jääkaapin elektroniikka käyttää laturin D+-signaalia käynnissä olevan ajoneuvon käynnissä olevan moottorin tunnistamiseen. Automaattisessa toimintatilassa jääkaappi valitsee edullisimman käytettävissä olevan käyttötavan. Jääkaappi toimii vain tasavirralla, kun ajoneuvon moottori on käynnissä.
 - Yhdistä **E** CI-BUS-väylään.
- Yhdistä **10** signaaliin "S+" (valinnaisesti).
- Suojaa syöttöjohto **A** asentamalla 2 A:n sulake ajoneuvon sähkökeskukseen.
- Suojaa syöttöjohto **C** asentamalla 15 A:n sulake ajoneuvon sähkökeskukseen.
- Vie syöttöjohto **C** syytysvirran ohjaaman releen kautta.
 Näin akku ei purkaudu kokonaan, mikäli moottori jostain syystä sammuu.

Vaihtovirta

- Yhdistä jääkaappi vaihtovirtapistorasiaan laitteen pistoketta käyttäen.

6 Tekniset tiedot

	RM10.5(S)(T)	RMS10.5(S)(T)	RMS10.5X(S)(T)
Liitäntäjännite:	230 V~ /50 Hz 12 V---		
Tilavuus			
Bruttotilavuus:	88 l	78 l	92 l
Kylmälokero:	78,7 l	69,1 l	80,3 l
Pakastelokero:	9,2 l	9,2 l	12,1 l
Nettotilavuus yhteensä:	86 l	76 l	90 l
Ilman pakastelokeroa			
Bruttotilavuus:	93 l	83 l	98 l
Nettotilavuus:	91 l	81 l	96 l
Ottoteho:	135 W (230 V~) 130 W (12 V---)		
Energiankulutus:	2,8 kWh/24 h (230 V~)	2,5 kWh/24 h (230 V~)	3,2 kWh/24 h (230 V~)
Kaasunkulutus:	270 g/24 h		
Kaasun liitäntäpaine:	30 mbar		
Ilmastoluokka:	SN		
Mitat K x L x S:	821 x 523 x 548 mm		821 x 523 x 603 mm
Paino:	28 kg	27,4 kg	29 kg
Tarkastus/sertifikaatti:	 		

Laitteesi ajan tasalla olevan EU-vaatimustenmukaisuusvakuutuksen löydät vastaavalta tuotesivulta osoitteesta dometic.com. Voit myös pyytää asiakirjan suoraan valmistajalta (katso takasivua).

Прочтите данную инструкцию перед монтажом и вводом в эксплуатацию и сохраните ее. В случае передачи продукта передайте инструкцию следующему пользователю.



УКАЗАНИЕ

Указания по работе с устройством приведены в инструкции по эксплуатации.

Оглавление

1	Пояснение к символам	184
2	Указания по технике безопасности	185
3	Аксессуары	187
4	Монтаж холодильника	187
5	Подключение холодильника	194
6	Технические характеристики	199

1 Пояснение к символам



ПРЕДУПРЕЖДЕНИЕ!

Указание по технике безопасности, указывающее на опасную ситуацию, которая может привести к смерти или серьезной травме, если ее не предотвратить.



ОСТОРОЖНО!

Указание по технике безопасности, указывающее на опасную ситуацию, которая может привести к травмам легкой или средней тяжести, если ее не предотвратить.



ВНИМАНИЕ!

Указание на ситуацию, которая может привести к материальному ущербу, если ее не предотвратить.



УКАЗАНИЕ

Дополнительная информация по управлению продуктом.

2 Указания по технике безопасности

Изготовитель не несет никакой ответственности за ущерб в следующих случаях:

- Ошибки монтажа или подключения
- Повреждения продукта из-за механических воздействий и неверного напряжения питания
- Изменения в продукте, выполненные без однозначного разрешения изготовителя
- Использование в целях, отличных от указанных в данной инструкции



ПРЕДУПРЕЖДЕНИЕ! Несоблюдение этих предупреждений может привести к смерти или серьезной травме.

Опасность взрыва

- Запрещается открывать холодильный агрегат. При открывании имеется опасность получения травм из-за высокого давления внутри холодильного агрегата.
- Разрешается эксплуатировать холодильник **только** с давлением, указанным на заводской табличке. Разрешается использовать стационарный регулятор давления, отвечающий требованиям национальных регламентов (в – EN 12864).

Опасность пожара

- После нанесения силиконового герметика очистите место нанесения и удалите остатки герметика. Возможно воспламенение силиконовых волокон при контакте с горячими частями и открытым пламенем.
- Запрещается проверять наличие протечек на холодильнике с помощью открытых источников пламени.
- Используйте только пропан или бутан (**не** природный газ).

Опасность для здоровья

- Запрещается использовать холодильник, если он имеет видимые повреждения.
- Чтобы не допустить возникновения опасных ситуаций, заменить поврежденный кабель переменного тока у изготовителя, в отделе обслуживания клиентов или у специалиста с аналогичной квалификацией.
- Ремонт холодильника разрешается выполнять только специалистам. Если ремонт выполнен неправильно, эксплуатация холодильника может представлять опасность.

Опасность удушья

- Перед утилизацией снимите все двери и оставьте полки в холодильнике, чтобы не допустить закрывания холодильника и удушья.

**ОСТОРОЖНО! Несоблюдение этих предостережений может привести к травме легкой или средней степени тяжести.****Поражение электрическим током**

- Перед вводом в эксплуатацию убедитесь в том, что питающий кабель и вилка сухие.

Опасность заземления

- Не беритесь за петлю.

**ВНИМАНИЕ! Опасность повреждения**

- При транспортировке удерживать холодильник только за корпус. Ни в коем случае не держаться за абсорбирующий агрегат, охлаждающие ребра, газовые трубы, двери или панель управления.
- При транспортировке следите за тем, чтобы не повредить холодильный контур. Хладагент в холодильном контуре легко воспламеняется.

В случае повреждения холодильного контура (запах аммиака):

- При необходимости, отключите холодильник.
- Избегайте открытого огня и искр.
- Хорошо проветрите помещение.
- Не устанавливайте холодильник вблизи открытого огня или других источников тепла (радиаторов отопления, газовых печей и т. п.).
- **Опасность перегрева!**
Следите за тем, чтобы ничто не препятствовало отводу тепловой энергии, образующейся во время работы холодильника. Следите за тем, чтобы холодильник располагался на достаточном расстоянии от стен или других предметов и ничто не препятствовало циркуляции воздуха.
- Сравните значения напряжения, указанные на заводской табличке, с характеристиками имеющегося источника питания.
- Категорически запрещается вскрывать холодильный контур.
- Для подключения прибора к сети переменного тока используйте только прилагаемый кабель питания.
- Используйте только кабель подходящего сечения.
- Не вытаскивайте штекер из розетки за питающий кабель.

- Не допускайте попадания дождя на холодильник.

3 Аксессуары

Описание

Гибкая газовая труба

Уплотнение для устранения сквозняков при монтаже с зазорами 1 – 5 мм (рис. **8 В**, стр. 6)

Уплотнение для устранения сквозняков при монтаже с зазорами 5 – 10 мм (рис. **8 С**, стр. 6)

Зимняя крышка WA 130 на вентиляционную решетку LS 200

Переходной кабель

- WAGO на CEE
- WAGO на UK
- WAGO на JST
- WAGO на MATE-N-LOK

Дополнительный вентиляционный комплект REF-FANKIT

Дополнительный комплект аккумуляторов R10-VP для автономной эксплуатации от источника газоснабжения

Дополнительный комплект для хранения

4 Монтаж холодильника



ОСТОРОЖНО! Опасность для здоровья

Во избежание опасности из-за неустойчивости устройства оно должно быть закреплено в соответствии с инструкциями.



Инструкции по установке фиксатора двери и декоративной панели и дверь можно найти по адресу: «dometic.com/manuals».

Устройство подходит для установки в:

- автофургонах
- жилых прицепах

4.1 Подготовка к монтажу



ВНИМАНИЕ!

- Запрещается устанавливать холодильник с дверцей, обращенной в направлении движения, в задней части жилого автофургона.
- Для обеспечения безопасной эксплуатации используйте только оригинальные вентиляционные решетки Dometic.

При монтаже холодильника соблюдайте следующие требования:

- Убедитесь в прочности и ровности пола.
Для этой цели установите автомобиль на горизонтальной поверхности.
- Убедитесь в том, что холодильник расположен горизонтально.
- Холодильник должен быть установлен так,
 - чтобы имелся доступ для проведения сервисных работ
 - чтобы его можно было снять и установить
 - его можно было вынести из транспортного средства
- Холодильник следует установить в нише для того, чтобы он стоял неподвижно при движении автомобиля. При размещении необходимо учитывать размеры (рис. **1**, стр. 3 и рис. **2**, стр. 4):

	RM10.5(S)(T)	RMS10.5(S)(T)	RMS10.5X(S)(T)
Охладитель	Габаритный размер (в мм)		
Высота (A)	821	821	821
Ширина (B)	523	523	523
Глубина (C) (исключая ручку управления 5 мм)	548	548	603
Проем	Размер (в мм)		
Высота (H)	≥824	≥824	≥824
Ширина (W)	≥525,5	≥525,5	≥525,5
Глубина (D)	≥563	≥563	≥618

- Во внешней стенке должно быть предусмотрено приточное (рис. **3** 1, стр. 4) и вытяжное вентиляционное отверстие (рис. **3** 2, стр. 4) с вентиляционными решетками для эффективного отвода тепла наружу:
 - Приточное вентиляционное отверстие: Установите вентиляционную решетку вровень с основанием монтажной ниши.
 - Вытяжное вентиляционное отверстие: как можно выше над холодильником.
 - Расстояние между приточным и вытяжным вентиляционными отверстиями должно составлять не менее 1050 мм (рис. **4**, стр. 4).
- Над холодильником установите теплоотводный щиток (рис. **4** 1, стр. 4), чтобы тепло не скапливалось в автомобиле.
- Расстояние между холодильником и задней стенкой должно быть не менее 15 мм и не более 25 мм.
- Если расстояние между холодильником и стенкой составляет более 25 мм, производительность холодильника падает и увеличивается расход энергии. Чтобы обеспечить эффективную приточную и вытяжную вентиляцию, уменьшите расстояние между холодильником и задней стенкой ниши (рис. **5**, стр. 5). Используйте для этого обтекатель.
- Если не удастся обеспечить минимальное расстояние между отверстиями для приточной и вытяжной вентиляции, вместо вытяжного отверстия следует использовать накрывной вентилятор.
 - Накрывной вентилятор должен по возможности находиться позади холодильника. Если накрывной вентилятор находится в другом месте, используйте воздушный канал (рис. **6** 1, стр. 5), в противном случае возможно аккумулятивное тепло.
 - Расстояние между приточным вентиляционным отверстием и накрывным вентилятором должно составлять не менее 900 мм (рис. **6**, стр. 5).
 - Если в крыше установлен кондиционер, расстояние между накрывным вентилятором (рис. **7** 1, стр. 6) и отверстием для выпуска воздуха кондиционера (рис. **7** 2, стр. 6) должно составлять не менее 300 мм.
- Нельзя устанавливать холодильник сбоку приточного и вытяжного отверстия, так как это приводит к ухудшению производительности и увеличению расхода энергии.
- Следите за тем, чтобы во время работы прибора части машины (например, открытая дверь или дополнительное снаряжение, такое как держатель для велосипедов) не закрывали отверстия приточной и вытяжной вентиляции.
- При установке защитите холодильник от избыточного теплового излучения, так как в противном случае возможно падение производительности и увеличение энергопотребления.
- Холодильник должен быть установлен в месте, защищенном от сквозняков.

4.2 Воздухонепроницаемый монтаж холодильника



ПРЕДУПРЕЖДЕНИЕ! Опасность возникновения пожара!

- Запрещается использовать для изолирования холодильника, работающего на газе, легко воспламеняемые материалы, как, например, силиконовые герметики, монтажную пену или им подобные.
- Расположите устройство так, чтобы не повредить и не пережать соединительный кабель.
- Не устанавливайте позади устройства и не используйте выносные переходники и удлинители с несколькими розетками.

В жилых прицепах или автодомах холодильники, работающие на газу, должны устанавливаться в месте, защищенном от сквозняков. Это означает, что для сжигания не должен использоваться воздух внутреннего помещения, а продукты горения не должны попадать внутрь жилой зоны.

Между задней стенкой холодильника и внутренней камерой автомобиля должно быть предусмотрено подходящее уплотнение.

Чтобы упростить снятие и установку холодильника и проведение сервисных работ, изготовитель рекомендует использовать гибкое уплотнение.

Выберите один из трех вариантов воздухонепроницаемого монтажа (рис. **8**, стр. 7):

Упорная планка позади холодильника (А)

- Приклейте эластичную уплотняющую кромку (**1**) к упорной планке (**2**) позади холодильника (**3**).
- Придвиньте холодильник с духовкой к упорной планке с приклеенными уплотнительными кромками.
- ✓ Пространство позади холодильника изолировано от внутреннего помещения транспортного средства.

Боковой зазор между холодильником и мебелью — до 5 мм (В)

- Приклейте уплотнительные кромки (см. гл. «Аксессуары» на стр. 187) на боковую часть предмета мебели (**4**).
- Придвиньте холодильник с духовкой к эластичным уплотняющим кромкам на мебели.
- ✓ Пространство позади холодильника изолировано от внутреннего помещения транспортного средства.

Боковой зазор между холодильником и мебелью — от 5 мм до 10 мм (С)

- Приклейте двойные уплотнительные кромки (см. гл. «Аксессуары» на стр. 187) на боковую часть предмета мебели (4).
- Придвиньте холодильник с духовкой к двойным эластичным уплотняющим кромкам на мебели.
- ✓ Пространство позади холодильника изолировано от внутреннего помещения транспортного средства.

4.3 Подготовка отверстий для приточной и вытяжной вентиляции**УКАЗАНИЕ**

- Варианты приточной и вытяжной вентиляции, которые отличаются от описываемых, должны быть одобрены изготовителем.
- Чтобы обеспечить максимальную холодопроизводительность в условиях высокой окружающей температуры, необходимо правильно расположить отверстия для приточной и вытяжной вентиляции.

- Сделайте одно приточное и одно вытяжное вентиляционное отверстие в наружной стене размером 451 мм x156 мм.

При этом соблюдайте указания, приведенные в гл. «Подготовка к монтажу» на стр. 188.

Если вентиляционную решетку приточного отверстия невозможно установить вровень с основанием монтажной ниши, то сделайте приточное отверстие в полу. Утечка газа может производиться в направлении вниз.

- Сделайте в полу приточное вентиляционное отверстие размером не менее \varnothing 40 мм, расположив его за холодильником рядом с газовой горелкой (рис. 9 1, стр. 8).
- Закройте конец отверстия дефлектором, чтобы во время движения в отверстие не попадала грязь(рис. 9 2, стр. 8).

Если вместо вытяжного отверстия используется накрывной вентилятор:

- сделайте отверстие в крыше. Размеры отверстия указаны в руководстве, прилагаемом к накрывному вентилятору.
При этом соблюдайте указания, приведенные в гл. «Подготовка к монтажу» на стр. 188.

4.4 Установка вентиляционной решетки



УКАЗАНИЕ

Для обеспечения безопасной эксплуатации используйте только оригинальные вентиляционные решетки Dometic.

Поз. на рис. 10, стр. 8	Описание
1	Монтажная рама
2	Вентиляционная решетка
3	Задвижки
4	Зимняя крышка на вентиляционную решетку (принадлежность)
5	Переходник для шланга слива конденсата

- Уплотните монтажную раму, чтобы сделать соединение водонепроницаемым (рис. 11, стр. 8).
- Установите монтажную раму и надежно закрепите ее винтами (рис. 12, стр. 8). Для этого используйте все крепежные отверстия.
- Установите шланговый переходник, как показано на рисунке (рис. 13, стр. 9).
- Вставьте вентиляционную решетку, как показано на схеме (рис. 14, стр. 9).

4.5 Монтаж линии слива конденсата



УКАЗАНИЕ

- Конденсат может образовываться внутри холодильника из-за частого открывания дверцы, неправильного хранения продуктов или наличия внутри холодильника теплых продуктов.
- Для слива конденсата необходимо обеспечить постоянный уклон.

Установите линию слива конденсата следующим образом:

- Присоедините шланг для слива конденсата прямо к переходнику на вентиляционной решетке (рис. **13** 2, стр. 9).

4.6 Монтаж накрышного вентилятора

Поз. на рис. 15 , стр. 9	Описание
1	Крышка
2	Монтажная рама

- Уплотните монтажную раму, чтобы сделать соединение водонепроницаемым (рис. **16**, стр. 9).
- Установите монтажную раму и надежно закрепите ее винтами (рис. **17**, стр. 10). Для этого используйте все крепежные отверстия.
- Наденьте крышку и закрепите ее винтами (рис. **18**, стр. 10).

4.7 Крепление холодильника



ОСТОРОЖНО!

Чтобы не повредить элементы, покрытые пеной (например, кабели или трубы), используйте только прилагаемые винты.



УКАЗАНИЕ

Закрепите боковые стенки или планки так, чтобы резьбовые соединения не ослабли при повышенных нагрузках (например, во время движения транспортного средства).

- Перенесите холодильник на место монтажа.

- Ввинтите винты (рис. 19 1, стр. 10) в боковые стенки, а потом в стенки ниши холодильника через пластиковую оболочку.
- Закройте головки винтов заглушками (рис. 19 2, стр. 10).

5 Подключение холодильника

5.1 Подключение к системе газоснабжения



ПРЕДУПРЕЖДЕНИЕ! Несоблюдение этих предупреждений может привести к смерти или серьезной травме. Опасность для здоровья

- Холодильник должен быть подключен к системе газоснабжения специалистом согласно действующим в стране применения предписаниям и нормам.
- **Запрещается** использовать для подключения шланг.
- Используйте резьбовое соединение с металлическим уплотнением.
- Запрещается снимать газовый фильтр (белого цвета) в линии газоснабжения холодильника.
- Используйте только баллоны с пропаном или бутаном (не природный и не бытовой газ) с проверенным редукционным вентилем и подходящим наконечником. Сравните параметры давления на заводской табличке с параметрами давления на регуляторе баллона с пропаном или бутаном.
- Разрешается эксплуатировать холодильник **только** с давлением, указанным на заводской табличке.
- Разрешается эксплуатировать холодильник **только** с типом газа, указанным на заводской табличке.
- Учитывайте нормы на давление, действующие в вашей стране. Разрешается использовать стационарный регулятор давления, отвечающий требованиям национальных регламентов.



УКАЗАНИЕ

Можно использовать гибкую нерастяжимую газовую арматуру (опция).

Установите запорное устройство, отсоединяющее холодильник от газопровода. Запорное устройство должно быть установлено в доступном месте.

- ▶ Подсоедините холодильник к системе газоснабжения и убедитесь, что штуцер подсоединен надежно и на нем отсутствуют нагрузки (рис. 20, стр. 10).



ПРЕДУПРЕЖДЕНИЕ! Опасность взрыва

Очень важно соблюдать следующие моменты затяжки:

Позиция на рис. 20, стр. 10	Описание
1	Винт M4 (Torx TX20), Момент затяжки: 2 Нм
2	Линия подвода газа к холодильнику: M14 x 1,5 (d = 8 мм/ISO 8434 (DIN 2353))
3	Газовая труба с фланцевым соединением (разм. 17), Момент затяжки: 25 Нм

- ▶ После профессионально выполненного монтажа обратитесь к авторизованным службам, чтобы проверить правильность установки и эффективность изоляции, а также выполнить испытания на воспламеняемость.
Результаты проверки должны быть отражены в протоколе проверки, который должен храниться у лица, эксплуатирующего оборудование.

5.2 Подключение к системе постоянного и переменного тока



ПРЕДУПРЕЖДЕНИЕ! Несоблюдение этих предупреждений может привести к смерти или серьезной травме. Опасность поражения электрическим током

Подключение к системам электроснабжения, а также ремонтные работы должны выполняться специалистом с соблюдением действующих в стране применения норм и правил.



УКАЗАНИЕ

- Сетевая вилка устройства не должна располагаться сразу за решеткой вентиляции, так как в этом месте она будет препятствовать вентиляции и может попадать под брызги воды.
- Запрещается отрезать вилку кабеля переменного тока.
- Проложите кабель таким образом, чтобы он не соприкасался с горячими элементами агрегата/горелки или с острыми краями предметов.
- Изменение внутренней электрической цепи или подсоединение других электрических компонентов (например, внешнего вентилятора) к внутренним системам холодильника является основанием для аннулирования гарантийных обязательств поставщика.
- Холодильники RM10.5 и RMS10.5 имеют интерфейс CI-Bus и могут управляться через совместимый центральный дисплей автомобиля.

Принципиальная схема холодильника (рис. 21, стр. 11)

Позиция на рис. 21, стр. 11	Описание
1	Вентилятор 1 (если установлен дополнительный модуль)
2	Дополнительный модуль (опция)
3	Источник постоянного тока для печи (если установлен дополнительный модуль)
4	Источник постоянного тока модуля питания
5	NTC 2: Наружная температура (опция)
6	NTC 1: Датчик температуры в отделении для свежих продуктов
7	Газовый вентиль
8	Освещение
9	Герконовый выключатель
10	S+ (опция)
11	Нагревательный элемент постоянного тока
12	Предохранитель 15 А
13	Реле постоянного тока для нагревательного элемента
14	Вход для газа

Позиция на рис. 21, стр. 11	Описание
15	Соединительный блок постоянного тока
16	Кабель постоянного тока для питания электронного оборудования
17	Кабель постоянного тока для питания нагревательного элемента
18	Разъем CI-Bus
19	Источник переменного тока
20	Нагревательный элемент переменного тока
21	Масса
22	Защитное заземление переменного тока
23	Зажигающий электрод
24	Модуль питания
25	Модуль индикации

Постоянный ток



ПРЕДУПРЕЖДЕНИЕ! Опасность возникновения пожара

- Линия электропитания нагревающего элемента должна быть защищена предохранителем 15 А.
- Линия электропитания электронного оборудования должна быть защищена предохранителем 2 А.



ВНИМАНИЕ!

Запрещается объединять в один провод положительный и отрицательный проводник линии постоянного тока, питающей электронное оборудование (рис. 21 16, стр. 11) и нагревательный элемент (рис. 21 17, стр. 11). Это может привести к неправильной работе устройств или повреждению электрических частей.

Используйте кабель требуемого сечения (рис. 22, стр. 13):

- Подключения нагревательного элемента:
 - <6 м (в салоне): $\geq 6 \text{ мм}^2$
 - >6 м (в салоне): $\geq 10 \text{ мм}^2$
 - Кабель, проведенный через сцепное устройство (только в жилых прицепах): $\geq 2,5 \text{ мм}^2$
- Подключения электронных узлов: $\geq 0,75 \text{ мм}^2$

- Подключения D+ и S+: $\geq 0,75 \text{ мм}^2$
- Подсоедините к розетке постоянного тока, как показано на схеме (рис. **21**, стр. 11):
 - Подсоедините **A** и **C** к положительному полюсу аккумулятора.
 - Подсоедините **D** и **F** к земле.
 - Подсоедините **B** к сигналу D+.
Электронное оборудование холодильника получает информацию о состоянии двигателя через сигнал D+ генератора. Холодильник в автоматическом режиме выбирает оптимальный режим работы. При включенном двигателе холодильник может работать только в режиме постоянного тока.
 - Подсоедините **E** к CI-BUS.
- Подсоедините **10** к сигналу S+ (опция).
- Защитите линию питания **A** предохранителем 2 А (в электрораспределительной коробке транспортного средства).
- Защитите линию питания **C** предохранителем 15 А (в электрораспределительной коробке транспортного средства).
- Включите линию питания **C** через реле контроля зажигания.
Это не допустит полного разряда аккумулятора в случае внезапного отключения двигателя.

Переменный ток

- Присоедините холодильник к розетке переменного тока, используя сетевую вилку.

6 Технические характеристики

	RM10.5(S)(T)	RMS10.5(S)(T)	RMS10.5X(S)(T)
Подводимое напряжение:	230 В~ /50 Гц 12 В---		
Объем			
Полный объем:	88 л	78 л	92 л
Холодильная камера:	78,7 л	69,1 л	80,3 л
Морозильная камера:	9,2 л	9,2 л	12,1 л
Общий полезный объем:	86 л	76 л	90 л
Без морозильной камеры			
Полный объем:	93 л	83 л	98 л
Полезный объем:	91 л	81 л	96 л
Потребляемая мощность:	135 Вт (230 В~) 130 Вт (12 В---		
Потребление энергии:	2,8 кВт/24 ч (230 В~)	2,5 кВт/24 ч (230 В~)	3,2 кВт/24 ч (230 В~)
Потребление газа:	270 г/24 ч		
Давление подвода газа:	30 мбар		
Климатический класс:	SN		
Размеры В x Ш x Г:	821 x 523 x 548 мм		821 x 523 x 603 мм
Вес:	28 кг	27,4 кг	29 кг
Испытания/сертификат:	 		

Копию действующей декларации соответствия стандартам ЕС на устройство можно получить на странице соответствующего изделия на сайте dometic.com или у производителя (см. информацию на обороте).

Przed instalacją i uruchomieniem urządzenia należy uważnie przeczytać niniejszą instrukcję. Instrukcję należy zachować. W razie przekazywania urządzenia należy ją udostępnić kolejnemu nabywcy.



WSKAZÓWKA

Szczegółowe informacje dotyczące obsługi znaleźć można w instrukcji obsługi.

Spis treści

1	Objaśnienie symboli	200
2	Wskazówki bezpieczeństwa	201
3	Osprzęt	203
4	Montaż lodówki	203
5	Podłączanie lodówki	210
6	Dane techniczne	215

1 Objąśnienie symboli



OSTRZEŻENIE!

Wskazówka bezpieczeństwa informująca o niebezpiecznej sytuacji, która – jeśli się jej nie uniknie – może prowadzić do śmierci lub ciężkich obrażeń.



OSTROŻNIE!

Wskazówka bezpieczeństwa informująca o niebezpiecznej sytuacji, która – jeśli się jej nie uniknie – może prowadzić do lekkich lub średnich obrażeń.



UWAGA!

Wskazówka informująca o sytuacji, która – jeśli się jej nie uniknie – może prowadzić do powstania szkód materialnych.



WSKAZÓWKA

Informacje uzupełniające dotyczące obsługi produktu.

2 Wskazówki bezpieczeństwa

Producent nie odpowiada za szkody spowodowane:

- błędami powstałymi w trakcie montażu lub podłączania
- uszkodzeniami produktu wywołanymi czynnikami mechanicznymi i niewłaściwym napięciem zasilania
- zmianami dokonanyymi w produkcie bez wyraźnej zgody producenta
- użytkowaniem w celach innych niż opisane w niniejszej instrukcji



OSTRZEŻENIE! Nieprzestrzeganie tych ostrzeżeń może prowadzić do śmierci lub ciężkich obrażeń.

Ryzyko wybuchu

- Otwieranie agregatu absorpcyjnego jest zabronione. Ponieważ znajduje się on pod wysokim ciśnieniem, w przypadku otwarcia może spowodować obrażenia.
- Lodówka może być zasilana **wyłącznie** ciśnieniem podanym na tabliczce znamionowej. Stosować tylko ustawione na stałe regulatory ciśnienia, zgodne z przepisami krajowymi (w Europie EN 12864).

Niebezpieczeństwo pożaru

- Używając np. silikonowej masy uszczelniającej, zwracać uwagę na czystą obróbkę, bez pozostawiania resztek masy. w przypadku kontaktu włókien silikonowych z gorącymi częściami lub otwartym ogniem może powstać pożar.
- Nigdy nie sprawdzać szczelności lodówki, korzystając z otwartego ognia.
- Korzystać tylko z propanu lub butanu (**nie** korzystać z gazu ziemnego).

Zagrożenie zdrowia

- Nie wolno uruchamiać lodówki, jeśli posiada ona widoczne uszkodzenia.
- Jeśli kabel przyłączeniowy tej lodówki jest uszkodzony, w celu uniknięcia zagrożeń należy go wymienić u producenta, w dziale obsługi klienta lub u osoby posiadającej podobne uprawnienia.
- Napraw lodówki mogą dokonywać tylko odpowiednio wykwalifikowane osoby. Niefachowe naprawy mogą spowodować poważne niebezpieczeństwo.

Ryzyko uduszenia

- Utylizując starą lodówkę, zdemontować wszystkie drzwi lodówki i pozostawić półki w lodówce w celu zapobieżenia przypadkowemu zamknięciu się i uduszeniu w lodówce.



OSTROŻNIE! Nieprzestrzeganie tych uwag może prowadzić do lekkich lub nieznacznych obrażeń.

Porażenie prądem elektrycznym

- Przed użyciem należy sprawdzić, czy przewód i wtyczka są suche.

Niebezpieczeństwo zmiążdżenia

- Nie dotykać zawiasu.



UWAGA! Niebezpieczeństwo uszkodzenia

- Podczas transportu mocować lodówkę tylko za korpus. Nigdy nie mocować lodówki za agregat absorpcyjny, żebra chłodnicze, przewody gazu, drzwi lub panel obsługi.
- Podczas transportowania uważać, aby nie uszkodzić obiegu chłodzenia. Czynniki chłodzący w obiegu chłodzenia jest łatwopalny. W razie uszkodzenia obiegu chłodzenia (zapach amoniaku):
 - Ewentualnie wyłączyć lodówkę.
 - Unikać otwartego ognia i iskier.
 - Dobrze wietrzyć pomieszczenie.
- Nie montować lodówki w pobliżu otwartego źródła ognia lub innych źródeł ciepła (ogrzewanie, piec gazowy itp.).
- **Niebezpieczeństwo przegrzania!**

Należy pamiętać, że ciepło powstające przy eksploatacji musi być odpowiednio odprowadzane. Dbać o odpowiednią odległość lodówki od ścian lub przedmiotów, zapewniając wystarczającą cyrkulację powietrza.
- Należy porównać dane dotyczące napięcia na tabliczce znamionowej z dostępnym źródłem zasilania.
- W żadnym wypadku nie otwierać obiegu chłodzenia.
- Lodówkę należy podłączać do sieci prądu przemiennego wyłącznie za pomocą odpowiedniego przewodu przyłączeniowego.
- Stosować tylko przewody o odpowiednim przekroju.
- Wtyczki nie wolno nigdy wyciągać z gniazdka, ciągnąc za przewód przyłączeniowy.
- Nie można wystawiać lodówki na deszcz.

3 Osprzęt

Opis

Elastyczna rura karbowana do gazu

Uszczelnienie przestrzeni zabudowy do szczelin 1 – 5 mm (rys. **8 B**, strona 6)

Uszczelnienie przestrzeni zabudowy do szczelin 5 – 10 mm (rys. **8 C**, strona 6)

Pokrywa zimowa WA 130 kratki wentylacyjnej LS 200

Kabel adaptera

- WAGO do CEE
- WAGO do UK
- WAGO do JST
- WAGO do MATE-N-LOK

Opcjonalny zestaw wentylatorów REF-FANKIT

Opcjonalny pakiet akumulatorów R10-BP dla niezależnego trybu zasilania gazem

Opcjonalny zestaw do przechowywania

4 Montaż lodówki



OSTROŻNIE! Zagrożenie zdrowia

Aby uniknąć niebezpieczeństwa spowodowanego niestabilnym ustawieniem urządzenia, należy je zamocować zgodnie z instrukcją.



Instrukcja zmiany ogranicznika drzwi i panelu dekoracyjnego znajduje się na stronie internetowej: „dometic.com/manuals”.

Urządzenie nadaje się do instalacji w:

- przyczepach kempingowych
- pojazdach kempingowych

4.1 Przygotowanie do montażu



UWAGA!

- Lodówki nie można montować z tyłu przyczep kempingowych z drzwiami otwierającymi się w kierunku jazdy.
- W celu zapewnienia bezpiecznej pracy urządzenia należy używać wyłącznie oryginalnych krerek wentylacyjnych Dometic.

Podczas montażu lodówki należy uwzględnić następujące uwagi:

- Podłoga musi być wystarczająco wytrzymała i wypoziomowana. W związku z tym pojazd należy parkować na powierzchni poziomej.
- Lodówka musi być wypoziomowana.
- Lodówka musi być zamontowana w taki sposób, aby
 - była łatwo dostępna dla prac serwisowych
 - była łatwa do montażu i demontażu
 - można ją było łatwo usunąć z pojazdu
- Lodówka musi zostać zamontowana we wnęce, aby była unieruchomiona podczas poruszania się pojazdu. Uwzględnić następujące wymiary (rys. **1**, strona 3 i rys. **2**, strona 4):

	RM10.5(S)(T)	RMS10.5(S)(T)	RMS10.5X(S)(T)
Lodówka	Ogólne wymiary w mm		
Wysokość (A)	821	821	821
Szerokość (B)	523	523	523
Głębokość (C) (plus pokrętko do obsługi: 5 mm)	548	548	603
Wnęka	Wymiary w mm		
Wysokość (H)	≥824	≥824	≥824
Szerokość (W)	≥525,5	≥525,5	≥525,5
Głębokość (D)	≥563	≥563	≥618

- W ścianie zewnętrznej musi znajdować się otwór wlotowy powietrza (rys. **3** 1, strona 4) i otwór wylotowy powietrza (rys. **3** 2, strona 4) z kratką wentylacyjną do odprowadzania na zewnątrz powstającego ciepła:
 - Otwór wlotowy powietrza: Kratkę wentylacyjną należy zainstalować w miarę możliwości przy samej podłodze wnęki montażowej.
 - Otwór wylotowy powietrza: możliwie jak najwyżej nad lodówką.
 - Odległość między otworem wlotowym i wylotowym musi wynosić co najmniej 1050 mm (rys. **4**, strona 4).
- Nad lodówką należy zamontować płytę odprowadzającą ciepło (rys. **4** 1, strona 4), aby nie dochodziło do gromadzenia się ciepła wewnątrz pojazdu.
- Odległość między lodówką i tylną ścianą musi wynosić co najmniej 15 mm, ale nie więcej niż 25 mm.
- Odległość pomiędzy lodówką i tylną ścianą przekraczająca 25 mm powoduje obniżenie wydajności chłodzenia oraz większe zużycie energii przez lodówkę. W razie potrzeby należy odpowiednio zmniejszyć pustą przestrzeń za lodówką w celu zapewnienia wystarczającego doprowadzania i odprowadzania powietrza (rys. **5**, strona 5). W tym celu należy wykorzystać np. płytę wentylacyjną.
- Jeśli zachowanie minimalnej odległości pomiędzy otworem wlotowym i wylotowym powietrza nie jest możliwe, zamiast otworu wlotowego należy zamontować wywietrznik dachowy.
 - Wywietrznik dachowy należy w miarę możliwości umieścić bezpośrednio nad tylną ścianą lodówki. Jeśli wywietrznika dachowego nie da się umieścić w tej pozycji, należy zastosować kanał wentylacyjny (rys. **6** 1, strona 5), aby zapobiec gromadzeniu się ciepła.
 - Odległość między otworem wlotowym powietrza a wywietrznikiem dachowym musi wynosić co najmniej 900 mm (rys. **6**, strona 5).
 - Jeśli zamontowany jest klimatyzator dachowy, odległość między wywietrznikiem dachowym (rys. **7** 1, strona 6) a wylotem powietrza klimatyzatora dachowego (rys. **7** 2, strona 6) musi wynosić co najmniej 300 mm.
- Lodówki nie można montować obok otworu wlotowego i wylotowego powietrza, ponieważ prowadzi to do obniżenia wydajności chłodzenia i zwiększonego zużycia energii przez lodówkę.
- Otwór wlotowy i wylotowy powietrza podczas pracy lodówki nie może być zasłaniany przez części pojazdu (np. otwarte drzwi lub zamontowane akcesoria, takie jak bagażnik na rowery).
- Lodówkę należy zamontować w sposób chroniący ją przed nadmiernymi temperaturami, ponieważ prowadzą one do obniżenia wydajności chłodzenia i zwiększonego zużycia energii przez lodówkę.
- Lodówkę należy zamontować w uszczelnionej przestrzeni.

4.2 Montaż lodówki w uszczelnionej przestrzeni



OSTRZEŻENIE! Niebezpieczeństwo pożaru!

- Do uszczelniania przestrzeni zabudowy lodówki nie należy używać łatwopalnych materiałów, takich jak silikonowe masy uszczelniające, pianka montażowa itp.
- Ustawić urządzenie w taki sposób, aby żaden przewód połączeniowy nie został uszkodzony lub przyciśnięty.
- Nie należy używać wielu gniazdek ani przenośnych zasilaczy za urządzeniem.

W przyczepach i pojazdach kempingowych lodówki zasilane gazem muszą być montowane w uszczelnionej przestrzeni. W ten sposób powietrze do spalania nie jest pobierane z wnętrza pojazdu, a wyziewy spalin nie przedostają się bezpośrednio do strefy mieszkalnej.

Pomiędzy tylną ścianą lodówki a wnętrzem pojazdu należy zastosować odpowiednie uszczelnienie.

Producent zaleca zastosowanie elastycznego uszczelnienia, aby ułatwić demontaż i montaż w celu konserwacji.

Należy wybrać jeden z trzech wariantów montażu w uszczelnionej przestrzeni (rys. **8**, strona 7):

Listwa ogranicznikowa za lodówką (A)

- Przykleić elastyczne wargi uszczelniające (**1**) do listwy ogranicznikowej (**2**) za lodówką (**3**).
- Dosunąć lodówko-kuchenkę do listwy ogranicznikowej z elastycznymi wargami uszczelniającymi.
- ✓ Przestrzeń za lodówką jest uszczelniona do wnętrza pojazdu.

Boczna odległość do 5 mm między lodówką a meblami (B)

- Przykleić wargi uszczelniające (por. rozdz. „Osprzęt” na stronie 203) z boku mebli (**4**).
- Docisnąć lodówko-kuchenkę do elastycznych warg uszczelniających na meblach.
- ✓ Przestrzeń za lodówką jest uszczelniona do wnętrza pojazdu.

Boczna odległość od 5 mm do 10 mm między lodówką a meblami (C)

- ▶ Przykleić podwójne wargi uszczelniające (por. rozdz. „Osprzęt” na stronie 203) z boku mebli (4).
- ▶ Docisnąć lodówko-kuchenkę do podwójnych warg uszczelniających na meblach.
- ✓ Przerzeń za lodówką jest uszczelniona do wnętrza pojazdu.

4.3 Wykonywanie otworów wlotowych i wylotowych powietrza**WSKAZÓWKA**

- Wszelkie odstępstwa od przedstawionych tutaj wersji otworów wlotowych i wylotowych wymagają zatwierdzenia przez producenta.
- W przypadku wysokich temperatur otoczenia pełna wydajność chłodzenia lodówki zapewniona jest tylko pod warunkiem optymalnej wentylacji.

- ▶ W ścianie zewnętrznej należy wykonać otwór napowietrzający i odpowietrzający o wielkości
451 mm x 156 mm.
Przestrzegać następujących wskazówek, patrz rozdz. „Przygotowanie do montażu” na stronie 204.

Jeśli kratki wentylacyjnej otworu wlotowego powietrza nie można umieścić przy samej podłodze wnęki montażowej, otwór wlotowy powietrza należy wykonać w podłodze pojazdu. Umożliwi to odpływanie w dół ewentualnie wyciekającego gazu.

- ▶ Za lodówką, obok palnika gazowego, należy wykonać otwór wentylacyjny w podłodze o średnicy co najmniej 40 mm (rys. **9** 1, strona 8).
- ▶ Po drugiej stronie otworu należy zamontować deflektor, aby podczas jazdy do wnętrza pojazdu nie przedostawały się błoto i zanieczyszczenia (rys. **9** 2, strona 8).

Jeśli zamiast otworu wylotowego powietrza musi być wykorzystywany wywietrznik dachowy:

- Wykonać wycięcie w dachu. Wymagane wymiary otworu można znaleźć się w instrukcji obsługi wywietrznika dachowego. Należy przy tym przestrzegać odpowiednich wskazówek, patrz rozdz. „Przygotowanie do montażu” na stronie 204.

4.4 Montaż kratki wentylacyjnej



WSKAZÓWKA

W celu zapewnienia bezpiecznej pracy urządzenia należy używać wyłącznie oryginalnych kratek wentylacyjnych Dometic.

Poz. na rys. 10 , strona 8	Opis
1	Rama montażowa
2	Kratka wentylacyjna
3	Prowadnik
4	Zimowa pokrywa kratki wentylacyjnej (akcesoria)
5	Adapter do węża odpływu skroplin

- Ramę montażową należy uszczelnić, aby zapewnić wodoszczelne połączenie (rys. **11**, strona 8).
- Wstawić ramę montażową i przykręcić mocno śrubami (rys. **12**, strona 8). W tym celu należy wykorzystać wszystkie otwory montażowe.
- Zamontować adapter węża w zilustrowany sposób (rys. **13** 1, strona 9).
- Wsunąć kratkę wentylacyjną w sposób zilustrowany na (rys. **14**, strona 9).

4.5 Montaż odpływu skroplin



WSKAZÓWKA

- W wyniku częstego otwierania drzwi, nieprawidłowego przechowywania żywności lub umieszczenia w lodówce zbyt ciepłych potraw mogą powstawać w niej skropliny.
- Przewód odpływowy skroplin musi być na całej długości nachylony.

Odptyw skroplin należy zamontować w następujący sposób:

- ▶ Przymocować wąż odpływu skroplin bezpośrednio do adaptera na kratce wentylacyjnej (rys. 13 2, strona 9).

4.6 Montaż wywietrznika dachowego

Poz. na rys. 15, strona 9	Opis
1	Pokrywa
2	Rama montażowa

- ▶ Ramę montażową należy uszczelnić, aby zapewnić wodoszczelne połączenie (rys. 16, strona 9).
- ▶ Wstawić ramę montażową i przykręcić mocno śrubami (rys. 17, strona 10). W tym celu należy wykorzystać wszystkie otwory montażowe.
- ▶ Nałożyć pokrywę i przykręcić ją śrubami (rys. 18, strona 10).

4.7 Mocowanie lodówki



OSTROŻNIE!

Śruby należy wkręcać wyłącznie w przeznaczone do tego celu otwory w lodówce, aby uniknąć uszkodzenia elementów ukrytych w pianie izolacyjnej, takich jak przewody itp.



WSKAZÓWKA

Przykręcić boczne ściany lub przymocowane listwy w taki sposób, żeby śruby były mocno dokręcone również przy zwiększonych obciążeniach (podczas jazdy).

- ▶ Umieścić lodówkę w ostatecznej pozycji.
- ▶ Wkręcić śruby (rys. 19 1, strona 10) w plastikowe tulejki w ścianach bocznych lodówki oraz dalej w ściany wnęki.
- ▶ Założyć zaślepki (rys. 19 2, strona 10) na łby śrub.

5 Podłączanie lodówki

5.1 Podłączanie do zasilania gazem



OSTRZEŻENIE! Nieprzestrzeganie tych ostrzeżeń może prowadzić do śmierci lub ciężkich obrażeń. Zagrożenie zdrowia

- Przyłącze gazu może być wykonywane tylko przez specjalistę zgodnie z obowiązującymi krajowymi przepisami i normami.
- Przyłączanie za pomocą węża jest **niedopuszczalne**.
- Należy zastosować złącze gwintowane z uszczelnieniem metalowym.
- Nie wolno usuwać (białego) filtra gazu w przyłączy gazu lodówki.
- Należy korzystać wyłącznie z butli z propanem lub butanem (nie stosować gazu ziemnego ani miejskiego) z atestowanym reduktorem ciśnienia i odpowiednią głowicą. Należy porównać wartość ciśnienia podaną na tabliczce znamionowej z wartością na reduktorze butli z propanem lub butanem.
- Lodówka może być zasilana **wyłącznie** gazem pod ciśnieniem podanym na tabliczce znamionowej.
- Lodówka może być zasilana **wyłącznie** takim typem gazu, który podany jest na tabliczce znamionowej.
- Przestrzegać dopuszczalnych w danym kraju ciśnień. Stosować tylko ustawione na stałe regulatory ciśnienia, zgodne z krajowymi przepisami.



WSKAZÓWKA

Opcjonalnie można użyć elastycznej rury przyłączeniowej gazu Dometic, aby utrzymać instalację bez naprężeń.

Należy zapewnić osobną możliwość odłączania lodówki od gazu za pomocą zaworu odcinającego. Zawór odcinający musi być łatwo dostępny.

- ▶ Podłączyć lodówkę do zasilania gazem i ręcznie dokręcić przyłącze (rys. 20, strona 10):



OSTRZEŻENIE! Ryzyko wybuchu

Należy bezwzględnie przestrzegać następujących momentów dokręcania:

Pozycja na rys. 20, strona 10	Opis
1	Śruba M4 (Torx TX20), Moment dokręcania: 2 Nm
2	Przyłącze gazu lodówki: M14 x 1,5 (d = 8 mm/ISO 8434 (DIN 2353))
3	Rura do gazu z przyłączem z pierścieniem zacinającym (rozmiar 17), Moment dokręcania: 25 Nm

- ▶ Po prawidłowej instalacji należy zlecić autoryzowanemu specjalście badanie szczelności oraz przeprowadzenie próby płomieniowej. Upewnić się, że otrzymano zaświadczenie badania i przekazać je użytkownikowi końcowemu do przechowania.

5.2 Przyłączanie do zasilania prądem przemiennym lub stałym



OSTRZEŻENIE! Nieprzestrzeganie tych ostrzeżeń może prowadzić do śmierci lub ciężkich obrażeń. Ryzyko porażenia prądem

Instalacja elektryczna oraz naprawy mogą być wykonywane wyłącznie przez specjalistę zgodnie z obowiązującymi krajowymi przepisami i normami.



WSKAZÓWKA

- Wtyczki urządzenia nie można umieszczać bezpośrednio za kratką wentylacyjną. Mogłoby to bowiem utrudniać cyrkulację powietrza oraz narażać wtyczkę urządzenia na bryzgi wody.
- Nie wolno odcinać wtyczki urządzenia od kabla przyłączeniowego prądu przemiennego.
- Kabel przyłączeniowy należy poprowadzić w taki sposób, aby nie stykał się on z gorącymi częściami agregatu/palnika lub ostrymi krawędziami.
- Modyfikacje wewnętrznej instalacji elektrycznej lub przyłączanie do wewnętrznego okablowania lodówki innych urządzeń elektrycznych (np. dodatkowych wentylatorów innych producentów) prowadzi do utraty wszelkich uprawnień z tytułu gwarancji i odpowiedzialności za produkt.
- Lodówki RM10.5 i RMS10.5 są wyposażone w złącze magistrali CI i można nimi sterować za pośrednictwem kompatybilnego centralnego wyświetlacza pojazdu.

Schemat ideowy lodówki (rys. 21, strona 11)

Pozycja na rys. 21, strona 11	Opis
1	Wentylator 1 (jeśli moduł opcji jest dostępny)
2	Moduł opcji (opcjonalny)
3	Zasilanie prądem stałym kuchenki (jeśli obecny jest moduł opcji)
4	Moduł zasilania prądem stałym
5	NTC 2: Temperatura zewnętrzna (opcjonalnie)
6	NTC 1: Czujnik temperatury w komorze na świeżą żywność
7	Zawór gazu
8	Oświetlenie
9	Kontaktron
10	S+ (opcja)
11	Element grzewczy zasilany prądem stałym
12	Bezpiecznik 15 A
13	Przełącznik prądu stałego dla elementu grzejnego

Pozycja na rys. 21 , strona 11	Opis
14	Wejście gaz
15	Blok przyłączeniowy prądu stałego
16	Kabel zasilający prądu stałego – elektronika
17	Kabel zasilający prądu stałego – element grzejny
18	Przyłącze magistrali CI
19	Przyłącze prądu przemiennego
20	Element grzewczy zasilany prądem przemiennym
21	Masa
22	Przewód ochronny sieci prądu przemiennego
23	Elektroda zapłonowa
24	Moduł mocy
25	Moduł wyświetlacza

Prąd stały



OSTRZEŻENIE! Ryzyko pożaru

- Przewód zasilający elementu grzewczego musi być wyposażony w bezpiecznik 15 A.
- Przewód zasilający elektroniki musi być wyposażony w bezpiecznik 2 A.



UWAGA!

Odpowiednich przewodów dodatkich i ujemnych przyłączy prądu stałego dla elektroniki (rys. **21** 16, strona 11) i elementu grzewczego (rys. **21** 17, strona 11) **nie** można łączyć ze sobą i wykonywać na jednym przewodzie. W przeciwnym wypadku może dojść do powstania zakłóceń elektrycznych lub uszkodzenia części elektrycznych.

Należy stosować następujące przekroje przewodów (rys. **22**, strona 13):



- Przyłącza elementu grzejnego:
 - <6 m (wewnątrz): $\geq 6 \text{ mm}^2$
 - >6 m (wewnątrz): $\geq 10 \text{ mm}^2$
 - Kabel zasilany przez dyszel (tylko przyczepy kempingowe): $\geq 2,5 \text{ mm}^2$

- Przyłącza elektroniki: $\geq 0,75 \text{ mm}^2$
- Połączenia D+ i S+: $\geq 0,75 \text{ mm}^2$
- Gniazdo prądu stałego należy zamontować w następujący sposób (rys. **21**, strona 11):
 - Podłączyć **AiC** do dodatniego bieguna akumulatora.
 - Podłączyć **DiF** do uziemienia.
 - Podłączyć **B** do sygnału D+.
Układ elektroniczny lodówki wykorzystuje sygnał D+ alternatora do rozpoznawania pracującego silnika. W trybie automatycznym lodówka wybiera najkorzystniejszy dostępny rodzaj zasilania. Lodówka zasilana jest prądem stałym tylko wtedy, gdy silnik pojazdu jest włączony.
 - Podłączyć **E** do magistrali Cl.
- Podłączyć **10** do sygnału S+ (opcjonalnie).
- Zabezpieczyć przewód zasilający **A** bezpiecznikiem 2 A w skrzynce rozdzielczej pojazdu.
- Zabezpieczyć przewód zasilający **C** bezpiecznikiem 15 A w skrzynce rozdzielczej pojazdu.
- Uruchomić przewód zasilający **C** za pomocą przekaźnika sterowanego zapłonem.
Zapobiega to całkowitemu rozładowaniu akumulatora w przypadku przypadkowego wyłączenia silnika.

Prąd przemienny

- Przyłączyć lodówkę do gniazdka prądu przemiennego poprzez wetknięcie do niego wtyczki urządzenia.

6 Dane techniczne

	RM10.5(S)(T)	RMS10.5(S)(T)	RMS10.5X(S)(T)
Napięcie zasilania:	230 V~ /50 Hz 12 V===		
Pojemność			
Pojemność brutto:	88 l	78 l	92 l
Komora lodówki:	78,7 l	69,1 l	80,3 l
Zamrażarka	9,2 l	9,2 l	12,1 l
Całkowita pojemność netto:	86 l	76 l	90 l
Z wyłączeniem zamrażarki			
Pojemność brutto:	93 l	83 l	98 l
Pojemność netto:	91 l	81 l	96 l
Moc pobierana:	135 W (230 V~) 130 W (12 V===)		
Zużycie energii:	2,8 kWh/24 h (230 V~)	2,5 kWh/24 h (230 V~)	3,2 kWh/24 h (230 V~)
Zużycie gazu:	270 g/24 h		
Ciśnienie przyłączeniowe gazu:	30 mbar		
Klasa klimatyczna:	SN		
Wymiary (wys. x szer. x gł.):	821 x 523 x 548 mm		821 x 523 x 603 mm
Masa:	28 kg	27,4 kg	29 kg
Kontrola/certyfikat:	 		

Aktualną deklarację zgodności UE dla urządzenia można znaleźć na stronie produktu pod adresem: dometic.com lub uzyskać ją bezpośrednio u producenta (patrz tylna strona).

Pred montážou a uvedením do prevádzky si prosím pozorne prečítajte tento návod a odložte si ho. V prípade odovzdania výrobku ďalšiemu používateľovi mu odovzdajte aj tento návod.

**POZNÁMKA**

Pokyny pre obsluhu nájdete v návode na obsluhu.

Obsah

1	Vysvetlenie symbolov	216
2	Bezpečnostné pokyny	217
3	Príslušenstvo	219
4	Montáž chladničky	219
5	Prípojenie chladničky	226
6	Technické údaje	231

1 Vysvetlenie symbolov

**VÝSTRAHA!**

Bezpečnostné upozornenie na nebezpečnú situáciu, ktorá môže viesť k usmrteniu alebo ťažkému poraneniu, ak sa jej nezabráni.

**UPOZORNENIE!**

Bezpečnostné upozornenie na nebezpečnú situáciu, ktorá môže viesť k ľahkému alebo stredne ťažkému usmrteniu alebo ťažkému poraneniu, ak sa jej nezabráni.

**POZOR!**

Upozornenie na situáciu, ktorá môže viesť k materiálnym škodám, ak sa jej nezabráni.

**POZNÁMKA**

Doplňujúce informácie týkajúce sa obsluhy produktu.

2 Bezpečnostné pokyny

Výrobca v nasledujúcich prípadoch nepreberá za škody žiadnu záruku:

- Chyby montáže alebo pripojenia
- Poškodenia produktu mechanickým pôsobením a nesprávnym pripájacím napätím
- Zmeny produktu bez vyjadreného povolenia výrobcu
- Použitie na iné účely ako sú účely uvedené v návode



VÝSTRAHA! Nedodržanie týchto varovaní môže mať za následok smrť alebo vážne poranenie.

Nebezpečenstvo výbuchu

- Nikdy neotvárajte absorpčný agregát. Je pod vysokým tlakom a v prípade jeho otvorenia môže spôsobiť poranenia.
- Chladnička sa smie prevádzkovať **výlučne** s tlakom uvedeným na typovom štítku. Používajte len pevne nastavené regulátory tlaku, ktoré vyhovujú národným predpisom (v Európe EN 12864).

Nebezpečenstvo požiaru

- Dbajte na čisté a bezozvyškové spracovanie, ak používate silikónovú tesniacu hmotu alebo podobné. Ak sa silikónové vlákna dostanú do kontaktu s horúcimi dielmi alebo otvoreným plameňom, hrozí nebezpečenstvo požiaru.
- Nikdy nekontrolujte chladničku na netesnosť pomocou otvoreného plameňa.
- Používajte len propán alebo bután (**žiadny** zemný plyn).

Ohrozenie zdravia

- Ak chladnička vykazuje viditeľné poškodenia, nesmiete ju uviesť do prevádzky.
- Ak je pripájací kábel na striedavý prúd tejto chladničky poškodený, musí ho vymeniť výrobca, jeho oddelenie Služieb zákazníkom alebo iná kvalifikovaná osoba, aby sa predišlo ohrozeniam.
- Opravy na tejto chladničke smú vykonávať len kvalifikovaní odborníci. Neodbornými opravami môžu vzniknúť vážne ohrozenia.

Nebezpečenstvo udusenía

- Pri likvidácii starej chladničky demontujte všetky dvere chladničky a ponechajte úložné priečky v chladničke, aby sa zabránilo náhodnému zatvoreniu a uduseniu.



UPOZORNENIE! Nedodržanie týchto upozornení môže mať za následok drobné alebo stredne ťažké poranenie.

Úraz elektrickým prúdom

- Pred uvedením do prevádzky dbajte na to, aby bolo suché zprívodné vedenie a konektor.

Nebezpečenstvo pomliaždenia

- Nesiahajte do závesu.



POZOR! Nebezpečenstvo poškodenia

- Pri preprave pevne držte chladničku len korpus. Nikdy nedržte chladničku za absorpčný agregát, chladiace rebrá, plynové vedenia, dvere alebo ovládací panel.

- Pri preprave dávajte pozor, aby nedošlo k poškodeniu chladiaceho okruhu. Chladiaci prostriedok v chladiacom okruhu je ľahko vznietiteľný.

V prípade poškodenia chladiaceho okruhu (amoniakový zápach):

- Prípadne vypnite chladničku.
- Nepoužívajte otvorený oheň a zabráňte vzniku iskier.
- Dobre vyvetrajte priestor.

- Chladničku nemontujte v blízkosti otvoreného ohňa alebo iných zdrojov tepla (kúrenie, plynové pece atď.).

- **Nebezpečenstvo prehriatia!**

Dbajte na to, aby sa teplo, ktoré vzniká pri prevádzke, mohlo dostatočne odvádzať. Zabezpečte, aby chladnička bola v dostatočnej vzdialenosti od stien alebo predmetov, takže bude zaručená cirkulácia vzduchu.

- Porovnajete údaje o napätí na typovom štítku s existujúcim zdrojom napätia.
- Chladiaci okruh v žiadnom prípade neotvárajte.
- Pripojte chladničku pomocou príslušného pripájacieho kábla na striedavý prúd k zásuvke striedavého napätia.
- Používajte len kábel s vhodným prierezom vodiča.
- Konektor nikdy nevyťahujte zo zásuvky za kábel.
- Chladnička sa nesmie vystavovať dažďu.

3 Príslušenstvo

Označenie

Pružné plynové potrubie

Tesnenie na nepriedušnú montáž pre štrbiny a medzery 1 – 5 mm (obr. **8 B**, strane 6)

Tesnenie na nepriedušnú montáž pre štrbiny a medzery 5 – 10 mm (obr. **8 C**, strane 6)

Zimný kryt WA 130 pre vetraciu mriežku LS 200

Adaptérový kábel

- WAGO pre CEE
- WAGO pre VB
- WAGO pre JST
- WAGO pre MATE-N-LOK

Voliteľná súprava ventilátora REF-FANKIT

Voliteľný akumulátor Pack R10-BP pre samostatnú prevádzku s plynom

Voliteľná súprava na skladovanie

4 Montáž chladničky



UPOZORNENIE! Ohrozenie zdravia

Zariadenie musí byť upevnené podľa opisu v návode, aby sa zabránilo ohrozeniu následkom jeho nestability/uvoľnenia.



Príručku s pokynmi na výmenu zarážky dvierok a dekoračnej platne nájdete online na adrese:
„dometic.com/manuals“.

Zariadenie je vhodné pre montáž do:

- karavanov
- obytných vozidiel

4.1 Príprava montáže



POZOR!

- Chladnička sa nesmie montovať v zadnej časti karavanu s dverami v smere jazdy.
- Pre zaistenie bezpečnej prevádzky používajte výlučne originálne vetracie mriežky Dometic.

Pri montáži chladničky dodržiavajte nasledovné pokyny:

- Ubezpečte sa, že podlaha je pevná a rovná. Kvôli tomu zaparkujte vozidlo na vodorovnom povrchu.
- Ubezpečte sa, že chladnička je postavená vodorovne.
- Chladnička musí byť namontovaná tak, aby
 - bola ľahko dostupná pre servisné práce
 - ľahko sa demontovala a montovala
 - dala sa ľahko vybrať z vozidla
- Chladnička musí byť zabudovaná do výklenku, aby sa pri pohybe vozidla nepohla. Kvôli tomu dodržte nasledujúce rozmery (obr. **1**, strane 3 a obr. **2**, strane 4):

	RM10.5(S)(T)	RMS10.5(S)(T)	RMS10.5X(S)(T)
Chladnička	Celkové rozmery v mm		
Výška (A)	821	821	821
Šírka (B)	523	523	523
Hĺbka (C) (nezahŕňa ovládací regulátor 5 mm)	548	548	603
Výklenok	Rozmery v mm		
Výška (H)	≥824	≥824	≥824
Šírka (W)	≥525,5	≥525,5	≥525,5
Hĺbka (D)	≥563	≥563	≥618

- Vo vonkajšej stene musí byť naprojektovaný vetrací otvor (obr. **3** 1, strane 4) a odvetrávací otvor (obr. **3** 2, strane 4) s vetracími mriežkami, aby vytvorené teplo mohlo byť dobre odvádzané von:
 - Vetrací otvor: Osadte ventilačnú mriežku tak, aby čo najviac lícovala s plochou montážneho výklenku.
 - Odvetrávací otvor: podľa možnosti čo najviac nad chladničkou.
 - Vzdialenosť medzi vetracím otvorom a odvetrávacím otvorom musí byť minimálne 1050 mm (obr. **4**, strane 4).
- Nad chladničkou naplánujte teplovodný plech (obr. **4** 1, strane 4), aby sa teplo neakumulovalo vo vozidle.
- Vzdialenosť medzi chladničkou a zadnou stenou musí byť minimálne 15 mm, ale nie viac ako 25 mm.
- Vzdialenosť medzi chladničkou a zadnou stenou väčšia ako 25 mm vedie k stratám výkonu a zvýšenej spotrebe energie chladničky. V závislosti od toho zmenšíte prázdny priestor za chladničkou, aby bolo zabezpečené dostatočné vetranie a odvetrávanie (obr. **5**, strane 5). Na to použijete napr. vzduchovodný plech.
- Ak nie je možné dodržať minimálnu vzdialenosť medzi vetracím a odvetrávacím otvorom, namiesto odvetrávacieho otvoru musí byť namontovaný strešný vetrák.
 - Strešný vetrák je potrebné namontovať podľa možnosti priamo nad zadnú stenu chladničky. Použite vzduchový kanál (obr. **6** 1, strane 5), ak chcete strešný vetrák namontovať zapustený, v opačnom prípade dôjde k nahromadeniu tepla.
 - Vzdialenosť medzi vetracím otvorom a strešným vetrákom musí byť minimálne 900 mm (obr. **6**, strane 5).
 - Pokiaľ je namontovaná strešná klimatizácia, vzdialenosť medzi strešným vetrákom (obr. **7** 1, strane 6) a vývodom vzduchu strešnej klimatizácie (obr. **7** 2, strane 6) musí byť minimálne 300 mm.
- Chladnička nesmie byť zabudovaná bokom k vetraciemu a odvetrávaciemu otvoru, pretože to vedie k stratám výkonu a zvýšenej spotrebe energie chladničky.
- Vetrací a odvetrávací otvor nesmú byť pri prevádzke zakryté časťami vozidla (napr. otvorené dvere alebo namontovaným príslušenstvom ako nosič bicyklov).
- Namontujte chladničku tak, aby bola chránená proti nadmernému tepelnému žiareniu, pretože to vedie k stratám výkonu a zvýšenej spotrebe energie chladničky.
- Chladnička musí byť plynotelesne zabudovaná.

4.2 Plynotesná montáž chladničky



VÝSTRAHA! Nebezpečenstvo požiaru!

- Na plynotesnú montáž nepoužívajte žiadne ľahko horľavé materiály ako silikónové tesniace hmoty, montážnu penu a podobne.
- Zariadenie umiestnite tak, aby nedošlo k poškodeniu alebo privretiu pripájacieho kábla.
- Za zariadením nepoužívajte rozvojky alebo prenosné napájacie adaptéry.

Plynové chladničky v karavanoch alebo obytných vozidlách musia byť plynotesne zabudované. Znamená to, že vzduch pre spaľovanie nesmie byť odoberaný z interiéru a je zabránené priamemu vniknutiu spalín do obytného priestoru.

Medzi zadnou stenou chladničky a interiérom vozidla musí byť naprojektované vhodné utesnenie.

Výrobca odporúča použiť pružné tesnenie pre zjednodušenie demontáže a montáže pre účely údržby.

Zvoľte jednu z troch verzií plynotesnej montáže (obr. **8**, strane 7):

Dorazová lišta za chladničkou (A)

- Prilepte pružnú tesniacu hranu (**1**) k dorazovej lište (**2**) za chladničkou (**3**).
- Zatláčajte kombinovanú chladničku s rúrou oproti dorazovej lište s tesniacimi hranami.
- ✓ Priestor za chladničkou je utesnený k interiéru vozidla.

Bočná medzera medzi chladničkou a nábytkom až do vzdialenosti 5 mm (B)

- Prilepte tesniace hrany (pozrite si kap. „Príslušenstvo“ na strane 219) na bočnú stranu nábytku (**4**).
- Zatláčajte kombinovanú chladničku s rúrou oproti pružnej tesniacej hrane na nábytku.
- ✓ Priestor za chladničkou je utesnený k interiéru vozidla.

Bočná medzera medzi chladničkou a nábytkom vo vzdialenosti 5 mm až 10 mm (C)

- Prilepte tesnenie s dvojitou hranou (pozrite si kap. „Príslušenstvo“ na strane 219) na bočnú stranu nábytku (**4**).

- Zatláčte kombinovanú chladničku s rúrou oproti tesneniu s dvojitou hranou na nábytku.
- ✓ Priestor za chladničkou je utesnený k interiéru vozidla.

4.3 Vytvorenie vetracieho a odvetrávacieho otvoru



POZNÁMKA

- Odchýlky od variantov vetracieho a odvetrávacieho otvoru, ktoré sú tu zobrazené, musí schváliť výrobca.
- Pri vysokých teplotách okolia môže chladnička ponúknuť svoj maximálny chladiaci výkon len vtedy, keď je zabezpečené optimálne vetranie a odvetrávanie.

- Vo vonkajšej stene vytvorte vetrací a odvetrávací otvor s rozmermi 451 mm × 156 mm.
Prítom dodržujte pokyny, pozri kap. „Príprava montáže“ na strane 220.

Pokiaľ nie je možné vetraciu mriežku zabudovať zalícovane s podlahou montážneho výklenku, vytvorte vetrací otvor v podlahe. Akýkoľvek unikajúci plyn tak môže prúdiť smerom dole.

- Za kombinovanou chladničkou s rúrou v blízkosti plynového horáka vytvorte v podlahe vetrací otvor s \varnothing aspoň 40 mm (obr. **9** 1, strane 8).
- Zakryte vonkajšiu stranu otvoru deflektorom, aby počas jazdy nevníkol kal alebo nečistoty (obr. **9** 2, strane 8).

Pokiaľ musíte namiesto odvetrávacieho otvoru použiť strešný vetrák:

- Vyhotovte v streche výrez na rám. Potrebné rozmery nájdete v návode k strešnému vetráku.
Prítom dodržujte pokyny v kap. „Príprava montáže“ na strane 220.

4.4 Montáž vetracej mriežky



POZNÁMKA

Pre zaistenie bezpečnej prevádzky používajte výlučne originálne vetracie mriežky Dometic.

Č. na obr. 10 , strane 8	Označenie
1	Montážny rám
2	Vetracia mriežka
3	Posúvač
4	Zimný kryt pre vetráciu mriežku (príslušenstvo)
5	Adaptér pre hadicu na odvádzanie kondenzovanej vody

- Vodotesne utesnite montážny rám (obr. **11**, strane 8).
- Osadte montážny rám a pevne ho priskrutkujte (obr. **12**, strane 8). Použite na to všetky upevňovacie otvory.
- Namontujte adaptér podľa obrázku (obr. **13** 1, strane 9).
- Vložte vetráciu mriežku podľa obrázku (obr. **14**, strane 9).

4.5 Montáž odtoku kondenzovanej vody



POZNÁMKA

- Vo vnútri chladničky sa kvôli častému otváraní dverí, nesprávne skladovaným potravinám alebo skladovaniu príliš teplých jedál môže tvoriť kondenzovaná voda.
- Kondenzovaná voda musí odtekať pod konštantným sklonom.

Odtok kondenzovanej vody namontujte nasledovne:

- Pripojte hadicu na kondenzovanú vodu priamo k adaptéru na vetracej mriežke (obr. **13** 2, strane 9).

4.6 Montáž strešného vetráka

Č. na obr. 15 , strane 9	Označenie
1	Kryt
2	Montážny rám

- ▶ Vodotesne utesnite montážny rám (obr. **16**, strane 9).
- ▶ Osadíte montážny rám a pevne ho priskrutkujte (obr. **17**, strane 10). Použite na to všetky upevňovacie otvory.
- ▶ Nasadíte kryt a pevne ho priskrutkujte (obr. **18**, strane 10).

4.7 Pripevnenie chladničky



UPOZORNENIE!

Skrutkujte vždy cez zdiery, ktoré sú na to určené, pretože v opačnom prípade môže dôjsť k poškodeniu zapenených dielov, ako napríklad káble.



POZNÁMKA

Pripevnite bočné steny alebo namontované lišty tak, aby skrutky pevne držali aj pri vyššom namáhaní (počas jazdy).

- ▶ Umiestnite chladničku na vyhradené miesto.
- ▶ Zakrúťte skrutky (obr. **19** 1, strane 10) cez plastový plášť v bočných stenách chladničky a ďalej do steny.
- ▶ Na hlavy skrutiek nasadíte krycie uzávery (obr. **19** 2, strane 10).

5 Pripojenie chladničky

5.1 Pripojenie k prívodu plynu



VÝSTRAHA! Nedodržanie týchto varovaní môže mať za následok smrť alebo vážne poranenie. Nebezpečenstvo ohrozenia zdravia

- Pripojenie chladničky k prívodu plynu smie vykonávať len odborník v súlade s platnými predpismi a normami danej krajiny.
- Hadicové pripojenie **nie je** prípustné.
- Použite skrutkový spoj s kovovým tesnením.
- Plynový filter (biely) v plynovej prípojke chladničky sa nesmie vyberať.
- Používajte len propánové alebo butánové plynové fľaše (žiadny zemný plyn ani svietiplyn) s preskúšaným redukčným tlakovým ventilom a vhodnou hlavickou. Porovnajte údaje o tlaku na typovom štítku s údajmi o tlaku na redukčnom tlakovom ventile propánovej alebo butánovej plynovej fľaše.
- Chladnička sa smie prevádzkovať **výlučne** s tlakom uvedeným na typovom štítku.
- Chladnička sa smie prevádzkovať **výlučne** s druhom plynu uvedeným na typovom štítku.
- Dodržujte tlaky schválené vo vašej krajine. Používajte len pevne nastavené regulátory tlaku, ktoré vyhovujú národným predpisom.



POZNÁMKA

Prípadne môžete použiť flexibilné pripájacie plynové potrubie Dometic, aby ste udržali inštaláciu bez napätia.

Chladnička musí byť samostatne uzatvárateľná prostredníctvom uzatváracieho mechanizmu v plynovom potrubí. Uzatvárací mechanizmus musí byť ľahko prístupný.

- Spojte chladničku pevne a bez pnutia s prívodom plynu (obr. 20, strane 10):



VÝSTRAHA! Nebezpečenstvo výbuchu

Dodržanie nasledujúcich uťahovacích momentov je veľmi dôležité:

Položka na obr. 20, strane 10	Označenie
1	Skrutka M4 (Torx TX20), Uťahovací moment: 2 Nm
2	Plynová prípojka chladničky: M14 × 1,5 (d = 8 mm/ISO 8434 (DIN 2353))
3	Plynové potrubie s prstencovou spojkou (veľkosť 17) Uťahovací moment: 25 Nm

- Po odbornej montáži nechajte autorizovaného odborníka vykonať skúšku tesnosti a plameňa.
Postarajte sa, aby vám bolo vydané osvedčenie o skúške a toto osvedčenie odovzdajte koncovému používateľovi.

5.2 Pripojenie na jednosmerný a striedavý prúd



VÝSTRAHA! Nedodržanie týchto varovaní môže mať za následok smrť alebo vážne poranenie. Nebezpečenstvo úrazu elektrickým prúdom

Elektrickú inštaláciu, ako aj opravy smie vykonávať len odborník podľa platných predpisov a noriem danej krajiny.



POZNÁMKA

- Zástrčka zariadenia nesmie byť umiestnená priamo za vetracou mriežkou, aby sa zabránilo blokovaniu cirkulácie vzduchu a zástrčka bola chránená pred striekajúcou vodou.
- Zástrčka pripájacieho kábla na striedavý prúd sa nesmie odrezať.
- Pripojovacie káble musia byť položené tak, aby sa nedostali do kontaktu s horúcimi časťami agregátu/horáka alebo s ostrými hranami.
- Zmeny na vnútornej elektroinštalácii alebo pripojenie iných elektrických súčastí (napr. externé prídavné ventilátory/vetráky) k vnútornej kabeláži chladničky vedú k zániku akýchkoľvek nárokov zo záruky a ručenia za produkt.
- Chladničky RM 10.5 a RMS 10.5 disponujú zbernicovým rozhraním CI a dajú sa ovládať cez kompatibilný hlavný displej vozidla.

Schéma zapojenia chladničky (obr. 21, strane 11)

Položka na obr. 21, strane 11	Označenie
1	Ventilátor 1 (ak voliteľný modul je dostupný)
2	Voliteľné moduly (voliteľné)
3	Napájanie rúry jednosmerným prúdom (ak sú dostupné voliteľné moduly)
4	Napájanie výkonového modulu jednosmerným prúdom
5	NTC 2: Vonkajšia teplota (voliteľné)
6	NTC 1: Snímač teploty čerstvých potravín
7	Plynový ventil
8	Jas
9	Spínač s jazýčkovým kontaktom
10	S+ (voliteľné)
11	Ohrevný prvok na jednosmerný prúd
12	Poistka 15 A
13	Relé jednosmerného prúdu pre ohrevnú patrónu
14	Vstup Plyn

Položka na obr. 21, strane 11	Označenie
15	Pripájací blok jednosmerného prúdu
16	Kábel na jednosmerný prúd pre napájanie elektroniky
17	Kábel na jednosmerný prúd pre napájanie ohrevného prvku
18	Pripojenie CI zbernice
19	Prípojka striedavého prúdu
20	Ohrevný prvok na striedavý prúd
21	Uzemnenie
22	Ochranná zem striedavého prúdu
23	Zapaľovacia elektróda
24	Výkonový modul
25	Zobrazovací modul

Jednosmerný prúd



VÝSTRAHA! Nebezpečenstvo požiaru

- Prívodné vedenie k ohrevnému prvku musí byť istené poistkou 15 A.
- Prívodné vedenie k elektronike musí byť istené poistkou 2 A.



POZOR!

Príslušné kladné a záporné napájacie káble prípojok jednosmerného napätia pre elektroniku (obr. 21 16, strane 11) a vykurovacieho telesa (obr. 21 17, strane 11) **nesmú** byť navzájom spojené a vedené na jednom vodiči. V opačnom prípade môže dôjsť k elektrickým vplyvom alebo poškodeniu elektrických súčiastok.

Dodržiavajte nasledujúce prierezy kábla (obr. 22, strane 13):


- Pripojenia ohrevného prvku:
 - <6 m (v interiéri): $\geq 6 \text{ mm}^2$
 - >6 m (v interiéri): $\geq 10 \text{ mm}^2$
 - Kábel napájaný pomocou ťažnej tyče (iba karavany): $\geq 2,5 \text{ mm}^2$
- Pripojenia elektroniky: $\geq 0,75 \text{ mm}^2$
- Pripojenia D+ a S+: $\geq 0,75 \text{ mm}^2$

- Zásuvku na jednosmerné napätie zmontujte nasledovne (obr. **21**, strane 11):
 - Pripojte **Aa C** ku kladnému pólu batérie.
 - Pripojte **D** a **F** k uzemneniu.
 - Pripojte **B** k signálu D +.
Elektronika chladničky využíva signál D+ alternátora na rozpoznanie bežiacieho motora vozidla. Chladnička v automatickom režime zvolí najúspornejší prevádzkový režim, ktorý je k dispozícii. Ak motor vozidla beží, chladnička je napájaná len jednosmerným prúdom.
 - Pripojte **E** k zbernici CI-BUS.
- Pripojte **10** pomocou signálu S+ (voliteľné).
- Napájacie vedenie **A** chráňte pomocou 2 A poistky v rozvodnej skrinke vozidla.
- Napájacie vedenie **C** chráňte pomocou 15 A poistky v rozvodnej skrinke vozidla.
- Napájacie vedenie **C** ved'te cez relé ovládajúce zapalovanie.
Tým sa zabráni úplnému vybitiu akumulátora, ak sa motor náhodne vypne.

Striedavý prúd

- Pripojte chladničku prostredníctvom zástrčky do zásuvky na striedavý prúd.

6 Technické údaje

	RM10.5(S)(T)	RMS10.5(S)(T)	RMS10.5X(S)(T)
Pripájacie napätie:	230 V \sim /50 Hz 12 V \equiv		
Kapacita			
Hrubý objem:	88 l	78 l	92 l
Chladiaca priehradka:	78,7 l	69,1 l	80,3 l
Mraziaca priehradka:	9,2 l	9,2 l	12,1 l
Celkový čistý objem:	86 l	76 l	90 l
Okrem mraziacej priehradky			
Hrubý objem:	93 l	83 l	98 l
Čistý objem:	91 l	81 l	96 l
Príkonnosť:	135 W (230 V \sim) 130 W (12 V \equiv)		
Spotreba:	2,8 kWh/24 h (230 V \sim)	2,5 kWh/24 h (230 V \sim)	3,2 kWh/24 h (230 V \sim)
Spotreba plynu:	270 g/24 h		
Tlak plynu:	30 mbar		
Klimatická trieda:	SN		
Rozmery V \times Š \times H:	821 \times 523 \times 548 mm		821 \times 523 \times 603 mm
Hmotnosť:	28 kg	27,4 kg	29 kg
Skúška/certifikát:			

Aktuálne ES vyhlásenie o zhode pre Vaše zariadenie nájdete na stránke príslušného výrobcu na internetovej stránke dometic.com alebo sa obráťte priamo na výrobcu (pozri zadnú stranu).

Před zahájením instalace a uvedením do provozu si pečlivě přečtěte tento návod a uschovejte jej. V případě dalšího prodeje výrobku předejte návod novému uživateli.

**POZNÁMKA**

Podrobné pokyny k ovládání naleznete v návodu k obsluze.

Obsah

1	Vysvětlení symbolů	232
2	Bezpečnostní pokyny	233
3	Příslušenství	235
4	Instalace chladničky	235
5	Připojení chladničky	242
6	Technické údaje	247

1 Vysvětlení symbolů

**VÝSTRAHA!**

Bezpečnostní upozornění na nebezpečnou situaci, která může vést k úmrtí nebo těžkému poranění osob, pokud se jí nevyhnete.

**UPOZORNĚNÍ!**

Bezpečnostní upozornění na nebezpečnou situaci, která může vést k lehkému nebo středně těžkému poranění osob, pokud se jí nevyhnete.

**POZOR!**

Upozornění na situaci, která může vést k poškození majetku, pokud se jí nevyhnete.

**POZNÁMKA**

Doplňující informace týkající se obsluhy výrobku.

2 Bezpečnostní pokyny

V následujících případech nepřebírá výrobce žádné záruky za škody:

- Chybná montáž nebo chybné připojení
- Poškození výrobku působením mechanických vlivů a chybného připojovacího napětí
- Změna výrobku bez výslovného souhlasu výrobce
- Použití k jiným účelům, než jsou popsány v tomto návodu



VÝSTRAHA! Nedodržení těchto varování by mohlo mít za následek smrt nebo vážné zranění.

Nebezpečí výbuchu

- Nikdy neotevírejte absorpční agregát. Je pod vysokým tlakem a může v případě otevření způsobit zranění.
- Chladničku používejte **výhradně** pod tlakem uvedeným na typovém štítku. Používejte pouze pevně nastavené regulátory tlaku, které odpovídají národním předpisům (v Evropě EN 12864).

Nebezpečí požáru

- Pokud se používá silikonová těsnicí hmota apod., dbejte na čisté zpracování beze zbytků. Pokud se silikonová vlákna dostanou do kontaktu s horkými částmi nebo otevřenými plameny, hrozí nebezpečí požáru.
- Nikdy nekontrolujte netěsnosti chladničky otevřeným plamenem.
- Používejte pouze propan nebo butan (**nikdy** zemní plyn).

Nebezpečí ohrožení zdraví

- V případě, že je chladnička viditelně poškozena, nesmíte ji používat.
- Pokud je přívodní kabel na střídavý proud této chladničky poškozen, musíte jej nechat vyměnit výrobcem, jeho servisním centrem nebo jinou kvalifikovanou osobou tak, aby nemohlo dojít k žádnému ohrožení.
- Opravy chladničky smějí provádět pouze odborníci. Nesprávně provedené opravy mohou být zdrojem značných rizik.

Riziko udušení

- Při likvidaci staré chladničky demontujte všechna dvířka chladničky a police ponechtejte v chladničce, aby se zabránilo náhodnému uzamčení a udušení.

**UPOZORNĚNÍ! Nedodržení těchto upozornění by mohlo mít za následek lehké nebo střední zranění.****Úraz elektrickým proudem**

- Před uvedením do provozu zkontrolujte, zda jsou přívodní kabel a zástrčka suché.

Nebezpečí stlačení

- Nesahejte do závěsu.

**POZOR! Nebezpečí poškození**

- Chladničku při přepravě přidržujte pouze za těleso chladničky. Chladničku nikdy nepřidržujte za absorpční agregát, chladicí žebra, plynová potrubí, dvířka ani ovládací panel.
- Dávejte při přepravě pozor, abyste nepoškodili chladicí okruh. Chladivo v chladicím okruhu je vysoce hořlavé. Při poškození chladicího okruhu (zápach amoniaku):
 - Případně vypněte chladničku.
 - Pozor na otevřený oheň a jiskření.
 - Dobře větrejte místnost.
- Chladničku neinstalujte v blízkosti otevřeného ohně nebo jiných tepelných zdrojů (topení, plynová kamna apod.).
- **Nebezpečí přehřátí!**

Vždy dbejte, aby bylo teplo vznikající za provozu zařízení dostatečně odváděno. Zajistěte, aby byla chladnička postavena v dostatečné vzdálenosti od stěn nebo předmětů tak, aby mohl vzduch cirkulovat.
- Porovnejte údaj o napětí na typovém štítku s dostupným zdrojem napájení.
- Nikdy neotevírejte chladicí okruh.
- Pro připojení chladničky k síti se střídavým proudem používejte pouze příslušný přívodní kabel na střídavý proud.
- Používejte pouze kabely o odpovídajícím průřezu vedení.
- Nikdy nevytahujte zástrčku ze zásuvky tahem za přívodní kabel.
- Chladničku nesmíte vystavit dešti.

3 Příslušenství

Popis

Flexibilní plynové potrubí

Těsnění pro bezprůvanovou instalaci pro mezery 1 – 5 mm (obr. **8 B**, strana 6)

Těsnění pro bezprůvanovou instalaci pro mezery 5 – 10 mm (obr. **8 C**, strana 6)

Zimní kryt WA 130 na větrací mřížku LS 200

Kabel s adaptérem

- WAGO na CEE
- WAGO na UK
- WAGO na JST
- WAGO na MATE-N-LOK

Volitelná sada ventilátoru REF-FANKIT

Volitelný akumulátor R10-BP pro samostatný provoz na plyn

Volitelná skladovací souprava

4 Instalace chladničky



UPOZORNĚNÍ! Nebezpečí ohrožení zdraví

Aby se zabránilo nebezpečí v důsledku nestability přístroje, je nutné jej upevnit v souladu s pokyny.



Návod s pokyny k výměně dveřní zarážky a ozdobné lišty najdete online na adrese: „dometic.com/manuals“.

Přístroj je vhodný pro:

- karavany,
- obytné vozy.

4.1 Příprava instalace



POZOR!

- Chladničku není přípustné instalovat do zadní části obytného vozidla s dvířky orientovanými ve směru jízdy.
- V zájmu zajištění bezpečného provozu používejte výhradně originální větrací mřížky Dometic.

Při montáži chladničky dodržujte následující pokyny:

- Ujistěte se, že podlaha je pevná a rovná.
K tomuto účelu zaparkujte vozidlo tak, aby bylo ve vodorovné poloze.
- Ujistěte se, že chladnička je rovná.
- Chladničku je nutné instalovat tak,
 - aby byla snadno přístupná pro servisní práce,
 - bylo ji možné snadno demontovat a namontovat
 - a bez velkých nákladů z vozidla vyjmout.
- Chladničku musíte instalovat do výklenku tak, aby za pohybu vozidla zůstala pevně stát. Dodržujte následující rozměry (obr. **1**, strana 3 a obr. **2**, strana 4):

	RM10.5(S)(T)	RMS10.5(S)(T)	RMS10.5X(S)(T)
Chladnička	Celkový rozměr v mm		
Výška (A)	821	821	821
Šířka (B)	523	523	523
Hloubka (C) (bez ovládacího knoflíku 5 mm)	548	548	603
Výstupek	Rozměr v mm		
Výška (H)	≥824	≥824	≥824
Šířka (W)	≥525,5	≥525,5	≥525,5
Hloubka (D)	≥563	≥563	≥618

- Ve vnější stěně musí být zhotoven vstupní (obr. **3** 1, strana 4) a výstupní ventilační otvor (obr. **3** 2, strana 4) s větrací mřížkou tak, aby byl možný dobrý odvod tepla ven:
 - Ventilační otvor: Mřížku umístíte pokud možno v úrovni podlahy v instalačním výklenku.
 - Výstupní ventilační otvor: co nejdále nad chladničkou.
 - Vzdálenost mezi vstupním a výstupním ventilačním otvorem musí být minimálně 1050 mm (obr. **4**, strana 4).
- Nad chladničkou instalujte teplovodný plech (obr. **4** 1, strana 4), který zajistí, aby se ve vozidle nehromadilo teplo.
- Vzdálenost mezi chladničkou a zadní stěnou musí být minimálně 15 mm, nesmí však překročit 25 mm.
- Vzdálenost nad 25 mm mezi chladničkou a zadní stěnou vede ke snížení výkonu a zvýšení spotřeby elektrické energie chladničky. Prostor za chladničkou odpovídajícím způsobem zmenšete, aby se zajistil dobrý přívod i odvod vzduchu (obr. **5**, strana 5). K tomu účelu použijte např. usměrňovací plech vzduchu.
- Pokud nelze splnit minimální vzdálenost mezi přívodním a výstupním ventilačním otvorem, musí být místo výstupního otvoru instalována střešní ventilace.
 - Střešní ventilace by se měla nacházet pokud možno přímo nad zadní stranou chladničky. Je-li nutné střešní ventilaci nainstalovat s posunem, použijte vzduchový kanál (obr. **6** 1, strana 5); jinak bude docházet k akumulaci tepla.
 - Vzdálenost mezi vstupním ventilačním otvorem a střešní ventilací musí být minimálně 900 mm (obr. **6**, strana 5).
 - Pokud je k dispozici střešní klimatizace, musí být vzdálenost mezi střešní ventilací (obr. **7** 1, strana 6) a výstupem vzduchu ze střešní klimatizace (obr. **7** 2, strana 6) minimálně 300 mm.
- Chladnička nesmí být instalována po stranách vstupního a výstupního ventilačního otvoru, protože by to způsobovalo špatný výkon a zvýšenou spotřebu energie chladničky.
- Vstupní a výstupní ventilační otvory nesmí být za provozu zakryty součástmi vozidla (např. otevřenými dveřmi nebo instalací příslušenství, např. držáku jízdních kol).
- Chladničku instalujte tak, aby byla chráněna před nadměrným tepelným zářením, protože to vede ke snížení výkonu a zvýšení spotřeby elektrické energie chladničky.
- Chladnička musí být nainstalována tak, aby nebyla vystavena průvanu.

4.2 Instalace chladničky na místě bez průvanu



VÝSTRAHA! Nebezpečí požáru!

- K instalaci zabráňující průvanu nepoužívejte vysoce hořlavé materiály, jako jsou silikonové těsnicí hmoty, montážní pěny apod.
- Umístěte přístroj tak, aby nedošlo k poškození nebo sevření přívodního kabelu.
- Za přístrojem nepoužívejte vícenásobné zásuvky ani přenosné napájecí adaptéry.

Plynová chladicí zařízení v karavanech nebo obytných vozech musejí být instalována tak, aby nebyla vystavena průvanu. To znamená, že spalovaný vzduch není odebírán z vnitřního prostoru a nedochází k hromadění spalin na přímém vstupu do obytného prostoru.

Mezi zadní stěnou chladničky a vnitřního prostoru vozidla musí být instalována vhodná izolace.

Výrobce doporučuje použít pružné těsnění, které usnadňuje montáž a demontáž z důvodu provádění údržby.

Vyberte jednu ze tří možností instalace se zamezením průvanu (obr. **8**, strana 7):

Dorazová lišta za chladničkou (A)

- Přilepte flexibilní těsnicí břit manžety **(1)** k dorazové liště **(2)** za chladničkou **(3)**.
- Posuňte kombinovanou chladničku a troubu proti dorazové liště s flexibilními těsnicími břity manžety.
- ✓ Prostor za chladničkou je upevněn k interiéru vozidla.

Boční mezera o velikosti až 5 mm mezi chladničkou a nábytkem (B)

- Na boční stranu nábytku **(4)** přilepte těsnicí břit manžety (viz kap. „Příslušenství“ na straně 235).
- Zatlačte kombinovanou chladničku a troubu proti flexibilním těsnicím břitům manžety na nábytku.
- ✓ Prostor za chladničkou je upevněn k interiéru vozidla.

Boční mezera o velikosti 5 až 10 mm mezi chladničkou a nábytkem (C)

- Na boční stranu nábytku **(4)** přilepte dvojité břitové těsnění (viz kap. „Příslušenství“ na straně 235).

- Zatlačte kombinovanou chladničku a troubu proti dvojitému břitovému těsnění na nábytku.
- ✓ Prostor za chladničkou je upevněn k interiéru vozidla.

4.3 Provedení vstupních a výstupních ventilačních otvorů



POZNÁMKA

- Odchylky od zde zobrazených variant vstupních a výstupních ventilačních otvorů musí být schváleny výrobcem.
- Za vysokých okolních teplot může chladnička dosáhnout maximálního chladicího výkonu pouze za předpokladu, že je zajištěna optimální ventilace a odvětrání.

- Vstupní ventilační otvor a výstupní ventilační otvor v zadní stěně zhotovte o velikosti
451 mm x 156 mm.

Dodržujte přitom uvedené pokyny, viz kap. „Příprava instalace“ na straně 236.

V případě, že nelze větrací mřížku vstupního ventilačního otvoru instalovat v úrovni podlahy, zhotovte vstupní ventilační otvor v podlaze. Případný uniklý plyn tak může směřovat dolů.

- V podlaze za chladničkou v prostoru plynového hořáku zhotovte ventilační otvor minimálně o průměru 40 mm (obr. 9 1, strana 8).
- Chraňte vnější stranu otvoru vhodnou clonou tak, aby za jízdy do otvoru nemohlo vniknout bahno nebo nečistoty (obr. 9 2, strana 8).

Je-li nutné místo výstupního ventilačního otvoru použít střešní ventilaci:

- Zhotovte výřez v rámu ve střeše. Požadovaný rozměr naleznete v návodu ke střešní ventilaci.
Dodržujte přitom uvedené pokyny, viz kap. „Příprava instalace“ na straně 236.

4.4 Montáž větrací mřížky



POZNÁMKA

V zájmu zajištění bezpečného provozu používejte výhradně originální větrací mřížky Dometic.

Č. na obr. 10, strana 8	Popis
1	Montážní rám
2	Větrací mřížka
3	Klapka
4	Zimní kryt na větrací mřížku (příslušenství)
5	Adaptér pro hadici odtoku kondenzátu

- Utěsněte montážní rám, aby bylo připojení vodotěsné (obr. 11, strana 8).
- Montážní rám nasadte a pevně jej přišroubujte (obr. 12, strana 8). Použijte k tomu připevňovací otvory.
- Instalujte hadicový adaptér podle obrázku (obr. 13 1, strana 9).
- Vložte větrací mřížku podle vyobrazení (obr. 14, strana 9).

4.5 Instalace odvodu kondenzátu



POZNÁMKA

- Uvnitř chladničky se může vytvářet kondenzát, a to z důvodu častého otevírání dvířek, nesprávného uchovávání potravin nebo ukládání příliš teplých pokrmů.
- Kondenzát musí být sveden v konstantním spádu.

Odtok kondenzátu instalujte následovně:

- Připojte hadičku pro odtok kondenzátu přímo k adaptéru na větrací mřížce (obr. 13 2, strana 9).

4.6 Montáž střešní ventilace

Č. na obr. 15 , strana 9	Popis
1	Kryt
2	Montážní rám

- ▶ Utěsněte montážní rám, aby bylo připojení vodotěsné (obr. **16**, strana 9).
- ▶ Montážní rám nasadte a pevně jej přišroubujte (obr. **17**, strana 10). Použijte k tomu připevňovací otvory.
- ▶ Nasadte kryt a pevně jej přišroubujte (obr. **18**, strana 10).

4.7 Upevnění chladničky



UPOZORNĚNÍ!

K šroubování použijte pouze určené objímky, jinak hrozí poškození zapěněných součástí, např. vedení.



POZNÁMKA

Boční stěny nebo nasazené lišty upevněte tak, aby šrouby byly dotaženy i při zvýšeném namáhání (při jízdě).

- ▶ Chladničku přemístěte do konečné polohy.
- ▶ Šrouby (obr. **19** 1, strana 10) zašroubujte skrz plastový plášť v bočních stěnách chladničky a dále do stěny.
- ▶ Na hlavy šroubů nasadte krytky (obr. **19** 2, strana 10).

5 Připojení chladničky

5.1 Připojení k přívodu plynu



VÝSTRAHA! Nedodržení těchto varování by mohlo mít za následek smrt nebo vážné zranění. Nebezpečí ohrožení zdraví

- Chladničku smí připojit k přívodu plynu pouze odborník v souladu s platnými národními předpisy a normami.
- Připojení hadicí **není** přípustné.
- Použijte těsnící kovový šroubový spoj.
- Nesmí být odstraněn plynový filtr (bílé barvy) v plynové přípojce chladničky.
- Používejte pouze propanové nebo butanové láhve (ne zemní plyn ani svítiplyn) se zkontrolovaným tlakovým redukčním ventilem a vhodnou hlavici. Porovnejte údaj o tlaku na typovém štítku s údajem o tlaku na regulátoru tlaku láhve s propanem nebo butanem.
- Chladničku používejte **výhradně** při tlaku uvedeném na typovém štítku.
- Chladničku používejte **výhradně** s takovým druhem plynu, který je uveden na typovém štítku.
- Dodržujte tlaky předepsané ve vaší zemi. Používejte pouze pevně nastavené regulátory tlaku, které odpovídají národním předpisům.



POZNÁMKA

Volitelně můžete použít flexibilní plynové spojovací potrubí, aby u instalace nedocházelo k pnutí.

Chladničku musí být možné samostatně odpojit pomocí odpojovacího zařízení v plynovém vedení. Odpojovací zařízení musí být snadno přístupné.

- Chladničku odpojenou od napájení pevně zapojte k přívodu plynu (obr. 20, strana 10):



VÝSTRAHA! Nebezpečí výbuchu

Je velmi důležité dodržet následující utahovací momenty:

Položka na obr. 20, strana 10	Popis
1	Šroub M4 (torx TX20), Utahovací moment: 2 Nm
2	Přípojka plynu k chladničce: M14 x 1,5 (d = 8 mm/ISO 8434 (DIN 2353))
3	Plynové potrubí s kulatou spojkou (vel. 17), Utahovací moment: 25 Nm

- Po odborné instalaci nechejte autorizovaným odborníkem provést zkoušku těsnosti a plamenovou zkoušku.
Nechejte si vystavit osvědčení o této zkoušce a předejte jej do úschovy koncovému uživateli.

5.2 Připojení ke zdroji stejnosměrného a střídavého proudu



VÝSTRAHA! Nedodržení těchto varování by mohlo mít za následek smrt nebo vážné zranění. Nebezpečí usmrcení elektrickým proudem

Elektrická instalace a opravy musí být prováděny odborníkem v souladu s platnými národními předpisy a normami.



POZNÁMKA

- Zástrčka přístroje se nesmí nacházet přímo za větrací mřížkou, aby nedocházelo k narušení cirkulace vzduchu a aby byla tato zástrčka chráněná před stříkající vodou.
- Zástrčka přírodního kabelu, určeného k napájení střídavým proudem, nesmí být seříznutá.
- Přírodní kabel musí být položen tak, aby nepřišel do styku s horkými částmi agregátu/hořáku ani s ostrými hranami.
- Změny na vnitřní elektrické instalaci nebo přípojce dalších elektrických komponentů (např. externího přídatného ventilátoru) na vnitřní kabeláži chladničky vedou k zániku případných nároků z odpovědnosti za vady a odpovědnosti za výrobek.
- Chladničky RM10.5 a RMS10.5 jsou vybaveny rozhraním se sběrnici CI a lze je ovládat pomocí kompatibilního centrálního displeje vozidla.

Schéma zapojení chladničky (obr. 21, strana 11)

Položka na obr. 21, strana 11	Popis
1	Ventilátor 1 (je-li k dispozici modul možností)
2	Modul možností (volitelně)
3	Napájení stejnosměrného proudu pro troubu (je-li k dispozici modul možností)
4	Modul napájení stejnosměrného proudu
5	NTC 2: Venkovní teplota (volitelné)
6	NTC 1: Snímač teploty čerstvých potravin
7	Plynový ventil
8	Osvětlení
9	Spínací kontakt Reed
10	S+ (volitelné)
11	Topné těleso stejnosměrného proudu
12	Pojistka 15 A
13	Relé stejnosměrného proudu pro topnou vložku
14	Přívod plynu

Položka na obr. 21, strana 11	Popis
15	Připojovací blok stejnosměrného proudu
16	Přívodní kabel stejnosměrného proudu elektroniky
17	Přívodní kabel stejnosměrného proudu topného tělesa
18	Přípojka sběrnice CI
19	Přípojka na střídavý proud
20	Topné těleso střídavého proudu
21	Uzemnění
22	Ochranná kostra střídavého proudu
23	Zapalovací elektroda
24	Napájecí modul
25	Modul displeje

Stejnoseměrný proud



VÝSTRAHA! Nebezpečí požáru

- Přívodní vedení k topnému tělesu musí být chráněno pojistkou na 15 A.
- Přívodní vedení k elektronice musí být chráněno pojistkou na 2 A.



POZOR!

Příslušné kladné a záporné přívodní vedení stejnosměrného proudu elektroniky (obr. 21 16, strana 11) a topného tělesa (obr. 21 17, strana 11) **nesmí** být navzájem spojeny a vedeny jedním vodičem. To může způsobit elektromagnetické rušení nebo poškození elektrických součástí.

Respektujte následující průřezy vodičů (obr. 22, strana 13):


- Připojení topného tělesa:
 - <6 m (v interiéru): $\geq 6 \text{ mm}^2$
 - >6 m (v interiéru): $\geq 10 \text{ mm}^2$
 - Vedení kabelu přes tažnou tyč (pouze u karavanů): $\geq 2,5 \text{ mm}^2$
- Připojení elektroniky: $\geq 0,75 \text{ mm}^2$
- Připojení D+ a S+: $\geq 0,75 \text{ mm}^2$

- Smontujte zásuvku stejnosměrného proudu následujícím způsobem (obr. **21**, strana 11):
 - Propojte **A a C** s kladným pólem baterie.
 - Propojte **D a F** ke kostře.
 - Připojte **B** k signálu D+.
Elektronika chladničky využívá k rozpoznání běžícího motoru signál D+ alternátoru. Chladnička vybere v automatickém režimu nejpříznivější provozní režim. Chladnička se provozuje pouze na stejnosměrný proud, když je motor vozidla v chodu.
 - Připojte **E** ke sběrnici CI-BUS.
- Propojte **10** se signálem S+ (volitelné).
- V rozdělovači vozidla použijte pojistku na 2 A pro ochranu přívodního vedení **A**.
- V rozdělovači vozidla použijte pojistku na 15 A pro ochranu přívodního vedení **C**.
- Přívodní vedení **C** ved'te přes relé řízené zámekem zapalování.
Tím předejdete nežádoucímu úplnému vybití baterie při vypnutém motoru.

Střídavý proud

- Chladničku zapojte pomocí zástrčky do zásuvky na střídavý proud.

6 Technické údaje

	RM10.5(S)(T)	RMS10.5(S)(T)	RMS10.5X(S)(T)
Napájecí napětí:	230 V \sim /50 Hz 12 V \equiv		
Obsah			
Obsah brutto:	88 l	78 l	92 l
Chladicí prostor:	78,7 l	69,1 l	80,3 l
Mrazicí box:	9,2 l	9,2 l	12,1 l
Celkový obsah netto:	86 l	76 l	90 l
Vyjmutí mrazicího boxu			
Obsah brutto:	93 l	83 l	98 l
Čistý objem:	91 l	81 l	96 l
Vstup napájení:	135 W (230 V \sim) 130 W (12 V \equiv)		
Spotřeba elektrické energie:	2,8 kWh/24 h (230 V \sim)	2,5 kWh/24 h (230 V \sim)	3,2 kWh/24 h (230 V \sim)
Spotřeba plynu:	270 g/24 h		
Tlak plynové přípojky:	30 mbar		
Klimatická třída:	SN		
Rozměry V x Š x H:	821 x 523 x 548 mm		821 x 523 x 603 mm
Hmotnost:	28 kg	27,4 kg	29 kg
Zkouška/certifikát:			

Aktuální prohlášení o shodě EU pro toto zařízení naleznete na příslušné stránce produktu na webu dometic.com nebo kontaktujte přímo výrobce (viz zadní stranu).

Beépítés és üzembe vétel előtt gondosan olvassa el és őrizze meg ezt a használati útmutatót. Ha a terméket továbbadja, mellékelje hozzá a használati útmutatót is.

**MEGJEGYZÉS**

A kezelésre vonatkozó információkat az üzemeltetési útmutatóban találhatja meg.

Tartalomjegyzék

1	Szimbólumok magyarázata	248
2	Biztonsági útmutatások	249
3	Tartozékok	251
4	A hűtőszekrény beépítése	251
5	A hűtőkészülék csatlakoztatása	258
6	Műszaki adatok	263

1 Szimbólumok magyarázata

**FIGYELMEZTETÉS!**

Biztonsági megjegyzés olyan veszélyes helyzetre vonatkozóan, amely halált vagy súlyos sérülést okozhat, ha nem kerülik el.

**VIGYÁZAT!**

Biztonsági megjegyzés olyan veszélyes helyzetre vonatkozóan, amely könnyű vagy közepesen súlyos sérülést okozhat, ha nem kerülik el.

**FIGYELEM!**

Felhívás olyan helyzetre, amely dologi kárt okozhat, ha nem kerülik el.

**MEGJEGYZÉS**

A termék kezelésére vonatkozó kiegészítő információk.

2 Biztonsági útmutatások

A gyártó a bekövetkező károkért a következő esetekben nem vállal felelősséget:

- szerelési vagy csatlakozási hiba
- a termék mechanikai behatások és helytelen csatlakozási feszültség miatti károsodása
- a termék kifejezett gyártói engedély nélküli módosítása
- az útmutatóban leírt céloktól eltérő felhasználás



FIGYELMEZTETÉS! Ezeknek a figyelmeztetéseknek a figyelmen kívül hagyása súlyos, vagy halálos sérüléshez vezethet.

Robbanásveszély

- Az abszorber aggregátot tilos felnyitni. Nagy nyomás uralkodik benne és felnyitáskor sérüléseket okozhat.
- A hűtőszekrény **kizárólag** az adattáblán megadott nyomással üzemeltethető. Csak olyan fix beállítású nyomásszabályozót használjon, mely megfelel az országos előírásoknak (Európában: EN 12864).

Tűzveszély

- Amikor szilikon tömítőanyagot, vagy hasonlót használ, ügyeljen a tiszta és maradványmentes felvitelre. A szilikonszalak forró alkatrészekkel, vagy nyílt lánggal érintkezve tűzveszélyt okozhatnak.
- Soha ne ellenőrizze a hűtőszekrény tömítettségét nyílt lánggal.
- Csak propán- vagy butángázt (földgázt **ne**) használjon.

Egészségkárosodás veszélye

- Ne használja a hűtőszekrényt, ha az szemmel láthatóan megsérült.
- Ha a hűtőszekrény váltakozó áramú csatlakozókábele megsérül, akkor azt a veszélyeztetések elkerülése érdekében a gyártóval, a vevőszolgálattal vagy egy hasonlóan képzett szakemberrel ki kell cseréltetni.
- Ezen a hűtőszekrényen csak szakember végezhet javításokat. Nem szakszerű javítások jelentős veszélyeket okozhatnak.

Fulladásveszély

- A véletlen bezáródás, és fulladás elkerülése érdekében a régi hűtőszekrény leselejtezésekor szerelje le a hűtőszekrény ajtóit és a tartókat hagyja a hűtőkészülékben.



VIGYÁZAT! Ezeknek a vigyázat felhívásoknak a figyelmen kívül hagyása könnyű, vagy közepesen súlyos sérüléshez vezethet.

Áramütés

- Üzembe helyezés előtt ügyeljen arra, hogy a vezeték és a dugasz száraz legyen.

Zúzóadásveszély

- Ne nyúljon a zsanérok közé.



FIGYELEM! Károsodás veszélye

- A szállításkor kizárólag a testénél fogva mozgassa a hűtőszekrényt. A hűtőszekrényt tilos az abszorbernél, a hűtőbordáknál, a gázvezeték-eknél, vagy a kezelőlemeznél fogva mozgatni.
- Ügyeljen arra a szállításkor, hogy ne sérüljön a hűtőkör. A hűtőkörben található hűtőközeg gyúlékony.
A hűtőkör sérülése esetén (ammóniaszag):
 - Szükség esetén kapcsolja ki a hűtőszekrényt.
 - Kerülje a nyílt lángot és a gyújtószikrákat.
 - Szellőztesse ki jól a helyiséget.
- Ne építse be a hűtőszekrényt nyílt láng vagy más hőforrás közelébe (fűtés, gázkályha stb.).
- **Túlmelegedés miatti veszély!**
Mindig ügyeljen arra, hogy az üzemeltetés során keletkező hő kielégítően eltávozhasson. A levegő keringtetése érdekében gondoskodjon arról, hogy a hűtőszekrény megfelelő távolságra legyen a faltól vagy tárgytól.
- Hasonlítsa össze a feszültségadatokat a típustáblán a rendelkezésre álló energiaellátással.
- Semmilyen esetben ne nyissa ki a hűtőkört.
- A hűtőszekrényt csak a mellékelt váltakozó áramú csatlakozókábellel csatlakoztassa a váltakozó áramú aljzathoz.
- Csak megfelelő keresztmetszetű kábelt használjon.
- Soha ne húzza ki a csatlakozódugót a csatlakozókábelnél fogva az aljzataból.
- A hűtőszekrényt védje az esőtől.

3 Tartozékok

Megnevezés

Rugalmas gázvezeték

Szivárgásmentes beszerelést biztosító tömítés 1 – 5 mm-es hézagokhoz (8. ábra **B**, 6. oldal)

Szivárgásmentes beszerelést biztosító tömítés 5 – 10 mm-es hézagokhoz (8. ábra **C**, 6. oldal)

WA 130 téli burkolat LS 200 szellőzőrácshoz

Adapterkábel

- WAGO – CEE
- WAGO – UK
- WAGO – JST
- WAGO – MATE-N-LOK

Opcionális REF-FANKIT ventilátorkészlet

Opcionális R10-BP akkumulátorok önálló gáz üzemmódhoz

Opcionális tárolókészlet

4 A hűtőszekrény beépítése



VIGYÁZAT! Egészségkárosodás veszélye

A készülék instabilitása miatti kockázatok elkerülése érdekében az utasításoknak megfelelően rögzíteni kell azt.



Az ajtóütköző és a dekorlapok cseréjéhez az útmutatót online találja: „dometic.com/manuals”.

A készülék a következő helyekre szerelhető be:

- lakókocsik
- lakóautók

4.1 A beszerelés előkészítése



FIGYELEM!

- A hűtőszekrény nem telepíthető lakóautók hátsó részében, úgy hogy az ajtaja menetirányba néz.
- A biztonságos üzemelés érdekében kizárólag eredeti Dometic szellőzőrácsokat használjon.

A hűtőszekrény beszerelése során vegye figyelembe a következő megjegyzéseket:

- Biztosítsa, hogy a talaj szilárd és sík legyen. Ezért egyenletes, vízszintes talajon parkoljon le a járművel.
- Biztosítsa, hogy a hűtőszekrény vízszintesen álljon.
- A hűtőszekrényt úgy kell telepíteni, hogy
 - szervizeléshez könnyen hozzá lehessen férni
 - könnyű legyen le- és visszaszerelni
 - könnyen el lehessen távolítani a járműből
- A hűtőszekrényt valamilyen bemélyedésbe kell beszerelni, hogy a jármű mozgása során stabilan álljon. Vegye figyelembe a **1**. ábra, 3. oldal és a **2**. ábra, 4. oldal) méreteket:

	RM10.5(S)(T)	RMS10.5(S)(T)	RMS10.5X(S)(T)
Hűtőszekrény	Külső méretek mm-ben		
Magasság (A)	821	821	821
Szélesség (B)	523	523	523
Mélység (C) (az 5 mm-es vezérlőgomb nélkül)	548	548	603
Bemélyedés	Méretek mm-ben		
Magasság (H)	≥824	≥824	≥824
Szélesség (W)	≥525,5	≥525,5	≥525,5
Mélység (D)	≥563	≥563	≥618

- A keletkező hő kültér felé való jó átadhatósága érdekében a külső falban szellőzőráccsal rendelkező bemeneti szellőzőnyílást (**3** . ábra 1, 4. oldal) és kimeneti szellőzőnyílást (**3** . ábra 2, 4. oldal) kell kialakítani:
 - Bemenő szellőzőnyílás: A szellőzőrács a lehető legjobban illeszkedjen a beépítőfülke aljához.
 - Kiáramló levegő nyílása: lehetőleg magasan a hűtőszekrény fölött legyen elhelyezve.
 - A beáramló levegő nyílása és a kiáramló levegő nyílása között legalább 1050 mm távolságnak kell lennie (**4** . ábra, 4. oldal).
- A hűtőszekrény felett helyezzen el egy hővezető lemezt (**4** . ábra 1, 4. oldal), hogy a meleg levegő ne torlódjon fel a járműben.
- A hűtőszekrény és a hátfal között legalább 15 mm, de legfeljebb 25 mm távolságnak kell lennie.
- Ha a hűtőszekrény és a hátfal között 25 mm-nél nagyobb a távolság, az a hűtőszekrény teljesítménycsökkenéséhez és megnövekedett energiafogyasztáshoz vezet. A levegő megfelelő be-, és kiáramlásának biztosítása érdekében csökkentse le a hűtőszekrény mögötti tér méretét (**5** . ábra, 5. oldal). Ehhez használjon például egy légtelítő lemezt.
- Ha nem tartja be a beáramló levegő nyílása és a kiáramló levegő nyílása közötti minimális távolságot, akkor a kiáramló levegő nyílása helyett tetőszellőzést kell kialakítani.
 - A tetőszellőzésnek lehetőség szerint közvetlenül a hűtőszekrény hátoldala felett kell lennie. Ha ettől eltérő helyre kívánja elhelyezni a tetőszellőzést, akkor használjon levegőcsatornát (**6** . ábra 1, 5. oldal), ellenkező esetben a hő feltorlódhat.
 - A beáramló levegő nyílása és a tetőszellőzés között legalább 900 mm távolságnak kell lennie (**6** . ábra, 5. oldal).
 - Ha a járművön tetőklimaberendezés található, akkor a tetőszellőzés (**7** . ábra 1, 6. oldal) és a tetőklimaberendezés levegőkifúvónyílása (**7** . ábra 2, 6. oldal) között legalább 300 mm távolságnak kell lennie.
- A hűtőszekrényt nem szabad a levegőbeszívó-, és kifúvó nyílásokhoz képest oldalt beépíteni, mivel ez a hűtőszekrény teljesítménycsökkenését és megnövekedett energiafogyasztását eredményezi.
- A be- és kimenő szellőzőnyílást az üzemeltetés során a jármű alkatrészei nem takarhatják el (pl. nyitott ajtó, vagy olyan tartozékok ráépítése, mint kerékpártartó).
- Olyan helyre telepítse a hűtőszekrényt, ahol nem éri túl nagy hőhatás, mivel ez a hűtőszekrény teljesítménycsökkenését és megnövekedett energiafogyasztását eredményezi.
- A hűtőszekrényt huzatmentes helyre kell telepíteni.

4.2 A hűtőszekrény huzatmentes beépítése



FIGYELMEZTETÉS! Tűzveszély!

- A huzatmentes beszereléshez ne használjon gyúlékony anyagokat, például szilikonos tömítőanyagokat, szerelőhabot vagy hasonlót.
- Úgy helyezze el a készüléket, hogy egyetlen csatlakozókábel se sérüljön vagy csípődjön be.
- Ne használjon elosztót vagy hordozható adaptert a készülék mögött.

A lakókocsikban vagy lakóautókban használt gázüzemű hűtőszekrényeket huzatmentesen kell beépíteni. Ez azt jelenti, hogy az égési levegő nem vehető el a beltérből, és a füstgázok lakótérbe való közvetlen bejutását meg kell akadályozni.

A hűtőszekrény hátoldala és a jármű beltere között megfelelő szigetelést kell elhelyezni.

Célszerű rugalmas tömítőanyagokat használni, amelyek a karbantartási céllal történő be- és kiszerezést egyszerűvé teszik.

Alkalmazza a következő ábrán szemléltetett három szivárgásmentes beépítési módszer egyikét: **(8)**. ábra, 7. oldal):

Ütközőléc a hűtőszekrény mögött (A)

- Ragassza a rugalmas tömítőajkakat **(1)** a hűtőszekrény **(3)** mögé egy ütközőlécre **(2)**.
- Tolja rá a hűtőszekrény-sütő kombinációt a rugalmas tömítőajkakkal ellátott ütközőlécekre.
- ✓ A hűtőszekrény mögötti terület el van szigetelve a jármű belső terétől.

Legfeljebb 5 mm-es oldalsó hézag a hűtőszekrény és a bútor között (B)

- Ragassza a tömítőajkakat (lásd: „Tartozékok” feje., 251. oldal) a bútor oldalára **(4)**.
- Tolja rá a hűtőszekrény-sütő kombinációt a bútoron lévő rugalmas tömítőajkakra.
- ✓ A hűtőszekrény mögötti terület el van szigetelve a jármű belső terétől.

5 - 10 mm-es oldalsó hézag a hűtőszekrény és a bútor között (C)

- ▶ Ragassza a duplaajkú tömítést (lásd: „Tartozékok” fej., 251. oldal) a bútor oldalára (4).
- ▶ Tolja rá a hűtőszekrény-sütő kombinációt a bútoron lévő duplaajkú tömítésre.
- ✓ A hűtőszekrény mögötti terület el van szigetelve a jármű belső terétől.

4.3 Be- és kimenő szellőzőnyílások elkészítése



MEGJEGYZÉS

- A ki- és bemenet változatai közötti eltéréseket az alábbi ábra szemlélteti, azokhoz a gyártó jóváhagyása szükséges.
- Magas környezeti hőmérsékletek esetén a hűtőszekrény csak optimális be- és kimenő szellőztetés esetén képes maximális hűtőteljesítménye leadására.

- ▶ Készítsen egy be-, és egy kimenő szellőzőnyílást a külső falba.

451 mm x156 mm.

Vegye figyelembe a megjegyzéseket is, lásd: „A beszerelés előkészítése” fej., 252. oldal.

Ha a bemenő szellőzőnyílás szellőzőrácsa nem építhető be tömítetten a bemélyedésbe, akkor a padlóba szellőzőnyílást kell építeni. Így az esetlegesen kiszivárgó gáz lefelé fog folyni.

- ▶ Készítsen a hűtőszekrény mögött a gázégő területén egy legalább 40 mm átmérőjű levegőbevezető nyílást a padlóban (9. ábra 1, 8. oldal).
- ▶ Takarja le a nyílás külső részét terelőelemmel, hogy az utazás során szennyeződés vagy sár ne juthasson be rajta keresztül (9. ábra 2, 8. oldal).

Ha a levegőkifúvó nyílás helyett tetőszellőzést kell használnia:

- ▶ Készítsen egy keretes kivágást a tetőbe. A megfelelő méretezést a tetőszellőző útmutatójában találhatja meg.
- Vegye figyelembe a megjegyzéseket is, lásd: „A beszerelés előkészítése” fej., 252. oldal.

4.4 A szellőzőrács felszerelése



MEGJEGYZÉS

A biztonságos üzemelés érdekében kizárólag eredeti Dometic szellőzőrácsokat használjon.

Szám, lásd: 10. ábra, 8. oldal	Megnevezés
1	Beépítési keret
2	Szellőzőnyílás
3	Tolózár
4	Téli burkolat a szellőzőrács számára (tartozékok)
5	Adapter a kondenzátum levezetőcsőhöz

- ▶ Tömítse a szerelőkeretet, hogy a csatlakozás vízálló legyen (11. ábra, 8. oldal).
- ▶ Helyezze be a beépítési keretet és csavarokkal rögzítse azt (12. ábra, 8. oldal). Ehhez az összes rögzítőfuratot vegye igénybe.
- ▶ Az tömlő adaptert a következő ábrán látható módon szerelje fel: (13. ábra 1, 9. oldal).
- ▶ A szellőzőrácsot az ábrán látható módon illesztheti vissza (14. ábra, 9. oldal).

4.5 A kondenzvíz-elvezető cső beszerelése



MEGJEGYZÉS

- A gyakori ajtónyitás, a nem megfelelően tárolt élelmiszerek és a behelyezéskor túlságosan meleg ételek miatt kondenzáció képződhet a hűtőszekrény belsejében.
- A kondenzvizet állandó lejtés mellett szükséges elvezetni.

Szerelje be a kondenzvíz-elvezető csövet az alábbi módon:

- ▶ Rögzítse a kondenzációs tömlőjét közvetlenül a szellőzőrácsra lévő adapterhez (13. ábra 2 9. oldal).

4.6 A tetőszellőző szerelése

Szám, lásd: 15. ábra, 9. oldal	Megnevezés
1	Fedél
2	Beépítési keret

- ▶ Tömítse a szerelőkeretet, hogy a csatlakozás vízálló legyen (16. ábra, 9. oldal).
- ▶ Helyezze be a beépítési keretet és csavarokkal rögzítse azt (17. ábra, 10. oldal). Ehhez az összes rögzítőfuratot vegye igénybe.
- ▶ Helyezze fel a fedelet és csavarokkal rögzítse azt (18. ábra, 10. oldal).

4.7 A hűtőszekrény rögzítése



VIGYÁZAT!

A furatokat minden esetben az erre a célra szolgáló perselyekbe készítse, ellenkező esetben a habanyaggal rögzített alkatrészek, például a kábelek megsérülhetnek.



MEGJEGYZÉS

Az oldalfalakat vagy a felszerelt léceket úgy rögzítse, hogy a csavarok erősebb igénybevétel esetén (menet közben) is szilárdan rögzítsenek.

- ▶ Helyezze végleges helyzetébe a hűtőszekrényt.
- ▶ A hűtőszekrény oldalfalában található műanyag perselyen át tekerje be a csavarokat (19. ábra 1, 10. oldal) a fülke falába.
- ▶ Helyezze fel a fedőkupakokat (19. ábra 2, 10. oldal) a csavarfejekre.

5 A hűtőkészülék csatlakoztatása

5.1 Csatlakozás a gázellátásra



FIGYELMEZTETÉS! Ezeknek a figyelmeztetéseknek a figyelmen kívül hagyása súlyos sérüléshez vagy halálhoz vezethet. Egészségkárosodás veszélye

- A hűtőszekrényt csak szakember, a hatályos országos előírások és szabványok betartásával csatlakoztathatja a gázellátásra.
- Tömlőcsatlakozás használata **tilos**.
- Fémzáras csavarokkal végezze a csatlakoztatást.
- Semmiképpen ne vegye le a hűtőszekrény gázcsatlakozásán található (fehér) gázszűrőt.
- Csak ellenőrzött nyomáscsökkentő szeleppel és megfelelő fejrésszel rendelkező propán- vagy butángázpalackokat (földgázt vagy közüzemi gázt ne) használjon. Hasonlítsa össze az adattáblán lévő nyomásadatot a propán- vagy butángázpalack nyomásszabályozóján lévő nyomásadattal.
- A hűtőszekrény **kizárólag** az adattáblán megadott nyomással üzemeltethető.
- A hűtőszekrény **kizárólag** az adattáblán megadott gáztípussal üzemeltethető.
- Vegye figyelembe a helyileg engedélyezett nyomásokat. Csak olyan fix beállítású nyomásszabályozót használjon, amely megfelel a nemzeti előírásoknak.



MEGJEGYZÉS

Opcionálisan a Dometic rugalmas gázcsatlakozó tömlője is használható, hogy a telepítésnél elkerülhesse a megfeszítéseket.

A hűtőszekrénynek a gázvezetékbe szerelt záróberendezésen keresztül külön elzárhatónak kell lennie. A záróberendezésnek könnyen hozzáférhetőnek kell lennie.

- ▶ A hűtőszekrényt stabilan és feszülésmentesen csatlakoztassa a gázellátó hálózathoz (20. ábra, 10. oldal):



FIGYELMEZTETÉS! Robbanásveszély

Kiemelten fontos a következő meghúzási nyomatékok betartása:

Tétel itt: 20. ábra, 10. oldal	Megnevezés
1	M4 csavar (Torx TX20), Meghúzási nyomaték: 2 Nm
2	A hűtőszekrény gázcsatlakozása: M14 x 1,5 (d = 8 mm/ISO 8434 (DIN 2353))
3	Gázvezeték gyűrűs tengellyel (17-es méret), Meghúzási nyomaték: 25 Nm

- ▶ A szakszerű beszerelést követően végeztesen szivárgási és tömítettségi ellenőrzést egy arra illetékes szakemberrel.
Szerezze be az ellenőrzési tanúsítványt és adja át ezt megőrzésre a végfelhasználónak.

5.2 Csatlakoztatás egyenáramú és váltakozó áramú aljzathoz



FIGYELMEZTETÉS! Ezeknek a figyelmeztetéseknek a figyelmen kívül hagyása súlyos sérüléshez vagy halálhoz vezethet. Áramütés miatti veszély

Az elektromos telepítési és javítási munkákat a hatályos országos előírások és szabványok betartása mellett kizárólag villanyszerelő szakember végezheti el.



MEGJEGYZÉS

- Ne helyezze a készülék dugaszát közvetlenül a szellőzőrács mögé, mert az akadályozná a légáramlást, és víz fröccsenhetne a készülék dugaszára.
- A készülék váltakozó áramú csatlakozókábelének dugaszát tilos lerövidíteni.
- A csatlakozókábelt úgy kell vezetni, hogy az ne érjen hozzá az aggregát/égőfej forró alkatrészeihez vagy az éles szegélyekhez.
- A belső elektromos szerelvények módosítása vagy a hűtőszekrény belső kábelezéséhez egyéb elektromos komponens csatlakoztatása (pl. külső kiegészítő ventilátor) az összes szavatossági és garanciális igény érvénytelenné válásához vezet.
- Az RM10.5 és az RMS10.5 hűtőszekrény CI busz felülettel rendelkezik, amely egy azzal kompatibilis központi jármű-kijelzőről vezérelhető.

A hűtőszekrény kapcsolási rajza (21. ábra, 11. oldal)

Tétel itt: 21. ábra, 11. oldal	Megnevezés
1	1. ventilátor (ha az opcionális modul elérhető)
2	Opcionális modul (opció)
3	Egyenáramú sütő tápellátás (ha az opcionális modul elérhető)
4	Egyenáramú tápmodul
5	NTC 2: külső hőmérséklet (opcionális)
6	NTC 1: Friss élelmiszer hőmérséklet érzékelő
7	Gázcsap
8	Világítás
9	Reed kapcsoló
10	S+ (választható)
11	Egyenáramú fűtőelem
12	15 A biztosíték
13	Egyenáramú relé a fűtőpatronhoz
14	Gáz bemenet

Tétel itt:**21. ábra, Megnevezés
11. oldal**

15	Egyenáramú csatlakozóblokk
16	Egyenáramú elektronika tápkábel
17	Fűtőelem egyenáramú tápkábele
18	CI busz kapcsolat
19	Váltakozó áramú csatlakozó
20	Váltakozó áramú fűtőelem
21	Földelés
22	Váltakozó áramú védőföldelés
23	Gyújtóelektróda
24	Hálózati modul
25	Kijelzőmodul

Egyenáram**FIGYELMEZTETÉS! Tűzveszély**

- A fűtőelem tápvezetékét 15 A-es biztosítókkal kell ellátni.
- Az elektronika tápvezetékét 2 A-es biztosítókkal kell ellátni.

**FIGYELEM!**

Az elektronika egyenáramú csatlakozóinak pozitív és negatív tápvezetékei (21. ábra 16, 11. oldal), valamint a fűtőegység (21. ábra 17, 11. oldal) **nem** csatlakoztathatók egymáshoz és nem köthetők egyetlen éren. Ellenkező esetben az elektromos alkatrészek zavaró elektromos impulzusokat kaphatnak, illetve károsodhatnak.

Vegye figyelembe a következő vezeték-keresztmetszeteket (22. ábra, 13. oldal):


- Csatlakozás, fűtőelem:
 - <6 m (beltérben): $\geq 6 \text{ mm}^2$
 - >6 m (beltérben): $\geq 10 \text{ mm}^2$
 - Kábelbevezetés vonórúdon keresztül (csak lakókocsiknál): $\geq 2,5 \text{ mm}^2$
- Csatlakozások, elektronika: $\geq 0,75 \text{ mm}^2$
- D+ és S+ csatlakozások: $\geq 0,75 \text{ mm}^2$

- A következőképpen szerelje össze az egyenáramú aljzatot (21. ábra, 11. oldal):
 - Csatlakoztassa az **A** és a **C** csatlakozót az akkumulátor pozitív pólusára.
 - Csatlakoztassa a **D** és az **F** csatlakozót a földelésre.
 - Csatlakoztassa a **B** csatlakozót a D+ jelhez.
Az üzemelő járműmotor felismerésére a hűtőszekrény elektronikája a generátor D+ jelét használja. A hűtőszekrény automatikus üzemmódban kiválasztja a legtakarékosabb rendelkezésre álló üzemelési lehetőséget. Ha a jármű motorja üzemel, akkor a hűtőszekrény csak egyenáramról működik.
 - Csatlakoztassa az **E** csatlakozót a CI-buszra.
- Csatlakoztassa a **10** csatlakozót az S+ jelhez (opcionális).
- Védje az **A** tápvezetékét 2 A-es biztosítékkal a jármű áramelosztó dobozában.
- Védje a **C** tápvezetékét 15 A-es biztosítékkal a jármű áramelosztó dobozában.
- Vezesse át egy gyújtásvezérelt relén a **C** tápvezetékét.
Ez megakadályozza, hogy teljesen lemerüljön az akkumulátor, ha véletlenül lekapcsolják a motort.

Váltakozó áram

- Csatlakoztassa a hűtőszekrény csatlakozódugaszát egy váltakozó áramú aljzathoz.

6 Műszaki adatok

	RM10.5(S)(T)	RMS10.5(S)(T)	RMS10.5X(S)(T)
Csatlakozási feszültség:	230 V~ / 50 Hz 12 V==		
Kapacitás			
Bruttó kapacitás:	88 l	78 l	92 l
Hűtőrekesz:	78,7 l	69,1 l	80,3 l
Fagyasztórekesz:	9,2 l	9,2 l	12,1 l
Teljes nettó kapacitás:	86 l	76 l	90 l
Fagyasztórekesz nélkül			
Bruttó kapacitás:	93 l	83 l	98 l
Nettó úrtartalom:	91 l	81 l	96 l
Áramellátás bemenet:	135 W (230 V~) 130 W (12 V==)		
Energiafogyasztás:	2,8 kWh/24 h (230 V~)	2,5 kWh/24 h (230 V~)	3,2 kWh/24 h (230 V~)
Gázfogyasztás:	270 g / 24 óra		
A gázcsatlakoztatás nyomása:	30 mbar		
Klímaosztály:	SN		
Méreték (szélesség x magasság x mélység):	821 x 523 x 548 mm		821 x 523 x 603 mm
Súly:	28 kg	27,4 kg	29 kg
Vizsgálat/tanúsítvány:			

Készüléke aktuális EU-megfelelőségi nyilatkozatát a dometic.com honlap megfelelő termékoldalán találhatja meg, vagy vegye fel a kapcsolatot közvetlenül a gyártóval (lásd a hátoldalon).

Pred vgradnjo in prvo uporabo natančno preberite ta navodila in jih shranite. Ob morebitni predaji drugemu uporabniku ne pozabite priložiti tudi teh navodil.



NASVET

Napotke za upravljanje najdete v navodilih za uporabo.

Kazalo

1	Razlaga simbolov	264
2	Varnostni napotki	265
3	Dodatna oprema	267
4	Vgradnja hladilnika	267
5	Priključitev hladilnika	274
6	Tehnični podatki	278

1 Razlaga simbolov



OPOZORILO!

Varnostni napotek opozarja na nevarno situacijo, ki lahko povzroči smrt ali hude poškodbe, če ni preprečena.



POZOR!

Varnostni napotek opozarja na nevarno situacijo, ki lahko povzroči lažjo ali srednje hudo poškodbo, če ni preprečena.



OBVESTILO!

Napotek na situacijo, ki lahko povzroči materialno škodo, če ni preprečena.



NASVET

Dopolnilne informacije za upravljanje izdelka.

2 Varnostni napotki

Proizvajalec ne prevzame odgovornosti za škode v naslednjih primerih:

- napake pri montaži ali priključitvi
- poškodbe izdelka zaradi mehanskih vplivov in nepravilna priključna napetost
- spremembe na proizvodu brez izrecnega dovoljenja proizvajalca
- uporaba v druge namene, kot so opisani v navodilih



OPOZORILO! Neupoštevanje teh opozoril lahko povzroči smrt ali hude poškodbe.

Nevarnost eksplozije

- Nikoli ne odpirajte absorpcijskega agregata. Je pod visokim tlakom in če bi ga odprli, lahko povzroči poškodbe.
- Hladilnik sme **izključno** obratovati le s tlakom, ki je naveden na tipski tablici. Uporabljajte samo fiksno nastavljene regulatorje tlaka, ki ustrezajo nacionalnim predpisom (v Evropi je to standard EN 12864).

Nevarnost požara

- Če uporabite silikonsko tesnilno maso ali podobno, pazite, da delo opravite čisto in brez ostankov mase. Če silikonske niti pridejo v stik z vročimi deli ali odprtim ognjem, obstoji nevarnost požara.
- Tesnosti hladilnika nikoli ne preverjajte z odprtim ognjem.
- Uporabite le plin propan ali butan (**ne** zemeljskega plina).

Nevarnost za zdravje

- Če ste na hladilniku opazili vidne poškodbe, ga ne smete uporabljati.
- Če je priključni kabel za izmenični tok tega hladilnika poškodovan, ga mora zamenjati proizvajalec, njegova servisna služba oziroma ustrezno usposobljena oseba ali služba. V nasprotnem primeru obstaja nevarnost za uporabnika.
- Vsa popravila na tem hladilniku naj opravijo samo primerno usposobljeni serviserji. Nestrokovno opravljena popravila lahko povzročijo precejšnjo nevarnost.

Nevarnost zadržitev

- Preden star hladilnik odstranite med odpadke, demontirajte vsa vrata hladilnika, ne odstranite polic v hladilniku, da preprečite nenamerno zapiranje in zadržitev.

**POZOR! Neupoštevanje teh svaril lahko povzroči lažje ali srednje poškodbe.****Električni udar**

- Pred vklopom naprave vedno preverite, ali sta vtič in priključni kabel suha.

Nevarnost zmečkanja

- Ne posegajte v tečaj.

**OBVESTILO! Nevarnost poškodb**

- Med transportom fiksirajte hladilnik le na korpusu. Hladilnika nikoli ne fiksirajte na absorpcijskem agregatu, hladilnih rebrih, plinskih napeljavah, vratih ali upravljalnem zaslonu.
- Pri transportu pazite, da ne poškodujete hladilnega krogotoka. Hladilno sredstvo v hladilnem krogotoku je lahko vnetljivo. Ob poškodbi hladilnega krogotoka (vonj po amoniaku):
 - Po potrebi izklopite hladilnik.
 - Preprečujte odprt ogenj in vžigalne iskre.
 - Prostor dobro zračite.
- Hladilnika ne vgraditev bližino odprtega ognja ali drugih toplotnih virov (grelci, plinske peči itd.).
- **Nevarnost pregretja!**

Vedno pazite na to, da se toplota, ki se sprošča med delovanjem, zadostno odvaja. Skrbite za to, da je razmik med hladilnikom in sosednjimi stenami in predmeti tak, da zrak lahko kroži.
- Primerjajte podatke o napetosti na tipski ploščici z dejanskim razpoložljivim energetskega napajanjem.
- Nikakor ne odpirajte hladilnega krogotoka.
- Hladilnik priključite v vtičnico izmeničnega toka le s pripadajočim priključnim kablom za izmenični tok.
- Uporabite le kabel z ujemajočim prečnim prerezom vodnika.
- Vtiča iz vtičnice nikoli ne vlecite tako, da držite za priključni kabel.
- Hladilnik ne sme biti izpostavljen dežju.

3 Dodatna oprema

Opis

Upogljivi plinski cevovod

Tesnilo za neprepustno vgradnjo za reže od 1 – 5 mm (sl. **8 B**, stran 6)

Tesnilo za neprepustno vgradnjo za reže od 5 – 10 mm (sl. **8 C**, stran 6)

Zimski pokrov WA 130 za prezračevalno rešetko LS 200

Kabel adapterja

- WAGO v CEE
- WAGO v UK
- WAGO v JST
- WAGO v MATE-N-LOK

Izbirni ventilatorski komplet REF-FANKIT

Izbirni komplet baterij R10-BP za samostojni način delovanja na plin

Izbirni komplet za shranjevanje

4 Vgradnja hladilnika



POZOR! Nevarnost za zdravje

Da bi preprečili nevarnost zaradi nestabilnosti naprave, jo je treba pritrditi v skladu s temi navodili.



Priložnik za zamenjavo vratnega zapirala in dekorativne plošče je na voljo na spletu na naslovu: „dometic.com/manuals“.

Ta naprava je primerna za namestitve v:

- prikolicah;
- avtomobilih.

4.1 Priprava vgradnje



OBVESTILO!

- Hladilnika ni dovoljeno vgraditi v zadnji del avtodoma z vrati obrnjene v smeri vožnje.
- Da zagotovite varno delovanje, uporabljajte samo originalne prezračevalne rešetke Dometic.

Pri vgradnji hladilnika upoštevajte naslednje napotke:

- Tla morajo biti trdna in ravna.
Zato vozilo parkirajte na ravnem terenu.
- Hladilnik mora biti izravnán.
- Hladilnik je treba vgraditi tako, da
 - je dobro dostopen za servisiranje;
 - ga je mogoče z lahkoto demontirati in vgraditi;
 - ga je mogoče brez težav odnesti iz vozila.
- Hladilnik mora biti vgrajen v nišo, da pri premikanju vozila ostane na mestu. Pri tem upoštevajte naslednje dimenzije (sl. **1**, stran 3 in sl. **2**, stran 4):

	RM10.5(S)(T)	RMS10.5(S)(T)	RMS10.5X(S)(T)
Hladilnik			
	Skupne dimenzije v mm		
Višina (A)	821	821	821
Širina (B)	523	523	523
Globina (C) (ne vključuje upravljalnega gumba 5 mm)	548	548	603
Niša			
	Dimenzije v mm		
Višina (H)	≥824	≥824	≥824
Širina (W)	≥525,5	≥525,5	≥525,5
Globina (D)	≥563	≥563	≥618

- Zunanja stena mora imeti odprtino za dovod (sl. **3** 1, stran 4) in odvod zraka (sl. **3** 2, stran 4) s prezračevalno rešetko, da se lahko nastala toplota brez težav odvaja ven:
 - Odprtina za dovod zraka: prezračevalno rešetko namestite čim bolj plosko na površino vgradne niše.
 - Odprtina za odvod zraka: čim višje nad hladilnikom.
 - Razdalja med odprtinama za dovod in odvod zraka mora znašati najmanj 1050 mm (sl. **4**, stran 4).
- Nad hladilnikom namestite toplotno-prevodno ploščo (sl. **4** 1, stran 4), da se toplota ne kopiči v vozilu.
- Hladilnik mora biti od zadnje stene odmaknjen najmanj 15 in največ 25 mm.
- Če je hladilnik od zadnje stene odmaknjen več kot 25 mm, bo njegovo delovanje slabše, poraba hladilnika pa višja. Da zagotovite zadostno dovajanje in odvajanje zraka, ustrezno zmanjšajte prostor za hladilnikom (sl. **5**, stran 5). V ta namen uporabite npr. prezračevalno ploščo.
- Če ne morete zagotoviti minimalne razdalje med odprtino za dovod in odvod zraka, je treba namesto odprtine za odvod zraka vgraditi stropni odzračevalnik.
 - Stropni odzračevalnik vgradite neposredno nad zadnjo stran hladilnika in čim višje. Uporabite zračni kanal (sl. **6** 1, stran 5), če morate stropni odzračevalnik vgraditi zamaknjeno, sicer se bo tukaj kopičila toplota.
 - Razdalja med odprtino za dovod zraka in stropnim odzračevalnikom mora biti najmanj 900 mm (sl. **6**, stran 5).
 - Če imate vgrajeno strešno klimatsko napravo, mora razdalja med stropnim odzračevalnikom (sl. **7** 1, stran 6) in odprtino za odvod zraka v klimatski napravi (sl. **7** 2, stran 6) znašati najmanj 300 mm.
- Hladilnika ne vgradite z odprtinama za dovod in odvod zraka ob strani, ker bo tako slabše deloval, poraba električne energije pa bo višja.
- Med delovanjem deli vozila (npr. odprta vrata ali nameščena dodatna oprema, kot je denimo nosilec za kolesa) ne smejo prekrivati odprtin za dovod in odvod zraka.
- Hladilnik vgradite tako, da bo zaščiten pred prekomernim toplotnim sevanjem, ker bo tako slabše deloval, poraba električne energije pa bo višja.
- Hladilnik je treba vgraditi na neprepustnem mestu.

4.2 Vgradnja hladilna na neprepustnem mestu



OPOZORILO! Nevarnost požara!

- Za neprepustno vgradnjo ni dovoljeno uporabiti vnetljivih materialov, kot so silikonske tesnilne mase, pena in podobno.
- Napravo namestite tako, da se priključni kabel ne bo poškodoval ali ne bo stisnjen.
- Za napravo ne uporabljajte razdelilnih vtičnic ali prenosnih električnih adapterjev.

Plinski hladilniki morajo biti v avtomodih ali prikolicah vgrajeni na neprepustnem mestu. To pomeni, da se zgorevalni zrak ne zajema iz notranjosti, izpušni plini pa nimajo neposrednega dostopa do bivalnega prostora.

Med hrbtno steno hladilnika in notranjostjo vozila je treba zagotoviti ustrezno tesnjenje.

Proizvajalec priporoča uporabo prožnega tesnila, ki poenostavi demontažo in vgradnjo v primeru vzdrževalnih del.

Za neprepustno vgradnjo uporabite eno od treh različic (sl. **8**, stran 7):

Pritrdilna letev za hladilnikom (A)

- Prilepite prožno tesnilno lamelo (**1**) na pritrdilno letev (**2**) za hladilnikom (**3**).
- Kombinacijo hladilnika in pečice potisnite na pritrdilno letev s prožnimi tesnilnimi lamelami.
- ✓ Prostor za hladilnikom je tako zatesnjen proti notranjosti vozila.

Stranski razmik do 5 mm med hladilnikom in pohištvom (B)

- Nalepite tesnila (glejte pogl. „Dodatna oprema“ na strani 267) ob strani na pohištvo (**4**).
- Kombinacijo hladilnika in pečice potisnite ob prilagodljiva tesnila na pohištvo.
- ✓ Prostor za hladilnikom je tako zatesnjen proti notranjosti vozila.

Stranski razmik 5 mm do 10 mm med hladilnikom in pohištvom (C)

- Nalepite dvostransko tesnilo (glejte pogl. „Dodatna oprema“ na strani 267) ob strani na pohištvo (**4**).
- Kombinacijo hladilnika in pečice potisnite ob dvostransko tesnilo na pohištvo.
- ✓ Prostor za hladilnikom je tako zatesnjen proti notranjosti vozila.

4.3 Izdelava odprtín za dovod in odvod zraka



NASVET

- Odstopanja od izvedb odprtín za dovod in odvod zraka mora odobriti proizvajalec.
- Pri visokih temperaturah okolice lahko hladilnik zagotovi svojo največjo moč hlajenja le, če je poskrbljeno za optimalno dovajanje in odvajanje zraka.

- V zunanji steni izdelajte po eno prezračevalno in odzračevalno odprtino 451 mm x156 mm.

Pri tem upoštevajte napotke, glejte pogl. „Priprava vgradnje“ na strani 268.

Če prezračevalne rešetke za odprtino za dovod zraka ne morete vgraditi v nivoju tal vgradne niše, odprtino za dovod zraka naredite v tleh. Tako se bo plin, ki bi morda uhajal, širil navzdol.

- Zadaj za hladilnikom v območju plinskega gorilnika v tleh izdelajte prezračevalno odprtino s \varnothing vsaj 40 mm (sl. **9** 1, stran 8).
- Zunanjo stran odprtine zavarujte z loputo, da blato ali umazanija med vožnjo ne bosta vdiralá skozi. (sl. **9** 2, stran 8).

Če morate namesto odprtine za odvod zraka uporabiti stropni odzračevalnik:

- V streho izrežite luknjo. Potrebne mere so navedene v navodilih za stropni odzračevalnik.
- Pri tem upoštevajte informacije, navedene v pogl. „Priprava vgradnje“ na strani 268.

4.4 Namestitev prezračevalne rešetke



NASVET

Da zagotovite varno delovanje, uporabljajte samo originalne prezračevalne rešetke Dometic.

Št. na sl. 10 , stran 8	Opis
1	Vgradni okvir
2	Prezračevalna rešetka
3	Drsnik
4	Zimski pokrov za prezračevalno rešetko (dodatki)
5	Adapter za gibko cev za izpust kondenzata

- Zatesnite vgradni okvir, da bo spoj vodoodporen (sl. **11**, stran 8).
- Vstavite vgradni okvir in ga trdno privijačite (sl. **12**, stran 8). Uporabite vse odprtine za vijake.
- Adapter gibke cevi namestite, kot je prikazano (sl. **13** 1, stran 9).
- Vstavite prezračevalno rešetko, kot je prikazano (sl. **14**, stran 9).

4.5 Vgradnja kondenzacijskega odtoka



NASVET

- V hladilniku se lahko zaradi pogostega odpiranja vrat, nepravilno hranjenih živil ali živil, ki jih v hladilnik damo tople, nabere kondenzat.
- Kondenzat je treba odvajati pod stalnim naklonom.

Vgradite kondenzacijski odtok, kot je navedeno v nadaljevanju:

- Kondenzacijsko cev pritrdite neposredno na adapter na prezračevalni rešetki (sl. **13** 2, stran 9).

4.6 Montiranje stropnega odzračevalnika

Št. na sl. 15 , stran 9	Opis
1	Pokrov
2	Vgradni okvir

- ▶ Zatesnite vgradni okvir, da bo spoj vodoodporen (sl. **16**, stran 9).
- ▶ Vstavite vgradni okvir in ga trdno privijačite (sl. **17**, stran 10). Uporabite vse odprtine za vijake.
- ▶ Namestite pokrov in ga trdno privijačite (sl. **18**, stran 10).

4.7 Pritrjevanje hladilnika



POZOR!

Vedno vrtajte skozi za to predvidene šobe, ker se sicer lahko poškodujejo deli, obdani s peno, kot so vodniki.



NASVET

Stranice ali pritrjene letve pritrdite tako, da vijaki čvrsto držijo tudi v primeru večjih obremenitev (med vožnjo).

- ▶ Hladilnik postavite na mesto, kjer ga boste uporabljali.
- ▶ Vijake (sl. **19** 1, stran 10) privijte skozi plastični ovoj v stranskih stenah hladilnika in naprej v steno.
- ▶ Glave vijakov prekrijte s pokrovčki (sl. **19** 2, stran 10).

5 Priključitev hladilnika

5.1 Priključitev na dovod plina



OPOZORILO! Neupoštevanje teh opozoril lahko povzroči smrt ali hude poškodbe. Nevarnost za zdravje

- Le strokovnjak sme hladilnik priključiti na dovod plina v skladu z veljavnimi nacionalnimi predpisi in standardi.
- Uporaba cevnega priključka **ni** dovoljena.
- Uporabite kovinsko zaprti vijaki spoj.
- Filtra za plin (belega) v priključku za dovod plina v hladilnik ni dovoljeno odstraniti.
- Uporabljajte le plinske jeklenke s propanom ali butanom (ne zemeljskega ali mestnega plina), ki so opremljene z odobrenim tlačnim reducirnim ventilom in primernim priključnim delom. Primerjajte tlak, ki je naveden na tipski ploščici, s tlakom na regulatorju tlaka propanске ali butanske jeklenke.
- Hladilnik sme **izključno** obratovati le pri tlaku, ki je naveden na tipski ploščici.
- Hladilnik sme **izključno** obratovati le z vrsto plina, ki je navedena na tipski ploščici.
- Upoštevajte tlake, ki so dovoljeni v vaši državi. Uporabljajte samo fiksno nastavljene regulatorje tlaka, ki ustrezajo nacionalnim predpisom.



NASVET

Izbirno lahko uporabite prožno plinsko priključno cev Dometic, da sistem ne bo napet.

Dovod plina v hladilnik iz plinskega voda mora biti možno posebej zapreti z zaporno enoto. Zaporna enota mora biti dobro dostopna.

- Hladilnik z roko dobro priključite na dovod plina (sl. 20, stran 10):



OPOZORILO! Nevarnost eksplozije

Zelo pomembno je, da upoštevate naslednje pritezne momente:

Element na sl. 20, stran 10 Opis

1	Vijak M4 (križni TX20), Navor zategovanja: 2 Nm
2	Priključek za plin na hladilniku: M14 x 1,5 (d = 8 mm/ISO 8434 (DIN 2353))
3	Plinska cev s tesnilnim obročkom (velikost 17), Navor zategovanja: 25 Nm

- Po montaži, ki jo opravi strokovnjak, naj pooblaščen serviser opravi še preskus uhajanja plina in preskus s plamenom.
Izdati mora potrdilo o preizkusih, ki ga morate izročiti končnemu uporabniku, da ga shrani.

5.2 Priključitev na enosmerni in izmenični tok



OPOZORILO! Neupoštevanje teh opozoril lahko povzroči smrt ali hude poškodbe. Nevarnost električnega udara

Električno napeljavo in popravila sme izvajati le strokovnjak v skladu z veljavnimi nacionalnimi predpisi in standardi.



NASVET

- Vtič aparata naj ne bo neposredno za prezračevalno rešetko, da ne bo oviral kroženja zraka in ne bo izpostavljen škropljenju vode.
- Vtiča aparata na priključnem kablu na izmenični tok ni dovoljeno odrezati.
- Priključni kabli morajo biti speljani tako, da ne pridejo v stik z vročimi deli aparata/gorilnika ali ostrimi robovi.
- Če boste spreminjali notranjo električno napeljavo ali priključili druge električne naprave (npr. dodaten ventilator drugega proizvajalca) na notranje ožičenje hladilnika, bodo vsakršni garancijski zahtevki in odgovornost za izdelek nični.
- Hladilnika RM10.5 in RMS10.5 imata vmesnik z vodilom CI in ju je mogoče upravljati z združljivega prikazovalnika v vozilu.

Shema tokokroga hladilnika (sl. 21, stran 11)

Element na sl. 21, stran 11	Opis
1	Ventilator 1 (če izbirni modul je na voljo)
2	Izbirni modul (izbirno)
3	Napajanje pečice na enosmerni tok (če izbirni modul je na voljo)
4	Napajanje na enosmerni tok za močnostni modul
5	NTC 2: zunanja temperatura (opcija)
6	NTC 1: Senzor sveže hrane in temperature
7	Plinski ventil
8	Razsvetljava
9	Stikalo reed
10	S+ (izbirno)
11	Grelni element na enosmerni tok
12	15 A varovalka
13	Rele za enosmerni tok za grelni vložek
14	Vhod plina
15	Priključni blok za enosmerni tok
16	Napajalni kabel za enosmerni tok za elektroniko
17	Napajalni kabel za enosmerni tok za grelni element
18	Priključek vhoda za vodilo CI
19	Napajanje na izmenični tok
20	Grelni element na izmenični tok
21	Ozemljitev
22	Ozemljitvena zaščita izmeničnega toka
23	Vžigalna elektroda
24	Močnostni modul
25	Prikazovalni modul

Napajanje na enosmerni tok



OPOZORILO! Nevarnost požara

- Napajalni vod do grelnega elementa mora biti zavarovan z 15 A varovalko.
- Napajalni vod do elektronike mora biti zavarovan z 2 A varovalko.



OBVESTILO!

Posamezni pozitivni in negativni napajalni vodi priključkov enosmernega toka za elektroniko (sl. **21** 16, stran 11) in grelni element (sl. **21** 17, stran 11) **ne** smejo biti združeni in izvedeni z eno žico. Sicer lahko pride do motenj v električnem napajanju ali poškodb električnih delov.


Upoštevajte naslednje preseke kablov (sl. **22**, stran 13):

- Priključni grelnega elementa:
 - <6 m (v notranjosti): $\geq 6 \text{ mm}^2$
 - >6 m (v notranjosti): $\geq 10 \text{ mm}^2$
 - Prek vlečne ojnice speljani kabli (samo prikolice): $\geq 2,5 \text{ mm}^2$
 - Priključki elektronike: $\geq 0,75 \text{ mm}^2$
 - Priključka D+ in S+: $\geq 0,75 \text{ mm}^2$
- Vtičnico za enosmerni tok namestite na naslednji način (sl. **21**, stran 11):
- Povežite A in **C** na pozitivni pol baterije.
 - Povežite **D** in **F** z ozemljitvijo.
 - Povežite **B** s signalom D+.
- Elektronika hladilnika za prepoznavanje delovanja motorja vozila uporablja signal D+ generatorja. Hladilnik v samodejnem načinu delovanja izbere najboljši način delovanja. Hladilnik deluje na enosmerni tok samo takrat, ko motor vozila teče.
- Povežite **E** na vodilo Cl.
- Povežite **10** s signalom S+ (izbirno).
- Zavarujte napajalni vod A z 2 A varovalko v delilniku napetosti vozila.
- Zavarujte napajalni vod **C** z 15 A varovalko v delilniku napetosti vozila.
- Dovod **C** speljite prek releja, krmiljenega s ključavnico za vžig. Tako preprečite, da se akumulator povsem izprazni, če motor pomotoma izklopite.

Napajanje na izmenični tok

- Hladilnik z njegovim vtičem priključite v vtičnico na izmenični tok.

6 Tehnični podatki

	RM10.5(S)(T)	RMS10.5(S)(T)	RMS10.5X(S)(T)
Priključna napetost:	230 V \sim /50 Hz 12 V \equiv		
Prostornina			
Bruto prostornina:	88 l	78 l	92 l
Hladilnik:	78,7 l	69,1 l	80,3 l
Zamrzovalni predal:	9,2 l	9,2 l	12,1 l
Skupna neto prostornina:	86 l	76 l	90 l
Brez zamrzovalnega predala			
Bruto prostornina:	93 l	83 l	98 l
Neto prostornina:	91 l	81 l	96 l
Napajanje:	135 W (230 V \sim) 130 W (12 V \equiv)		
Poraba električne energije:	2,8 kWh/24 h (230 V \sim)	2,5 kWh/24 h (230 V \sim)	3,2 kWh/24 h (230 V \sim)
Poraba plina:	270 g/24 h		
Tlak za prikllop plina:	30 mbar		
Klimatski razred:	SN		
Mere V x Š x G:	821 x 523 x 548 mm		821 x 523 x 603 mm
Masa:	28 kg	27,4 kg	29 kg
Pregled/certifikat:			

Za trenutno izjavo EU o skladnosti za vaš aparat glejte zadevno stran z izdelki na spletnem mestu dometic.com ali se obrnite neposredno na proizvajalca (glejte zadnjo stran).

Πριν από την έναρξη της χρήσης διαβάστε προσεκτικά αυτό το εγχειρίδιο και φυλάξτε το. Σε περίπτωση μεταπώλησης της συσκευής δώστε το εγχειρίδιο στον νέο χρήστη.



ΥΠΟΔΕΙΞΗ

Οδηγίες για τη λειτουργία θα βρείτε στο εγχειρίδιο χρήσης.

Περιεχόμενα

1	Επεξήγηση των συμβόλων	279
2	Υποδείξεις ασφαλείας	280
3	Προαιρετικά εξαρτήματα	282
4	Τοποθέτηση του ψυγείου	283
5	Σύνδεση του ψυγείου	290
6	Τεχνικά χαρακτηριστικά	295

1 Επεξήγηση των συμβόλων



ΠΡΟΕΙΔΟΠΟΙΗΣΗ!

Υπόδειξη ασφαλείας για μια επικίνδυνη κατάσταση, η οποία μπορεί να έχει ως συνέπεια την πρόκληση θανάτου ή σοβαρού τραυματισμού, εάν δεν αποφευχθεί.



ΠΡΟΦΥΛΑΞΗ!

Υπόδειξη ασφαλείας για μια επικίνδυνη κατάσταση, η οποία μπορεί να έχει ως συνέπεια την πρόκληση τραυματισμού ελαφριάς ή μεσαίας σοβαρότητας, εάν δεν αποφευχθεί.



ΠΡΟΣΟΧΗ!

Υπόδειξη για μια κατάσταση, η οποία μπορεί να έχει ως συνέπεια την πρόκληση υλικών ζημιών, εάν δεν αποφευχθεί.



ΥΠΟΔΕΙΞΗ

Συμπληρωματικές πληροφορίες για το χειρισμό του προϊόντος.

2 Υποδείξεις ασφαλείας

Στις παρακάτω περιπτώσεις ο κατασκευαστής δεν αναλαμβάνει καμία ευθύνη για ζημιές:

- Σφάλμα τοποθέτησης ή σύνδεσης
- Ζημιές στο προϊόν λόγω μηχανικών επιδράσεων και λανθασμένης τάσης σύνδεσης
- Μετατροπές στο προϊόν χωρίς τη ρητή άδεια του κατασκευαστή
- Χρήση για άλλους σκοπούς από ότι περιγράφεται στις οδηγίες



ΠΡΟΕΙΔΟΠΟΙΗΣΗ! Η μη τήρηση αυτών των προειδοποιήσεων ενδέχεται να έχει ως αποτέλεσμα την πρόκληση θανάτου ή σοβαρού τραυματισμού.

Κίνδυνος έκρηξης

- Απαγορεύεται να ανοίξετε τον ψυκτικό μηχανισμό. Ο ψυκτικός μηχανισμός βρίσκεται υπό υψηλή πίεση και μπορεί να προκαλέσει τραυματισμούς, αν ανοιχθεί.
- Το ψυγείο επιτρέπεται να τίθεται σε λειτουργία **μόνο** με την πίεση που αναγράφεται στην πινακίδα τύπου. Χρησιμοποιείτε μόνο σταθερά ρυθμισμένους ρυθμιστές πίεσης που ανταποκρίνονται στους εθνικούς κανονισμούς (στην Ευρώπη EN 12864).

Κίνδυνος πυρκαγιάς

- Αν χρησιμοποιήσετε στεγανοποιητική σιλικόνη ή παρεμφερές υλικό, η κατεργασία πρέπει να γίνει σωστά και χωρίς υπολείμματα. Υπάρχει κίνδυνος πυρκαγιάς αν ίνες σιλικόνης έρθουν σε επαφή με καυτά εξαρτήματα ή με φλόγες.
- Μην ελέγχετε ποτέ τη στεγανότητα του ψυγείου με ανοιχτή φλόγα.
- Χρησιμοποιείτε μόνο βουτάνιο ή προπάνιο (**ποτέ** φυσικό αέριο).

Κίνδυνος για την υγεία

- Εάν το ψυγείο παρουσιάσει εμφανείς ζημιές δεν επιτρέπεται να το θέσετε σε λειτουργία.
- Αν προκληθεί ζημιά στο καλώδιο εναλλασσομένου ρεύματος του ψυγείου, τότε για την αποφυγή κινδύνων το καλώδιο πρέπει να αντικατασταθεί από τον κατασκευαστή, το Τμήμα Εξυπηρέτησης Πελατών ή από ειδικευμένο τεχνικό.

- Οι εργασίες επισκευής του ψυγείου επιτρέπεται να διεξάγονται μόνο από ειδικευμένο τεχνικό προσωπικό. Από λανθασμένες εργασίες επισκευής μπορεί να προκύψουν σοβαροί κίνδυνοι.

Κίνδυνος ασφυξίας

- Κατά την απόσυρση του ψυγείου αποσυναρμολογήστε όλες τις πόρτες του ψυγείου και αφήστε τα ράφια μέσα στο ψυγείο, ώστε να μην κλειστεί κάποιος μέσα κατά λάθος.



ΠΡΟΦΥΛΑΞΗ! Η μη τήρηση αυτών των συστάσεων ενδέχεται να έχει ως αποτέλεσμα την πρόκληση ελαφρού ή μέτριου τραυματισμού.

Ηλεκτροπληξία

- Προσέχετε πριν από την έναρξη λειτουργίας να είναι στεγνά το καλώδιο και το βύσμα.

Κίνδυνος σύνθλιψης

- Μη βάζετε τα χέρια σας στο μεντεσέ.



ΠΡΟΣΟΧΗ! Κίνδυνος ζημιάς

- Κατά τη μεταφορά κρατήστε το ψυγείο γερά μόνο από το σώμα του. Ποτέ μην κρατάτε το ψυγείο από τον ψυκτικό μηχανισμό, από τα πτερύγια ψύξης, από τα σωληνάκια αερίου, από την πόρτα ή από την πρόσοψη οργάνων.

- Κατά τη μεταφορά δεν επιτρέπεται να προκληθεί ζημιά στο κύκλωμα ψύξης. Το ψυκτικό μέσο στο κύκλωμα ψύξης είναι ιδιαίτερα εύφλεκτο.

Σε περίπτωση ζημιάς στο κύκλωμα ψύξης (οσμή αμμωνίας):

- Αν χρειάζεται, απενεργοποιήστε το ψυγείο.
- Αποφύγετε τις ανοικτές εστίες και τους σπινθήρες ανάφλεξης.
- Αερίστε καλά το χώρο.
- Μην τοποθετείτε το ψυγείο κοντά σε ανοικτές φλόγες ή σε άλλες πηγές θερμότητας (θέρμανση, φούρνος αερίου κ.α.).
- **Κίνδυνος υπερθέρμανσης!**
Κατά τη λειτουργία φροντίζετε πάντα ώστε να απομακρύνεται επαρκώς η θερμότητα που δημιουργείται. Φροντίστε να τοποθετείτε το ψυγείο σε επαρκή απόσταση από τους τοίχους ή τα αντικείμενα ώστε να διευκολύνεται η κυκλοφορία του αέρα.
- Συγκρίνετε την τιμή τάσης στην πινακίδα χαρακτηριστικών με την υπάρχουσα ηλεκτρική τροφοδοσία.
- Απαγορεύεται να ανοίξετε το κύκλωμα ψύξης.

- Συνδέετε το ψυγείο σε μια πρίζα με εναλλασσόμενο ρεύμα μόνο με το αντίστοιχο καλώδιο σύνδεσης.
- Χρησιμοποιείτε μόνο καλώδια με κατάλληλη διατομή.
- Μην τραβάτε το φιν από το καλώδιο σύνδεσης για να το αποσυνδέσετε από την πρίζα.
- Το ψυγείο δεν πρέπει να εκτίθεται στη βροχή.

3 Προαιρετικά εξαρτήματα

Περιγραφή

Εύκαμπτος σωλήνας αερίου

Λάστιχο στεγανοποίησης αεροστεγούς τοποθέτησης για διάκενα 1 – 5 mm
(σχ. **8 B**, σελίδα 6)

Λάστιχο στεγανοποίησης αεροστεγούς τοποθέτησης για διάκενα 5 – 10 mm
(σχ. **8 C**, σελίδα 6)

Χειμερινό κάλυμμα WA 130 για το πλέγμα αερισμού LS 200

Καλώδιο προσαρμογέας

- WAGO σε CEE
- WAGO σε UK
- WAGO σε JST
- WAGO σε MATE-N-LOK

Προαιρετικό κιτ ανεμιστήρα REF-FANKIT

Προαιρετικό πακέτο μπαταριών Pack R10-BP για ανεξάρτητη λειτουργία με αέριο

Προαιρετικό κιτ αποθήκευσης

4 Τοποθέτηση του ψυγείου



ΠΡΟΦΥΛΑΞΗ! Κίνδυνος για την υγεία

Για την αποφυγή τυχόν κινδύνων λόγω αστάθειας της συσκευής, πρέπει να στερεώνεται σύμφωνα με τις οδηγίες.



Το εγχειρίδιο οδηγιών για την αλλαγή του στοπ πόρτας και της διακοσμιακής πλάκας θα το βρείτε online στη διεύθυνση: «dometic.com/manuals».

Η συσκευή είναι κατάλληλη για τοποθέτηση σε:

- συρόμενα τροχόσπιτα
- αυτοκινούμενα τροχόσπιτα

4.1 Προετοιμασία τοποθέτησης



ΠΡΟΣΟΧΗ!

- Το ψυγείο δεν επιτρέπεται να τοποθετηθεί στο πίσω μέρος των αυτοκινούμενων τροχόσπιτων με την πόρτα προς την κατεύθυνση κίνησης.
- Χρησιμοποιήστε αποκλειστικά τα γνήσια πλέγματα αερισμού της Dometic, για να διασφαλίσετε την ασφαλή λειτουργία.

Κατά την τοποθέτηση του ψυγείου, λάβετε υπόψη τις παρακάτω οδηγίες:

- Βεβαιωθείτε ότι το δάπεδο είναι σταθερό και επίπεδο. Σταθμεύστε το όχημα σε οριζόντιο έδαφος για τον σκοπό αυτό.
- Βεβαιωθείτε ότι το ψυγείο βρίσκεται σε οριζόντια θέση.
- Το ψυγείο πρέπει να εγκαθίσταται κατά τέτοιον τρόπο, ώστε
 - να είναι εύκολα προσβάσιμο για τις εργασίες σέρβις
 - να μπορεί να αφαιρεθεί και να τοποθετηθεί εύκολα
 - να μπορεί να αφαιρεθεί εύκολα από το όχημα

- Το ψυγείο πρέπει να τοποθετηθεί σε μια εσοχή, ώστε να παραμένει ασφαλισμένο, όταν το όχημα κινείται. Λάβετε υπόψη τις παρακάτω διαστάσεις (σχ. **1**, σελίδα 3 και σχ. **2**, σελίδα 4):

	RM10.5(S)(T)	RMS10.5(S)(T)	RMS10.5X(S)(T)
Ψυγείο	Συνολικές διαστάσεις σε mm		
Ύψος (A)	821	821	821
Πλάτος (B)	523	523	523
Βάθος (C) (Δεν συμπεριλ. το κουμπί ρύθμισης 5 mm)	548	548	603
Εγκοπή	Διαστάσεις σε mm		
Ύψος (H)	≥824	≥824	≥824
Πλάτος (W)	≥525,5	≥525,5	≥525,5
Βάθος (D)	≥563	≥563	≥618

- Στον εξωτερικό τοίχο πρέπει να ανοίξετε ένα άνοιγμα αερισμού (σχ. **3** 1, σελίδα 4) και ένα άνοιγμα εξαερισμού (σχ. **3** 2, σελίδα 4) με πλέγματα αερισμού, ώστε η εκλυόμενη θερμότητα να μπορεί να διαφεύγει εύκολα προς τα έξω:
 - Άνοιγμα αερισμού: Τοποθετήστε το πλέγμα αερισμού κατά το δυνατόν στο ίδιο επίπεδο με τη βάση της εσοχής τοποθέτησης.
 - Άνοιγμα εξαερισμού: όσο πιο ψηλά γίνεται, επάνω από το ψυγείο.
 - Η απόσταση ανάμεσα στο άνοιγμα αερισμού και στο άνοιγμα εξαερισμού πρέπει να είναι τουλάχιστον 1050 mm (σχ. **4**, σελίδα 4).
- Στην επάνω πλευρά του ψυγείου, τοποθετήστε ένα έλασμα απαγωγής θερμότητας (σχ. **4** 1, σελίδα 4), ώστε η θερμότητα να μην συσσωρεύεται στο όχημα.
- Η απόσταση ανάμεσα στο ψυγείο και στον πίσω τοίχο πρέπει να είναι τουλάχιστον 15 mm, αλλά δεν επιτρέπεται να υπερβαίνει τα 25 mm.
- Μια απόσταση επάνω από 25 mm μεταξύ του ψυγείου και του πίσω τοίχου συνεπάγεται απώλειες ισχύος και αυξημένη κατανάλωση ενέργειας του ψυγείου. Μειώστε τον κενό χώρο πίσω από το ψυγείο, ώστε να επιτυγχάνεται επαρκής αερισμός και εξαερισμός (σχ. **5**, σελίδα 5). Χρησιμοποιήστε για τον σκοπό αυτό π.χ. ένα έλασμα απαγωγής αέρα.

- Εάν η ελάχιστη απόσταση μεταξύ του ανοίγματος αερισμού και του ανοίγματος εξαερισμού δεν μπορεί να τηρηθεί, αντί για άνοιγμα εξαερισμού πρέπει να τοποθετηθεί ένας ανεμιστήρας εξαερισμού οροφής.
 - Ο ανεμιστήρας εξαερισμού οροφής θα πρέπει να τοποθετηθεί κατά το δυνατόν ακριβώς επάνω από την πίσω πλευρά του ψυγείου. Εάν πρέπει να τοποθετήσετε τον ανεμιστήρα εξαερισμού οροφής σε άλλη θέση, χρησιμοποιήστε έναν αεραγωγό (σχ. **6** 1, σελίδα 5), ώστε να μην προκαλείται συσσώρευση θερμότητας.
 - Η απόσταση ανάμεσα στο άνοιγμα αερισμού και στον ανεμιστήρα εξαερισμού οροφής πρέπει να είναι τουλάχιστον 900 mm (σχ. **6**, σελίδα 5).
 - Εάν υπάρχει κλιματιστικό οροφής, η απόσταση ανάμεσα στον ανεμιστήρα εξαερισμού οροφής (σχ. **7** 1, σελίδα 6) και στην έξοδο αέρα του κλιματιστικού οροφής (σχ. **7** 2, σελίδα 6) πρέπει να είναι τουλάχιστον 300 mm.
- Το ψυγείο δεν επιτρέπεται να τοποθετηθεί με το πλάι προς τα ανοίγματα αερισμού και εξαερισμού, διότι κάτι τέτοιο συνεπάγεται απώλειες ισχύος και αυξημένη κατανάλωση ενέργειας του ψυγείου.
- Κατά τη λειτουργία, οι οπές αερισμού και εξαερισμού δεν επιτρέπεται να καλύπτονται από μέρη του οχήματος (π.χ. από ανοιχτή πόρτα ή από πρόσθετα εξαρτήματα, όπως στηρίγματα ποδηλάτων).
- Το ψυγείο πρέπει να τοποθετείται σε μέρος προστατευμένο από υπερβολική θερμική ακτινοβολία, καθώς σε αντίθετη περίπτωση θα προκληθούν απώλειες ισχύος και αυξημένη κατανάλωση ενέργειας του ψυγείου.
- Το ψυγείο πρέπει να τοποθετείται σε αεροστεγές σημείο.

4.2 Τοποθέτηση του ψυγείου σε αεροστεγές σημείο



ΠΡΟΕΙΔΟΠΟΙΗΣΗ! Κίνδυνος πυρκαγιάς!

- Για την αεροστεγή τοποθέτηση, μη χρησιμοποιείτε εύφλεκτα υλικά, όπως σιλικόνη στεγανοποίησης, αφρό συναρμολόγησης ή παρεμφερή υλικά.
- Τοποθετήστε τη συσκευή κατά τέτοιο τρόπο, ώστε να μην προκαλείται ζημιά ή σύνθλιψη σε κανένα καλώδιο σύνδεσης.
- Μη χρησιμοποιείτε πολύμπριζα ή φορητά τροφοδοτικά ρεύματος πίσω από τη συσκευή.

Τα ψυγεία των αυτοκινούμενων ή συρόμενων τροχόσπιτων, που λειτουργούν με αέριο, πρέπει να τοποθετούνται σε αεροστεγές σημείο. Αυτό σημαίνει ότι ο αέρας καύσης δεν λαμβάνεται από τον εσωτερικό χώρο και ότι αποτρέπεται η άμεση είσοδος των καυσαερίων στον χώρο διαβίωσης.

Ανάμεσα στην πίσω πλευρά του ψυγείου και στον εσωτερικό χώρο του οχήματος πρέπει να τοποθετηθεί ένα κατάλληλο λάστιχο στεγανοποίησης.

Ο κατασκευαστής συνιστά τη χρήση ενός εύκαμπτου λάστιχου στεγανοποίησης, ώστε να διευκολύνεται η αφαίρεση και η τοποθέτηση για τις εργασίες συντήρησης.

Επιλέξτε μία από τις τρεις παραλλαγές αεροστεγούς τοποθέτησης (σχ. **8**, σελίδα 7):

Μπάρα συγκράτησης πίσω από το ψυγείο (A)

- ▶ Κολλήστε με κόλλα ένα εύκαμπτο χείλος στεγανοποίησης (1) σε μια μπάρα συγκράτησης (2) πίσω από το ψυγείο (3).
- ▶ Σπρώξτε τον συνδυασμό ψυγείου-φούρνου μέχρι την μπάρα συγκράτησης με τα εύκαμπτα χείλη στεγανοποίησης.
- ✓ Ο χώρος πίσω από το ψυγείο έχει στεγανοποιηθεί προς το εσωτερικό του οχήματος.

Διάσταση πλευρικού διακένου έως και 5 mm μεταξύ του ψυγείου και του επίπλου (B)

- ▶ Κολλήστε με κόλλα τα χείλη στεγανοποίησης (βλέπε κεφάλαιο «Προαιρετικά εξαρτήματα» στη σελίδα 282) στο πλάι του επίπλου (4).
- ▶ Σπρώξτε τον συνδυασμό ψυγείου-φούρνου επάνω στα εύκαμπτα χείλη στεγανοποίησης στο έπιπλο.
- ✓ Ο χώρος πίσω από το ψυγείο έχει στεγανοποιηθεί προς το εσωτερικό του οχήματος.

Διάσταση πλευρικού διακένου 5 mm έως 10 mm μεταξύ του ψυγείου και του επίπλου (C)

- ▶ Κολλήστε με κόλλα τη στεγανοποίηση διπλού χείλους (βλέπε κεφάλαιο «Προαιρετικά εξαρτήματα» στη σελίδα 282) στο πλάι του επίπλου (4).
- ▶ Σπρώξτε τον συνδυασμό ψυγείου-φούρνου επάνω στη στεγανοποίηση διπλού χείλους στο έπιπλο.
- ✓ Ο χώρος πίσω από το ψυγείο έχει στεγανοποιηθεί προς το εσωτερικό του οχήματος.

4.3 Διάνοιξη ανοιγμάτων αερισμού και εξαερισμού



ΥΠΟΔΕΙΞΗ

- Τυχόν αποκλίσεις από τις παραλλαγές αερισμού και εξαερισμού, που εικονίζονται εδώ, πρέπει να εγκριθούν από τον κατασκευαστή.
- Σε υψηλές θερμοκρασίες περιβάλλοντος, το ψυγείο μπορεί να επιτύχει τη μέγιστη ψυκτική ισχύ του μόνο εάν έχει διασφαλιστεί ο ιδανικός αερισμός και εξαερισμός.

- Ανοίξτε στον εξωτερικό τοίχο ένα άνοιγμα αερισμού και ένα άνοιγμα εξαερισμού μεγέθους

451 mm x156 mm.

Προσέξτε ταυτόχρονα τις σχετικές πληροφορίες, βλέπε κεφάλαιο «Προετοιμασία τοποθέτησης» στη σελίδα 283.

Εάν το πλέγμα στο άνοιγμα αερισμού δεν μπορεί να τοποθετηθεί στο ίδιο επίπεδο με το δάπεδο της εσοχής τοποθέτησης, θα πρέπει να διανοίξετε ένα άνοιγμα αερισμού στο δάπεδο του οχήματος. Έτσι, σε περίπτωση διαρροής αερίου, το αέριο θα μπορεί να διαφύγει προς τα κάτω.

- Διανοίξτε πίσω από το ψυγείο, στην περιοχή του καυστήρα αερίου, ένα άνοιγμα αερισμού με διάμετρο τουλάχιστον \varnothing 40 mm στο δάπεδο (σχ. **9** 1, σελίδα 8).
- Προστατεύστε την εξωτερική πλευρά του ανοίγματος με λασπωτήρα, ώστε να μην εισχωρούν λάσπες και ρύποι στον εσωτερικό χώρο, κατά την κίνηση του οχήματος (σχ. **9** 2, σελίδα 8).

Εάν αντί για άνοιγμα εξαερισμού πρέπει να χρησιμοποιήσετε ανεμιστήρα εξαερισμού οροφής:

- Κατασκευάστε ένα αντίστοιχο άνοιγμα στην οροφή. Ανατρέξτε στο εγχειρίδιο οδηγιών του ανεμιστήρα εξαερισμού οροφής για τις απαιτούμενες διαστάσεις.

Προσέξτε ταυτόχρονα τις σχετικές πληροφορίες στο κεφάλαιο «Προετοιμασία τοποθέτησης» στη σελίδα 283.

4.4 Τοποθέτηση του πλέγματος αερισμού



ΥΠΟΔΕΙΞΗ

Χρησιμοποιήστε αποκλειστικά τα γνήσια πλέγματα αερισμού της Dometic, για να διασφαλίσετε την ασφαλή λειτουργία.

Θέση στο σχ. 10 , σελίδα 8	Περιγραφή
1	Πλαίσιο τοποθέτησης
2	Πλέγμα αερισμού
3	Σύρτης
4	Κάλυμμα χειμώνα για το πλέγμα αερισμού (προαιρετικά εξαρτήματα)
5	Προσαρμογέας για τον εύκαμπτο σωλήνα αποστράγγισης συμπυκνωμάτων

- ▶ Στεγανοποιήστε το πλαίσιο τοποθέτησης, για να επιτευχθεί υδατοστεγής σύνδεση (σχ. **11**, σελίδα 8).
- ▶ Τοποθετήστε το πλαίσιο τοποθέτησης και βιδώστε το σφιχτά (σχ. **12**, σελίδα 8). Χρησιμοποιήστε όλες τις οπές στερέωσης για τον σκοπό αυτό.
- ▶ Τοποθετήστε τον προσαρμογέα εύκαμπτου σωλήνα σύμφωνα με το (σχ. **13** 1, σελίδα 9).
- ▶ Τοποθετήστε το πλέγμα αερισμού σύμφωνα με την απεικόνιση (σχ. **14**, σελίδα 9).

4.5 Τοποθέτηση του σωλήνα αποστράγγισης συμπυκνωμάτων



ΥΠΟΔΕΙΞΗ

- Νερό συμπυκνώματος μπορεί να σχηματιστεί στο εσωτερικό του ψυγείου λόγω πολύ συχνού ανοίγματος της πόρτας, λανθασμένης αποθήκευσης τροφίμων ή αποθήκευσης φαγητού στο ψυγείο, ενώ είναι ακόμη πολύ ζεστό.
- Το νερό συμπυκνώματος πρέπει να αποστραγγίζεται με συνεχή κλίση.

Τοποθετήστε τον σωλήνα αποστράγγισης συμπυκνωμάτων ως εξής:

- ▶ Στερεώστε τον εύκαμπτο σωλήνα νερού συμπυκνώματος απευθείας στον προσαρμογέα, στο πλέγμα αερισμού (σχ. **13** 2 σελίδα 9).

4.6 Τοποθέτηση του ανεμιστήρα εξαερισμού οροφής

Θέση στο σχ. 15 , σελίδα 9	Περιγραφή
1	Κάλυμμα
2	Πλαίσιο τοποθέτησης

- ▶ Στεγανοποιήστε το πλαίσιο τοποθέτησης, για να επιτευχθεί υδατοστεγής σύνδεση (σχ. **16**, σελίδα 9).
- ▶ Τοποθετήστε το πλαίσιο τοποθέτησης και βιδώστε το σφιχτά (σχ. **17**, σελίδα 10). Χρησιμοποιήστε όλες τις οπές στερέωσης για τον σκοπό αυτό.
- ▶ Τοποθετήστε το κάλυμμα και βιδώστε το σφιχτά (σχ. **18**, σελίδα 10).

4.7 Στερέωση του ψυγείου



ΠΡΟΦΥΛΑΞΗ!

Το βίδωμα πρέπει να πραγματοποιείται μόνο μέσω των προβλεπόμενων σημείων, καθώς σε διαφορετική περίπτωση μπορεί να υποστούν ζημιές τα εξαρτήματα που είναι ενσωματωμένα στο αφρώδες υλικό, όπως π.χ. τα καλώδια.



ΥΠΟΔΕΙΞΗ

Στερεώστε τα πλευρικά τοιχώματα ή τις τοποθετημένες λωρίδες κατά τέτοιον τρόπο, ώστε οι βίδες να συγκρατούν σταθερά τη συσκευή, ακόμη και σε περίπτωση αυξημένης καταπόνησης (κατά την κίνηση του οχήματος).

- ▶ Φέρτε το ψυγείο στην τελική του θέση.
- ▶ Βιδώστε τις βίδες (σχ. **19** 1, σελίδα 10) μέσα από τις πλαστικές υποδοχές στα πλευρικά τοιχώματα του ψυγείου και στη συνέχεια στο τοίχωμα της εσοχής τοποθέτησης.

- Τοποθετήστε τα καπάκια (σχ. **19** 2, σελίδα 10) επάνω στις κεφαλές των βιδών.

5 Σύνδεση του ψυγείου

5.1 Σύνδεση στην τροφοδοσία αερίου



ΠΡΟΕΙΔΟΠΟΙΗΣΗ! Η μη τήρηση αυτών των προειδοποιήσεων ενδέχεται να έχει ως αποτέλεσμα την πρόκληση θανάτου ή σοβαρού τραυματισμού. **Κίνδυνος για την υγεία**

- Το ψυγείο επιτρέπεται να συνδέεται στην τροφοδοσία αερίου μόνο από ειδικευμένο τεχνικό και σύμφωνα με τους ισχύοντες εθνικούς κανονισμούς και τα ισχύοντα εθνικά πρότυπα.
- Η σύνδεση εύκαμπτου σωλήνα **δεν** επιτρέπεται.
- Χρησιμοποιήστε μια βιδωτή σύνδεση με μεταλλικό περίβλημα.
- Το φίλτρο αερίου (λευκό) στη σύνδεση αερίου του ψυγείου δεν πρέπει να αφαιρεθεί.
- Χρησιμοποιείτε μόνο φιάλες προπανίου ή βουτανίου (όχι φυσικό αέριο ή αέριο πόλης) με εγκεκριμένη βαλβίδα μείωσης πίεσης και κατάλληλη κεφαλή. Συγκρίνετε τα στοιχεία πίεσης της πινακίδας τύπου με την πίεση που αναγράφεται στον ρυθμιστή πίεσης της φιάλης προπανίου ή βουτανίου.
- Το ψυγείο επιτρέπεται να τίθεται σε λειτουργία **μόνο** με την πίεση, που αναγράφεται στην πινακίδα τύπου.
- Το ψυγείο επιτρέπεται να τίθεται σε λειτουργία **μόνο** με τον τύπο αερίου, που αναγράφεται στην πινακίδα τύπου.
- Παρακαλούμε να λάβετε υπόψη τις τιμές πίεσης, που επιτρέπονται στη χώρα σας. Χρησιμοποιείτε μόνο ρυθμιστές πίεσης σταθερής ρύθμισης, που ανταποκρίνονται στους εθνικούς κανονισμούς.



ΥΠΟΔΕΙΞΗ

Προαιρετικά μπορείτε να χρησιμοποιήσετε τον εύκαμπτο σωλήνα σύνδεσης αερίου της Dometic, για να αποφευχθεί η πρόκληση μηχανικών τάσεων στην εγκατάσταση.

Το ψυγείο πρέπει να μπορεί να απομονώνεται από τον σωλήνα αερίου μέσω ενός ξεχωριστού διακόπτη. Ο διακόπτης αυτός πρέπει να είναι εύκολα προσβάσιμος.

- Συνδέστε το ψυγείο σταθερά με το χέρι στην παροχή αερίου (σχ. 20, σελίδα 10):



ΠΡΟΕΙΔΟΠΟΙΗΣΗ! Κίνδυνος έκρηξης

Η τήρηση των παρακάτω τιμών ροπής σύσφιξης είναι ιδιαίτερα σημαντική:

Θέση στο σχ. 20, σελίδα 10	Περιγραφή
1	Βίδα M4 (Torx TX20), ροπή σύσφιξης: 2 Nm
2	Σύνδεση αερίου του ψυγείου: M14 x 1,5 (d = 8 mm/ISO 8434 (DIN 2353))
3	Σωλήνας αερίου με δακτυλιοειδή σύνδεσμο (μέγεθος 17), ροπή σύσφιξης: 25 Nm

- Αναθέστε σε έναν εξουσιοδοτημένο και ειδικευμένο τεχνικό την πραγματοποίηση ενός ελέγχου διαρροής και ενός ελέγχου φλόγας μετά από την επαγγελματική τοποθέτηση. Βεβαιωθείτε ότι εκδόθηκε πιστοποιητικό ελέγχου και παραδώστε αυτό το πιστοποιητικό στην τελικό χρήστη για φύλαξη.

5.2 Σύνδεση σε συνεχές και εναλλασσόμενο ρεύμα



ΠΡΟΕΙΔΟΠΟΙΗΣΗ! Η μη τήρηση αυτών των προειδοποιήσεων ενδέχεται να έχει ως αποτέλεσμα την πρόκληση θανάτου ή σοβαρού τραυματισμού. Κίνδυνος ηλεκτροπληξίας
 Η ηλεκτρική εγκατάσταση και οι σχετικές επισκευές επιτρέπεται να πραγματοποιούνται μόνο από ειδικευμένο ηλεκτρολόγο, σύμφωνα με τους ισχύοντες εθνικούς κανονισμούς και τα ισχύοντα εθνικά πρότυπα.

**ΥΠΟΔΕΙΞΗ**

- Το φινι της συσκευής δεν επιτρέπεται να τοποθετείται ακριβώς πίσω από το πλέγμα αερισμού, για να μην επηρεάζεται αρνητικά η κυκλοφορία του αέρα και για να προστατεύεται το φινι της συσκευής από τυχόν σταγόνες νερού.
- Το φινι του καλωδίου εναλλασσομένου ρεύματος της συσκευής δεν επιτρέπεται να κόβεται.
- Τα καλώδια σύνδεσης πρέπει να είναι τοποθετημένα κατά τέτοιον τρόπο, ώστε να μην έρχονται σε επαφή με τα θερμά μέρη της μονάδας / του καυστήρα ή με αιχμηρές ακμές.
- Οι αλλαγές στην εσωτερική ηλεκτρική εγκατάσταση ή η σύνδεση άλλων ηλεκτρικών εξαρτημάτων (π.χ. εξωτερικών πρόσθετων ανεμιστήρων) στην εσωτερική καλωδίωση του ψυγείου ακυρώνουν τυχόν αξιώσεις κάλυψης στο πλαίσιο της εγγύησης καλής λειτουργίας και της ευθύνης προϊόντος.
- Τα ψυγεία RM 10.5 και RMS 10.5 διαθέτουν μια διασύνδεση διαύλου CI και μπορούν να ελεγχθούν μέσω μιας συμβατής κεντρικής οθόνης του οχήματος.

Ηλεκτρολογικό διάγραμμα του ψυγείου (σχ. 21, σελίδα 11)

Θέση στο σχ. 21, σελίδα 11	Περιγραφή
1	Ανεμιστήρας 1 (εάν η μονάδα προαιρετικού εξοπλισμού είναι διαθέσιμη)
2	Μονάδα προαιρετικού εξοπλισμού (προαιρετικά)
3	Τροφοδοσία συνεχούς ρεύματος φούρνου (εάν η μονάδα προαιρετικού εξοπλισμού είναι διαθέσιμη)
4	Τροφοδοσία συνεχούς ρεύματος μονάδας τροφοδοσίας
5	NTC 2: Εξωτερική θερμοκρασία (προαιρετικά)
6	NTC 1: Αισθητήρας θερμοκρασίας φρέσκων τροφίμων
7	Βαλβίδα αερίου
8	Φωτισμός
9	Διακόπτης Reed
10	S+ (προαιρετικά)
11	Θερμαντικό στοιχείο συνεχούς ρεύματος

Θέση στο σχ. 21, σελίδα 11	Περιγραφή
12	Ασφάλεια 15 A
13	Ρελέ συνεχούς ρεύματος για το θερμαντικό στοιχείο
14	Είσοδος αερίου
15	Μπλοκ σύνδεσης συνεχούς ρεύματος
16	Καλώδιο τροφοδοσίας συνεχούς ρεύματος ηλεκτρονικού συστήματος
17	Καλώδιο τροφοδοσίας συνεχούς ρεύματος θερμαντικού στοιχείου
18	Σύνδεση διαύλου CI
19	Τροφοδοσία εναλλασσόμενου ρεύματος
20	Θερμαντικό στοιχείο εναλλασσόμενου ρεύματος
21	Γείωση
22	Προστασία εναλλασσόμενου ρεύματος, γείωση
23	Ηλεκτρόδιο ανάφλεξης
24	Μονάδα τροφοδοσίας
25	Μονάδα οθόνης

Συνεχές ρεύμα



ΠΡΟΕΙΔΟΠΟΙΗΣΗ! Κίνδυνος πυρκαγιάς

- Η γραμμή τροφοδοσίας προς το θερμαντικό στοιχείο πρέπει να προστατεύεται με ασφάλεια 15 A.
- Η γραμμή τροφοδοσίας προς το ηλεκτρονικό σύστημα πρέπει να προστατεύεται με ασφάλεια 2 A.



ΠΡΟΣΟΧΗ!

Οι αντίστοιχες θετικές και αρνητικές γραμμές τροφοδοσίας των συνδέσεων συνεχούς ρεύματος για το ηλεκτρονικό σύστημα (σχ. 21 16, σελίδα 11) και το θερμαντικό στοιχείο (σχ. 21 17, σελίδα 11) **δεν** επιτρέπεται να συνδεθούν μεταξύ τους και να τροφοδοτούνται από ένα μονό καλώδιο. Σε διαφορετική περίπτωση, μπορεί να προκληθούν ηλεκτρικές παρεμβολές ή βλάβη στα ηλεκτρικά εξαρτήματα.

Παρακαλούμε τηρήστε τις παρακάτω διατομές καλωδίων (σχ. **22**, σελίδα 13):

- Συνδέσεις θερμαντικού στοιχείου:
 - <6 m (στο εσωτερικό): $\geq 6 \text{ mm}^2$
 - >6 m (στο εσωτερικό): $\geq 10 \text{ mm}^2$
 - Τροφοδοσία καλωδίου μέσω της δοκού ρυμούλκησης (μόνο συρόμενα τροχόσπιτα): $\geq 2,5 \text{ mm}^2$
 - Συνδέσεις ηλεκτρονικών: $\geq 0,75 \text{ mm}^2$
 - Συνδέσεις D+ και S+: $\geq 0,75 \text{ mm}^2$
 - Συναρμολογήστε την πρίζα συνεχούς ρεύματος ως εξής (σχ. **21**, σελίδα 11):
 - Συνδέστε το **A** και το **C** στον θετικό πόλο της μπαταρίας.
 - Συνδέστε το **D** και το **F** με τη γείωση.
 - Συνδέστε το **B** στο σήμα D+.



Το ηλεκτρονικό σύστημα του ψυγείου χρησιμοποιεί το σήμα D+ του εναλλακτήρα, για να αναγνωρίζει πότε λειτουργεί ο κινητήρας. Στην αυτόματη λειτουργία, το ψυγείο επιλέγει τον πιο οικονομικό τρόπο λειτουργίας. Το ψυγείο λειτουργεί με συνεχές ρεύμα μόνο όσο λειτουργεί ο κινητήρας του οχήματος.

 - Συνδέστε το **E** στον δίαυλο CI-BUS.
 - Συνδέστε το **10** με το σήμα S+ (προαιρετικά).
 - Προστατέψτε τη γραμμή τροφοδοσίας **A** με μια ασφάλεια 2 A στο κουτί διανομής ρεύματος του οχήματος.
 - Προστατέψτε τη γραμμή τροφοδοσίας **C** με μια ασφάλεια 15 A στο κουτί διανομής ρεύματος του οχήματος.
 - Περάστε τη γραμμή τροφοδοσίας **C** μέσω ενός ρελέ, που ελέγχεται από το σύστημα ανάφλεξης.
- Με αυτόν τον τρόπο αποτρέπεται η πλήρης αποφόρτιση της μπαταρίας, εάν ο κινητήρας σβήσει κατά λάθος.

Εναλλασσόμενο ρεύμα

- Συνδέστε το ψυγείο σε μια πρίζα εναλλασσομένου ρεύματος, χρησιμοποιώντας το φισ της συσκευής.

6 Τεχνικά χαρακτηριστικά

	RM10.5(S)(T)	RMS 10.5(S)(T)	RMS 10.5X(S)(T)
Ηλεκτρική τάση σύνδεσης:	230 V~ /50 Hz 12 V---		
Χωρητικότητα			
Ολική χωρητικότητα:	88 l	78 l	92 l
Χώρος συντήρησης:	78,7 l	69,1 l	80,3 l
Χώρος κατάψυξης:	9,2 l	9,2 l	12,1 l
Συνολική ωφέλιμη χωρητικότητα:	86 l	76 l	90 l
Χωρίς τον χώρο κατάψυξης			
Ολική χωρητικότητα:	93 l	83 l	98 l
Ωφέλιμη χωρητικότητα:	91 l	81 l	96 l
Ισχύς εισόδου:	135 W (230 V~) 130 W (12 V---)		
Κατανάλωση ενέργειας:	2,8 kWh/24 h (230 V~)	2,5 kWh/24 h (230 V~)	3,2 kWh/24 h (230 V~)
Κατανάλωση αερίου:	270 g/24 h		
Πίεση σύνδεσης αερίου:	30 mbar		
Κλιματική κατηγορία:	SN		
Διαστάσεις Υ x Π x Β:	821 x 523 x 548 mm		821 x 523 x 603 mm
Βάρος:	28 kg	27,4 kg	29 kg
Έλεγχος / πιστοποίηση:	 		

Για την τρέχουσα Δήλωση συμμόρφωσης ΕΕ για τη συσκευή σας, παρακαλούμε να ανατρέξετε στην αντίστοιχη σελίδα προϊόντος στον ιστότοπο dometic.com ή να επικοινωνήσετε απευθείας με τον κατασκευαστή (βλέπε πίσω σελίδα).

Mobile living made easy.



dometic.com

**YOUR LOCAL
DEALER**

dometic.com/dealer

**YOUR LOCAL
SUPPORT**

dometic.com/contact

**YOUR LOCAL
SALES OFFICE**

dometic.com/sales-offices

A complete list of Dometic companies, which comprise the Dometic Group, can be found in the public filings of:
DOMETIC GROUP AB Hemvärnsgatan 15 SE-17154 Solna Sweden