

AL-KO

QUALITY FOR LIFE



AL-KO CLICK FIX MECHANICAL STEADY LEGS

www.al-ko.co.uk

80 *years*
1931 - 2011

AL-KO

AL-KO CLICK FIX - MECHANICAL STEADY LEGS

Your Advantage

Often, the most scenic pitches on camp sites are those on uneven or sloping terrain, therefore making it almost impossible to get a motorhome level and stable. The new Click Fix Mechanical Steady Legs from AL-KO have been specifically designed to be fitted to the AL-KO AMC Chassis and provide a level and stable support to motorhomes.

The easy to operate legs can be deployed within seconds of arriving on site. The legs will be safely stored above the line of the chassis during travel and once on site, with a simple turn of the mechanism, the legs swing down at right angles. Continued winding will extend the legs until they reach the ground and start to support the vehicle.

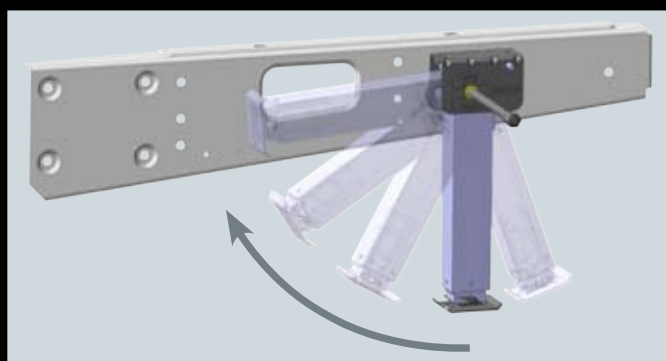
When it is time to leave the site, the legs can be quickly and efficiently raised in preparation for departure. By turning the mechanism, the legs will ascend back towards the chassis. When the legs reach the fully retracted position, they swing back up to clamp in position, in line with the chassis.

Safety

In the event that the Steady Legs are still on the ground when the vehicle is moved, the legs will automatically fold either forwards or backwards to avoid damage to the supports or chassis frame from the movement of the vehicle.

System

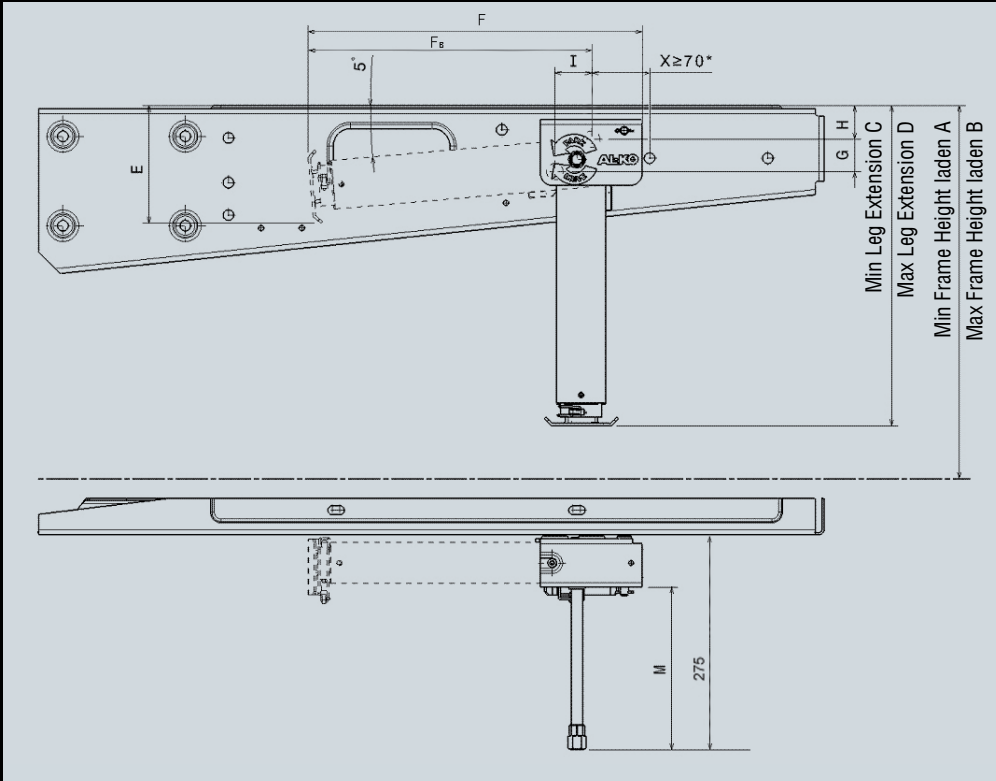
The robust AL-KO Steady Leg provides firm and stable support. They operate by turning the mechanism, allowing the legs to swing down to the correct angle before extending the support until it reaches the floor. When retracting, the legs will swing back to clamp in position in line with the chassis member.



Required Frame Height		Steady Leg Dimensions			Fixing Position Dimensions			Lowering Mechanism Length		Weight***	Part Number	
Min. A	Max. B	Min. C	Max. D	E	FB	F	G	H	I	M		
mm	mm	mm	mm	mm	mm	mm	mm	mm	mm	mm	in kgs	
310	424	281	445	140	302	364	40	41.5	45	200	7.2	1 239 362
320	440	297	464	142	320	382	40	41.5	45	200	7.3	1 239 363**
420	624	397	654	150	419	481	40	41.5	45	200	8.4	1 239 364**
460	710	446	744	155	469	531	40	41.5	45	200	8.9	1 239 365**
Complementary Products												
Galvanised Brace 665mm long										0.6	205 520	
Galvanised Brace 865mm long										0.8	267 363	

** Steady Legs Length can be changed by replacing the springs.

*** Complete set weight includes 2 legs and includes all fixings and brackets (0.8kg).



Technical Data

Static Load-carrying capacity - 1000 kg;
Dynamic Load-carrying capacity - 500 kg.

Selecting the correct AL-KO Steady Leg Kit

1. Determine Laden Framework height (Dimension 'A' on drawing).
2. With this dimension, confirm the part number for the appropriate kit from table opposite.
3. Ensure there is sufficient free space for the Steady Legs to stow correctly when not in use. Check length 'F' on the table opposite.

Fitting

AL-KO recommends having Click Fix Steady Legs fitted by an approved AL-KO Service Centre.

The steady legs can be fitted to the rear of the AL-KO AMC Chassis, at the front of the vehicle by the jacking point, or if fitted an AL-KO chassis extension.

Since August 1995, pre-drilled holes have been included on the chassis members to aid the fitment of steady legs. Prior to this date, holes were not included and should be drilled by an approved service centre.



Kit Contents

- 2 Steady Leg Supports
- Fixings & Brackets
- Fitting Instructions

Brace not included but can be ordered separately.

Material:

- Inner Tube: hot-dip galvanized
- Outer Tube: Aluminum